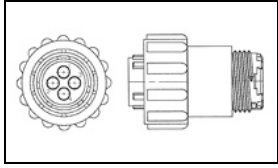


788153-2 Product Details



788153-2

TE Internal Number: 788153-2



CPC (Circular Plastic) and Circular Metal-Shell Connectors

 Always EU RoHS/ELV Compliant (Statement of Compliance)

Product Highlights:

- Housing
- Connector Style = Plug
- 4 Positions
- 4 Signal Positions
- 0 Power Positions

Documentation & Additional Information

Product Drawings:

- [PLUG ASSEMBLY, 11-4, REVERSE SEX, SERIES I, SEALED, CPC](#) (PDF, English)

Catalog Pages/Data Sheets:

- [AMP Circular Connectors for Commercial Signal & Powe...](#) (PDF, English)

Product Specifications:

- None Available

Application Specifications:

- None Available

Instruction Sheets:

- None Available

CAD Files: (CAD Format & Compression Information)

- [2D Drawing](#) (DXF, Version 0)
- [3D Model](#) (IGES, Version 0)
- [3D Model](#) (STEP, Version 0)

Related Products:

- [Tooling](#)
- [Mating Products \(2\)](#)

Product Features (Please use the Product Drawing for all design activity)

Product Type Features:

- Connector Type = Housing
- Mount Angle = Straight
- Shell Size = 11
- Shell Type = All Plastic
- Product Series = Series 1
- Thread Size = 5/8 - 24 UNEF-2A
- Sealed = Yes

Mechanical Attachment:

- Mount = Free Hanging
- Mating Retention Type = Threaded Coupling

Termination Features:

- Seal Type = Wire Entry

Contact Features:

- Contact Type = Pin
- Reverse Gender = Reverse

Housing Features:

- Connector Style = Plug
- Mating Alignment Type = Keyed
- Housing Material = Nylon 66
- Housing Color = Black

Configuration Features:

- Number of Positions = 4
- Number of Signal Positions = 4
- Number of Power Positions = 0
- Environmental Protection = With
- Reverse Numbering = Without

Industry Standards:

- VDE Tested = No
- RoHS/ELV Compliance = RoHS compliant, ELV compliant
- Lead Free Solder Processes = Not relevant for lead free process
- RoHS/ELV Compliance History = Always was RoHS compliant

Environmental:

- Fluid Resistance = Immersion

Other:

- Brand = AMP

4

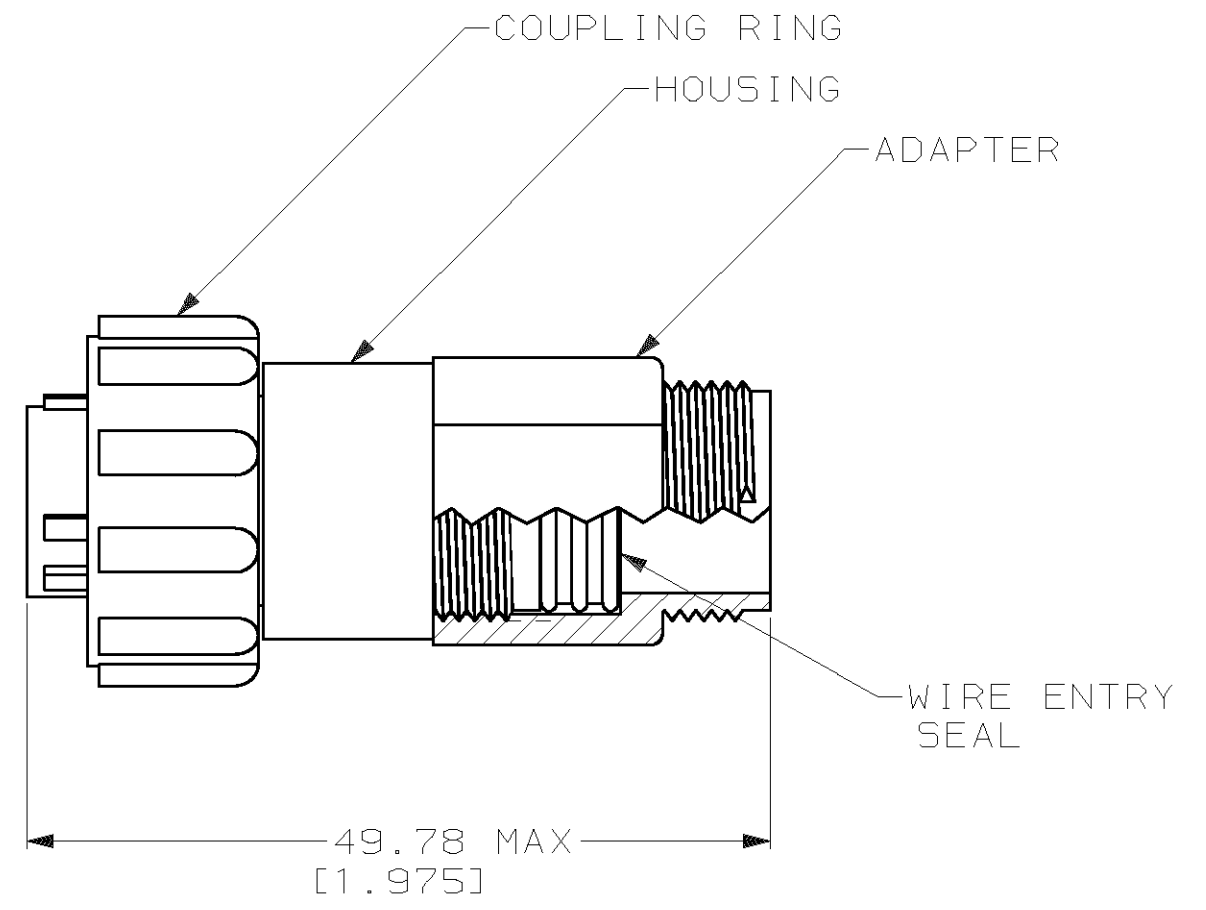
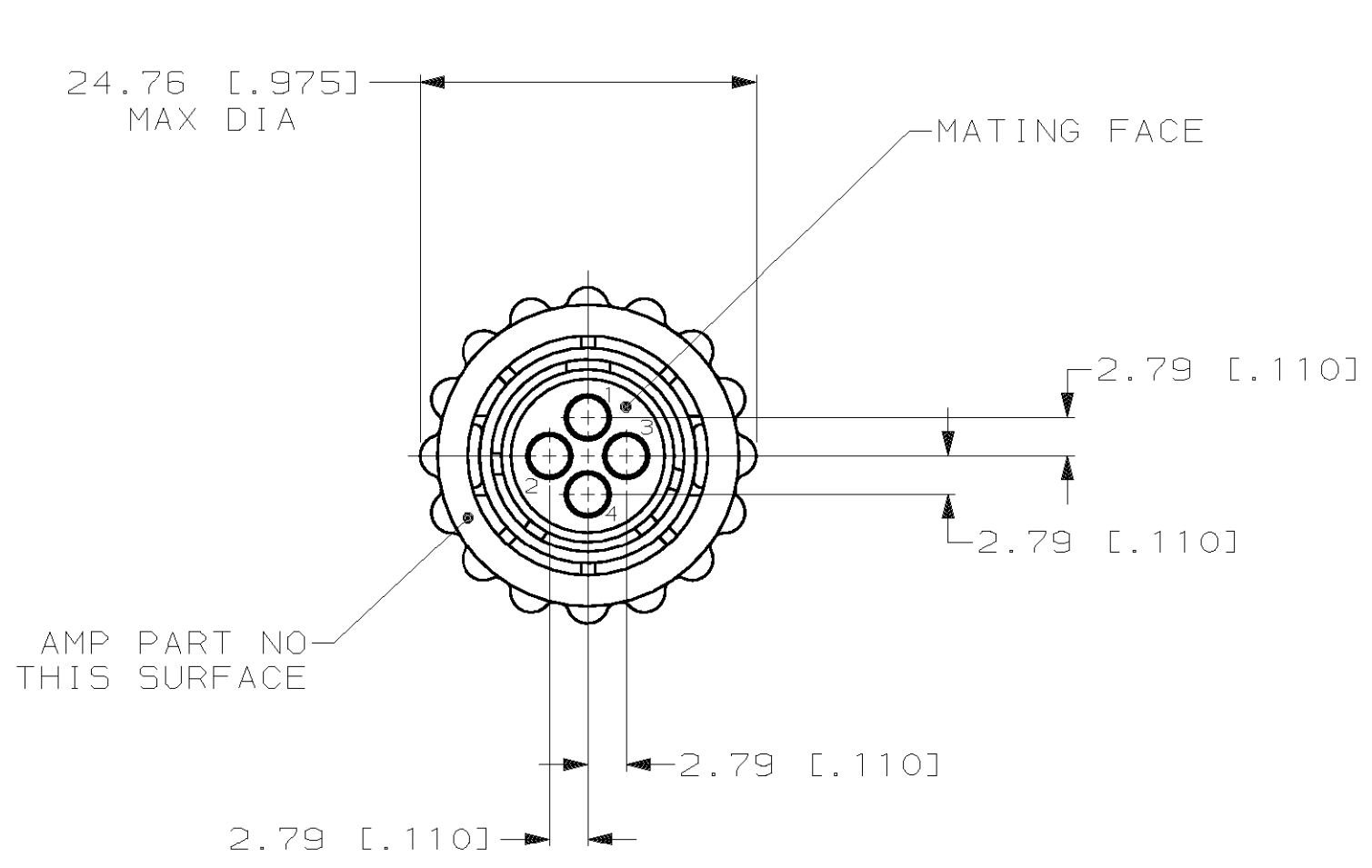
3

2

1

THIS DRAWING IS UNPUBLISHED. RELEASED FOR PUBLICATION ,19 .
 © COPYRIGHT 19 BY AMP INCORPORATED. ALL RIGHTS RESERVED.

LOC	DIST	REVISIONS			
P	LTR	DESCRIPTION	DATE	DWN	APVD
FT	0	0	RELEASED -2 PER NPR 5730	21 OCT 99	DH KD



- 1 HOUSING, COUPLING RING & ADAPTER: NYLON 6/6, BLACK.
WIRE ENTRY SEAL: ELASTOMER, RED.
- 2. THIS CONNECTOR WILL ACCEPT FOUR (4) MULTIMATE PIN CONTACTS.

788153-2
 PART NUMBER

THIS DRAWING IS A CONTROLLED DOCUMENT.		DWN P. BENNINGHOVE 01 OCT 97	AMP AMP Incorporated Harrisburg, PA 17105-3608	
DIMENSIONS: mm [INCHES]		CHK K. DOWHOWER 28 OCT 99		
TOLERANCES UNLESS OTHERWISE SPECIFIED:		APVD K. DOWHOWER 28 OCT 99	NAME PLUG ASSEMBLY, 11-4, REVERSE SEX, SERIES I, SEALED, CPC	
0 PLC ±-		PRODUCT SPEC 108-1579	SIZE CAGE CODE DRAWING NO RESTRICTED TO	
1 PLC ±-		APPLICATION SPEC 114-10038	A3 00779 C- 788153	
2 PLC ±0.13 [.005]		WEIGHT -	SCALE 2:1 SHEET 1 OF 1 REV 0	
3 PLC ±-		CUSTOMER DRAWING		
4 PLC ±-				
ANGLES ±-				
MATERIAL				
FINISH -				