



Have a Question?
 Chat with a Product
 Information Specialist

What can we help you find?

[Products](#) |
 [Industries](#) |
 [Resources](#) |
 [About TE](#) |
 [My Account](#) |
 [Innovation](#) |
 [Support Center](#)

206043-5 Product Details

[Share](#) |
 [Print](#) |
 [Email](#)



206043-5

TE Internal Number: 206043-5

Active

View 3D PDF

CPC (Circular Plastic) and Circular Metal-Shell Connectors

Always EU RoHS/ELV Compliant (Statement of Compliance)

Product Highlights:

- Housing
- Connector Style = Receptacle
- 14 Positions
- 14 Signal Positions
- 0 Power Positions

[View all Features](#)

Quick Links

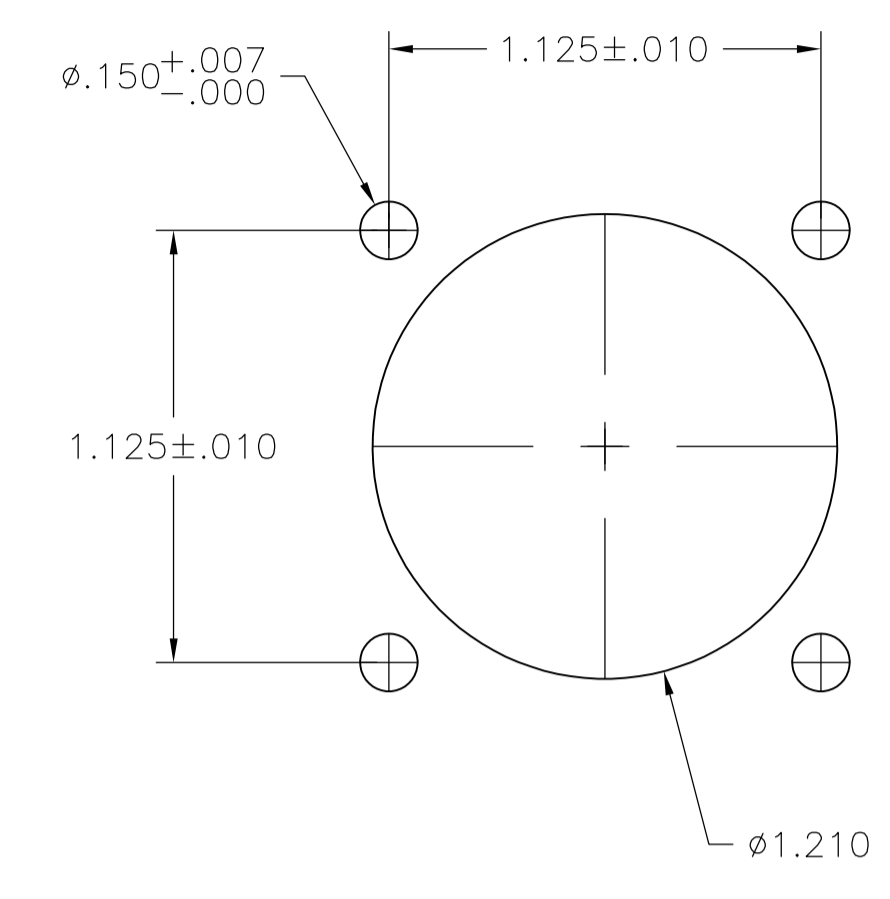
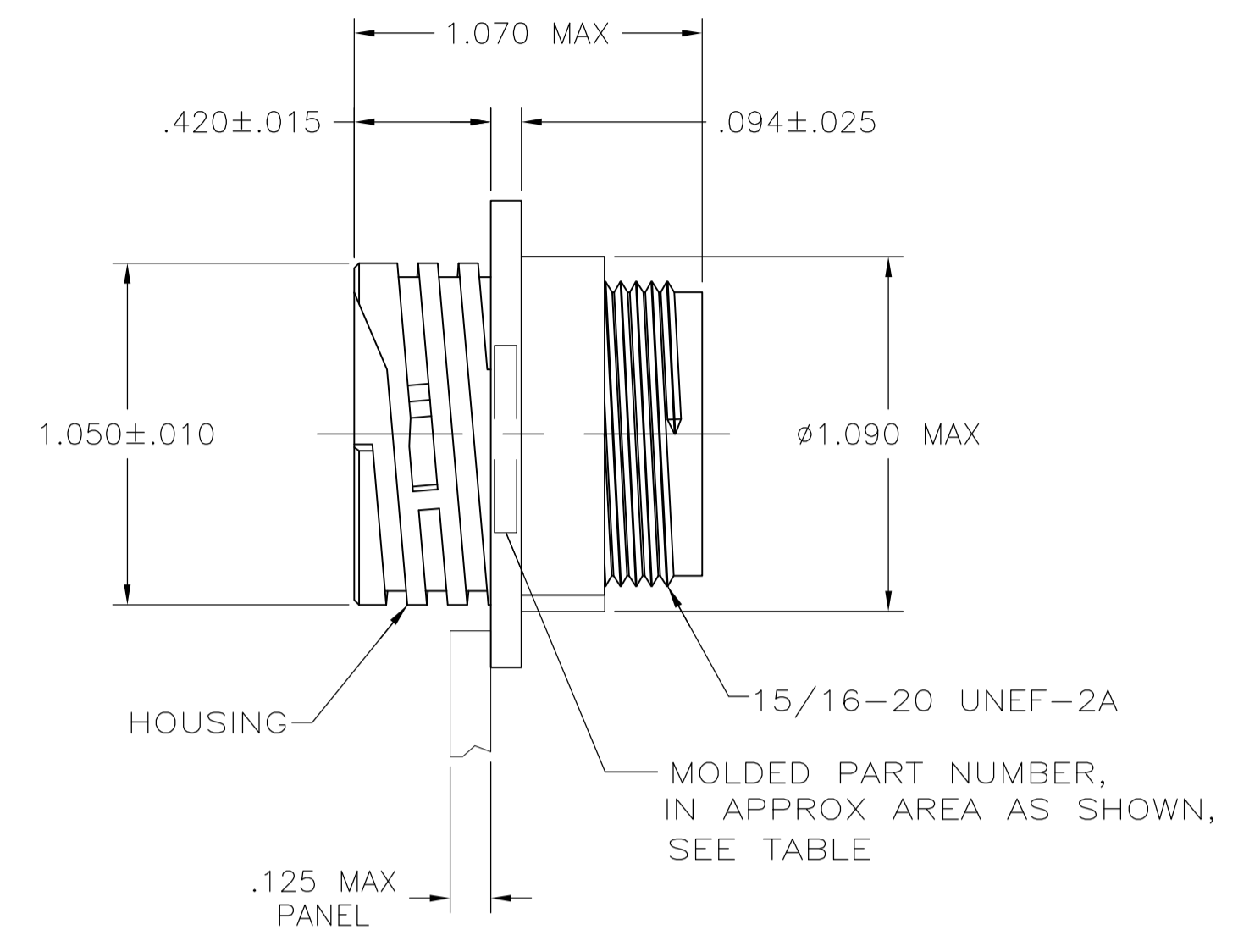
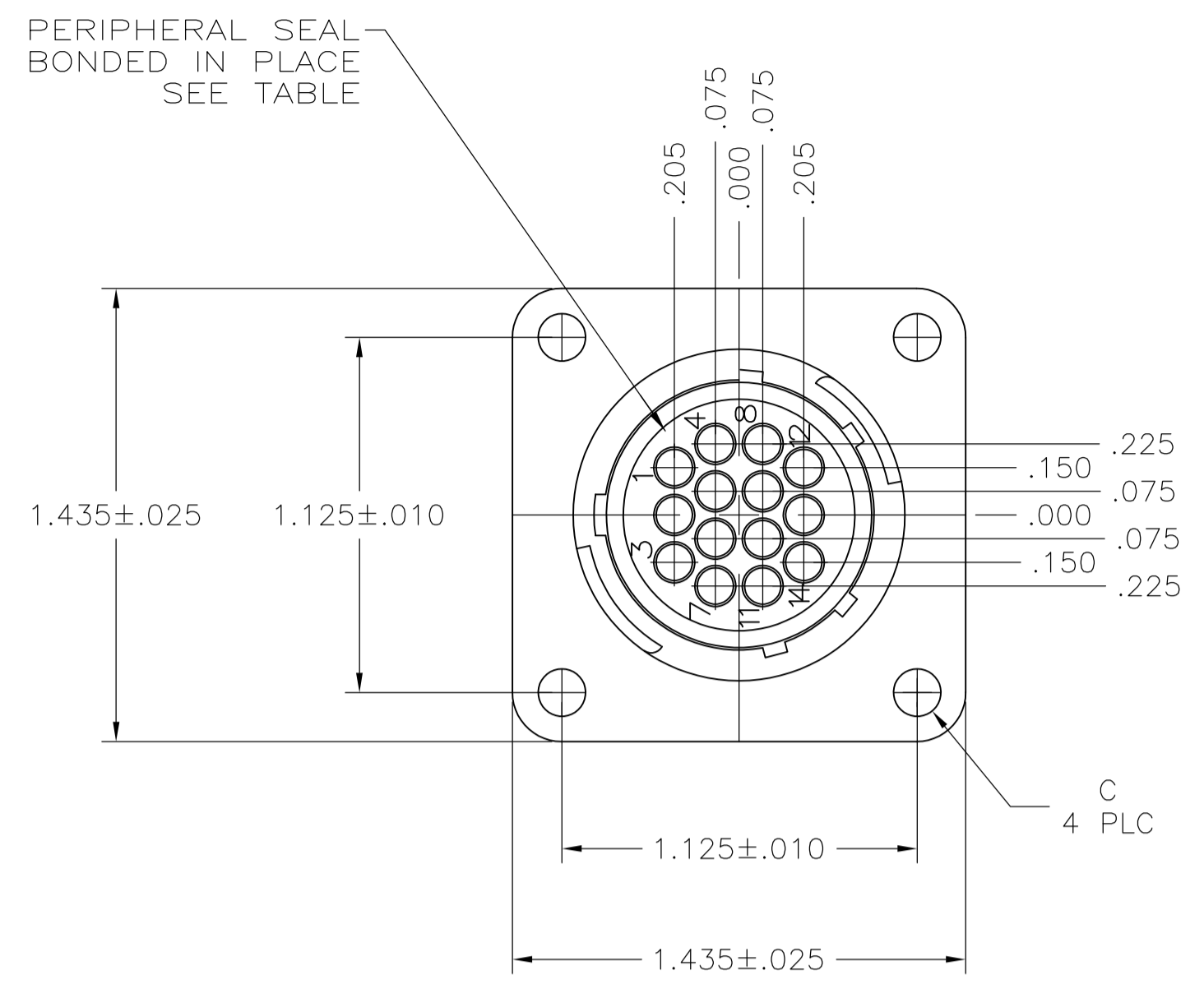
- ▶ [Pricing & Availability](#)
- ▶ [Search for Tooling](#)
- ▶ [View Mating Products \(1\)](#)
- ▶ [Product Feature Selector](#)
- ▶ [Contact Us About This Product](#)

[Add to My Part List](#) |
 [Request Sample](#) |
 [Find Similar Products](#) |
 [Buy Product](#)

Documentation & Additional Information	
<p>Product Drawings:</p> <ul style="list-style-type: none"> • RECEPTACLE ASSEMBLY, REVERSE SEX, SERIES 1, 17-14, CPC (PDF, English) <p>Catalog Pages/Data Sheets:</p> <ul style="list-style-type: none"> • AMP Circular Connectors for Commercial Signal & Powe... (PDF, English) <p>Product Specifications:</p> <ul style="list-style-type: none"> • None Available <p>Application Specifications:</p> <ul style="list-style-type: none"> • None Available <p>Instruction Sheets:</p> <ul style="list-style-type: none"> • Sealed Circular Plastic Connectors (PDF, English) <p>CAD Files: (CAD Format & Compression Information)</p> <ul style="list-style-type: none"> • 2D Drawing (DXF, Version AL) • 3D Model (IGES, Version AL) • 3D Model (STEP, Version AL) 	<p>Additional Product Images:</p> <ul style="list-style-type: none"> • Contact Arrangement • Product Usage <p>Related Products:</p> <ul style="list-style-type: none"> • Tooling • Mating Products (1)

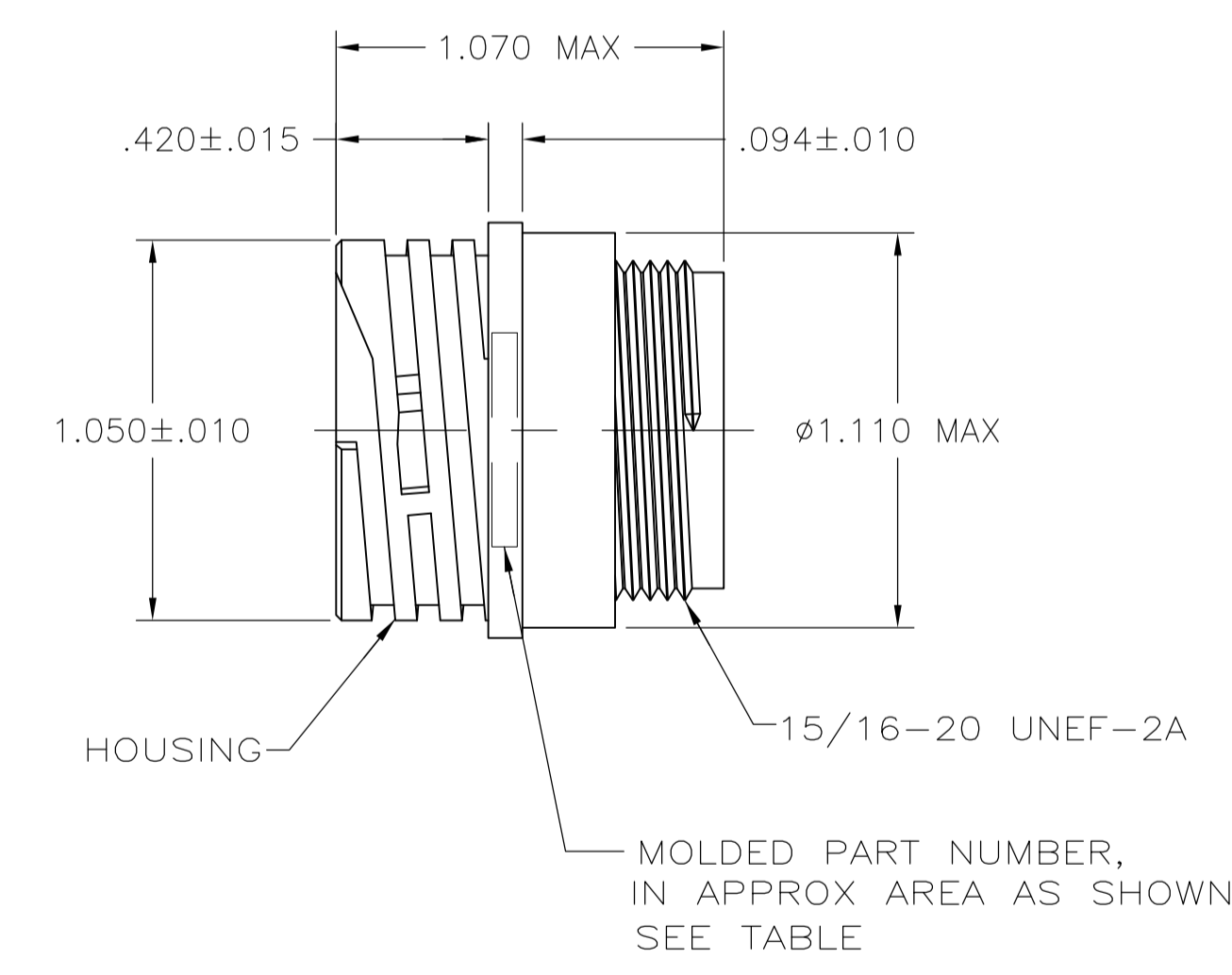
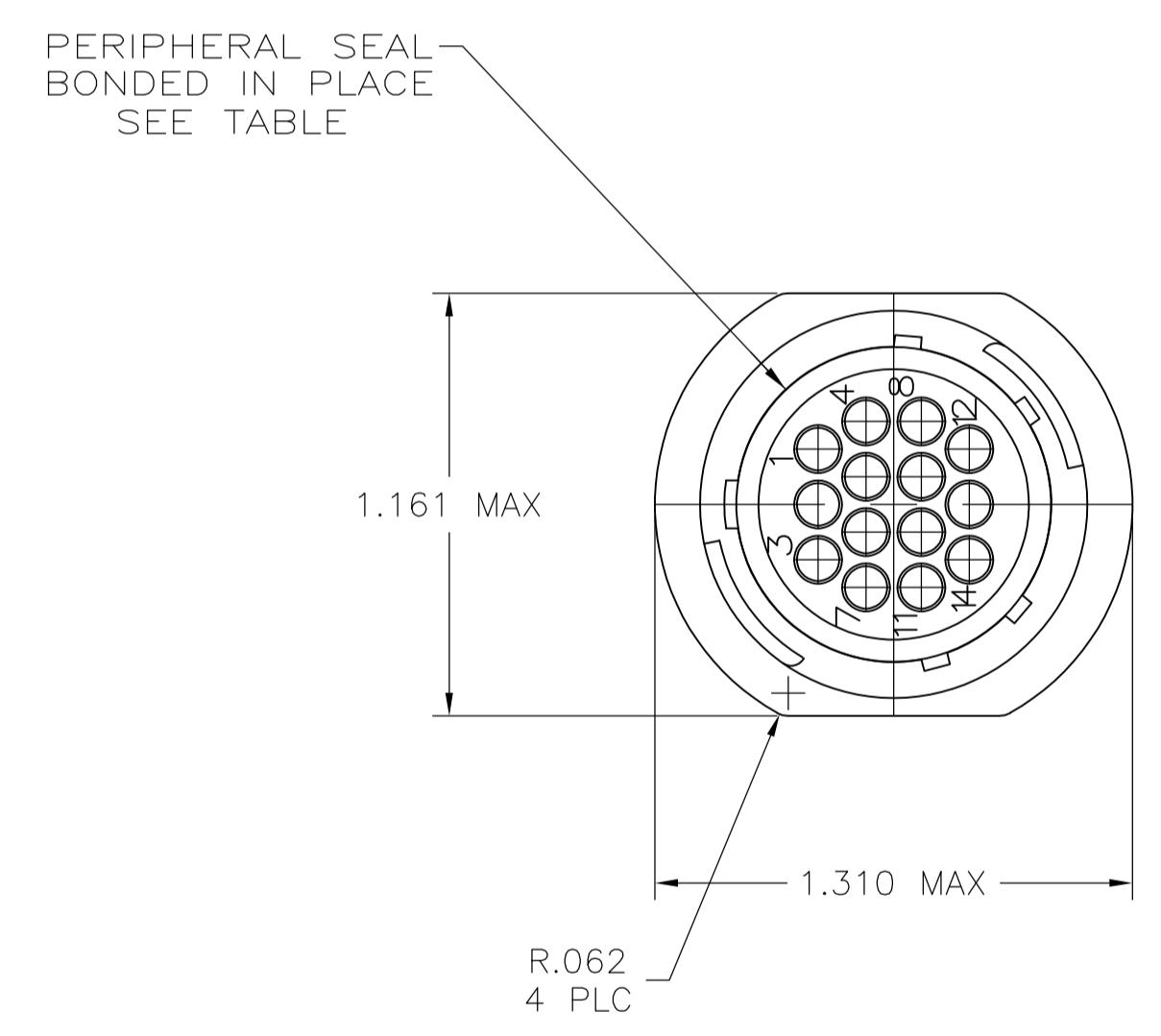
[List all Documents](#)

Product Features (Please use the Product Drawing for all design activity)	
<p>Product Type Features:</p> <ul style="list-style-type: none"> • Connector Type = Housing • Mount Angle = Straight • Shell Size = 17 • Shell Type = All Plastic • Product Series = Series 1 • Thread Size = 1-3/8 - 18 UNEF-2A • Sealed = Yes <p>Mechanical Attachment:</p> <ul style="list-style-type: none"> • Mount = Free Hanging • Mating Retention Type = Threaded Coupling <p>Termination Features:</p> <ul style="list-style-type: none"> • Seal Type = Peripheral <p>Contact Features:</p> <ul style="list-style-type: none"> • Contact Type = Socket • Reverse Gender = Reverse <p>Housing Features:</p> <ul style="list-style-type: none"> • Connector Style = Receptacle • Mating Alignment Type = Keyed • Housing Material = Thermoplastic - GF • Housing Color = Black • UL Flammability Rating = UL 94V-0 	<p>Configuration Features:</p> <ul style="list-style-type: none"> • Number of Positions = 14 • Number of Signal Positions = 14 • Number of Power Positions = 0 • Environmental Protection = With • Reverse Numbering = Without <p>Industry Standards:</p> <ul style="list-style-type: none"> • VDE Tested = No • RoHS/ELV Compliance = RoHS compliant, ELV compliant • Lead Free Solder Processes = Not relevant for lead free process • RoHS/ELV Compliance History = Always was RoHS compliant <p>Identification Marking:</p> <ul style="list-style-type: none"> • Keying = A <p>Environmental:</p> <ul style="list-style-type: none"> • Fluid Resistance = Immersion <p>Other:</p> <ul style="list-style-type: none"> • Brand = AMP



DETAIL A

RECOMMENDED PANEL CUTOUT



DETAIL B

- 1 CAVITY IDENTIFICATION ON FRONT AND REAR FACE.
- 2 WILL ACCEPT FOURTEEN (14) MULTIMATE SOCKET CONTACTS.
- 3 PRELIMINARY PART NUMBER.
- 4 OBSOLETE PARTS: OBSOLETE CIS STREAMLINING PER D.RENAUD/D.SINISI

3	4-40 THREADED INSERTS	-	STANDARD	YES	A	206043-8
4	Ø.150	-	SMALL PACK	NO	A	206043-6
	-	-	STANDARD	YES	B	206043-5
	Ø.150	-	STANDARD	YES	A	206043-4
	-	-	STANDARD	NO	B	206043-3
	Ø.150	206043-1	STANDARD	NO	A	206043-1
	DIM C	MOLDED PART NUMBER	PACKAGING	PERIPHERAL SEAL	SEE DETAIL	PART NO.

THIS DRAWING IS A CONTROLLED DOCUMENT.

DIMENSIONS: INCHES	TOLERANCES UNLESS OTHERWISE SPECIFIED:	DIN W. LENKER 09/10/92	CHK R. STONE 08/11/93	APVD	NAME
0 PLC ± -	1 PLC ± -	2 PLC ± 0.13 [.005]	3 PLC ± -	4 PLC ± -	ANGLES ± -
MATERIAL: HOUSING: NYLON BLACK	FINISH: -	SIZE: A1	CAGE CODE: 00779	DRAWING NO: 206043	RESTRICTED TO: -
CUSTOMER DRAWING				SCALE: 2:1	SHEET 1 OF 1

STE TE Connectivity
RECEPTACLE ASSEMBLY, REVERSE SEX, SERIES 1, 17-14, CPC