
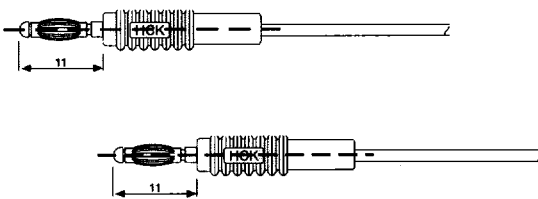

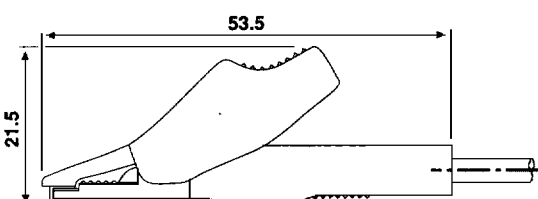
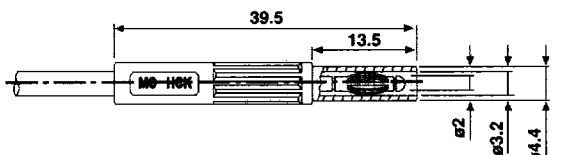

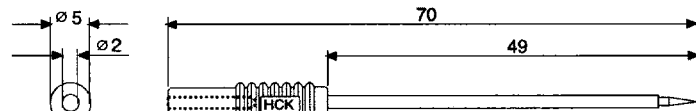


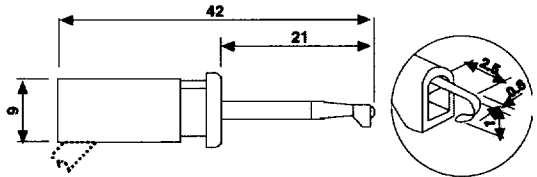


Part No.	Type		Nominal diameter	Withdraw. force	Rated current	Contact resistance
13.9264-010 10 cm) 13.9264-025 25 cm) 13.9264-050 50 cm) 13.9264-100 100 cm)	MAF    		2 mm	-	-	-
<p>2mm Multilam™ plugs L-203 N mounted on both ends of highly flexible PVC insulated stranded cable FLEXIVOLT® 0.5mm<sup>2</sup>. Recommended for frequent operation on electronic control panels.</p> <p>For operating temperature, see page 27.</p>						
			1:1	Colors: 21 - 23		
PVC 15.9185-015 15 cm) 15.9185-030 30 cm) 15.9185-045 45 cm) 15.9185-060 60 cm) 15.9185-100 100 cm)	XALF XALS    	 	2 mm	-	10	-
<p>Highly flexible safety test lead XALF and XALS. One end equipped with a fully insulated, tooth-gripping jaws and fine-wire clamping surface crocodile clip. The other end is equipped with a 2mm in-line safety plug. Brass, nickel plated. Insulator is made of PA/TPE. Wire is available in either PVC or silicone.</p>						
<p>Ratings:                      Rated Voltage: ..... 600 V, CAT III                      Rated Current: ..... 10 A                      Lead cross section: ..... 0.75 mm<sup>2</sup>                      Operating temperature: ..... -40°C to + 70°C (-40°F to 158°F)</p>						
			1:1	Colors: 21 - 23		
Silicone 15.9186-015 15 cm) 15.9186-030 30 cm) 15.9186-045 45 cm) 15.9186-060 60 cm) 15.9186-100 100 cm)			2 mm	-	-	-
<p>2mm plug-on probe, with high grade steel tip and fully insulated body. An in-line socket is situated in the polyamide 6.6 grip part which accepts all non-safety 2mm plugs.</p> <p>Weight: 3 g.</p>						
			1:1	Colors: 21 - 25, 29		
13.9181	PP-70/2					
13.9223	HK-42   		2 mm	-	-	-
<p>C Hook-clip with solder connection for stranded cable up to 0.5mm<sup>2</sup> and an outer diameter up to 2mm. The fine hook is designed to connect onto IC-pins, plug spindles, or wires. This light weight clip can even be used on fragile components. Weight: 1.3 g.</p>						
			1:1	Colors: 21 - 25, 29		

20 - green/yellow 21 - black 22 - red 23 - blue 24 - yellow 25 - green 26 - violet 27 - brown 28 - gray 29 - white 33 - transparent

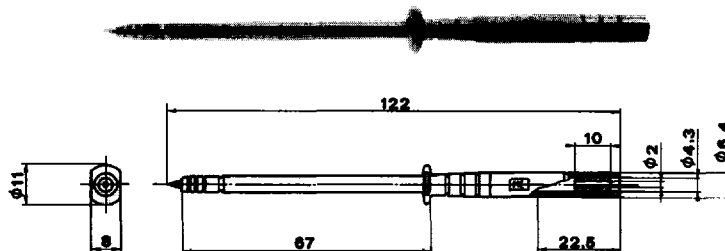
**Nominal diameter**    **Withdraw. force**    **Rated current**    **Contact resistance**

**Type**    **Part No**

2 mm    -    -    -

SPP 4-S/2    24.0237

Test probe with steel needle and 2 mm (.080 in) dia. in-line socket, for spring-loaded 2 mm (.080 in) dia. plugs. Test probe includes transparent protective cap SchK-SPP 4 ..... # 24.5075



Ratings:  
 Max. operating voltage: ..... 380 V  
 VDE 0110 insulation coordination, class A; applies only between collar and socket.  
 Operating temperature: ..... -10°C to + 80°C  
 (14°F to 176°F)

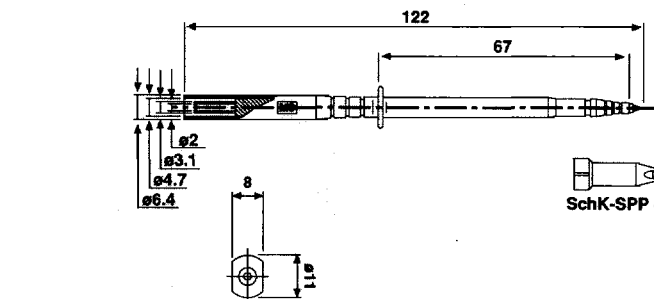
Colors: 21, 22

1:2

2 mm    -    -    0.6 mΩ

SPP2-S    24.0239

Safety test probe with stainless steel tip. 2 mm diameter brass, nickel plated, safety socket in handle for accepting 2 mm safety leads or any other spring-loaded 2mm plug. Handle guard chamfered on both sides (anti-roll form). Supplied with protective cap.



Rated voltage: ..... 1000 V, CAT III  
 Operating temperature: ..... -40°C to + 80°C  
 (-40°F to 176°F)

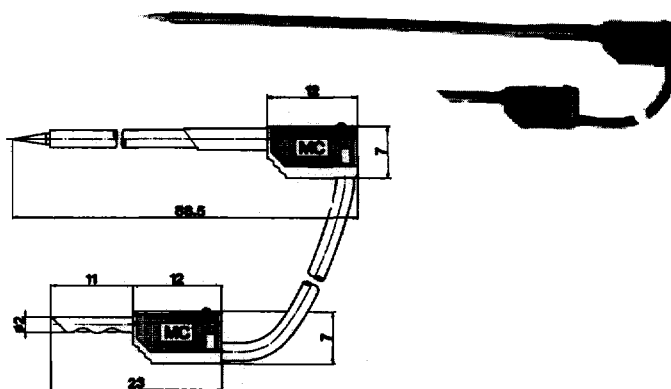
Colors: 21, 22

1:1

2 mm    -    -    0.6 mΩ

PPK 1    21.2000

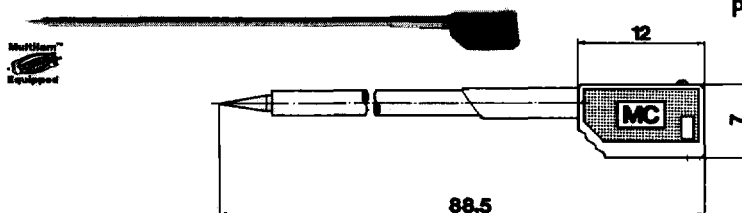
Test lead with PVC insulated highly flexible wire, suitable for tapping 1 mm (.040 in) dia. female jumpers KB 1-5.08, #24.0050 (see page 55), soldering points on printed circuit boards and piercing insulated conductors. Gold plated steel needle on one end. Other end: 2 mm (.080 in) dia. hollow plug made of gold plated hard drawn copper alloy, connects to 2 mm (.080 in) dia. jacks, plugs or pins.



Ratings:  
 Wire Flexi-E/HK 0.50 ..... 0.5 mm<sup>2</sup> (20 AWG)  
 Operating temperature: ..... -10°C to + 70°C  
 (14°F to 158°F)

1:1

Test probe model PP1 has a 2 mm dia. socket mounted in the handle equipped with a Multilam™ band.



PP 1    24.0229

1.3:1

Colors: 21 - 23

20 - green/yellow    21 - black    22 - red    23 - blue    24 - yellow    25 - green    26 - violet    27 - brown    28 - gray    29 - white    33 - transparent

Part No.	Type	Nominal diameter	Withdraw. force	Rated current	Contact resistance
----------	------	------------------	-----------------	---------------	--------------------

34.0139 KPS 1/B 2

2 mm - - -



Test clip with 2 mm (.080 in) dia. socket, suitable for spring-loaded 2 mm (.080 in) dia. plugs.  
Insulation: Nylon.

Operating temperature: ..... -25°C to +70°C  
(-13°F to 158°F)

Colors: 21 - 25, 29

34.0154 AGK 40

2 mm - - -



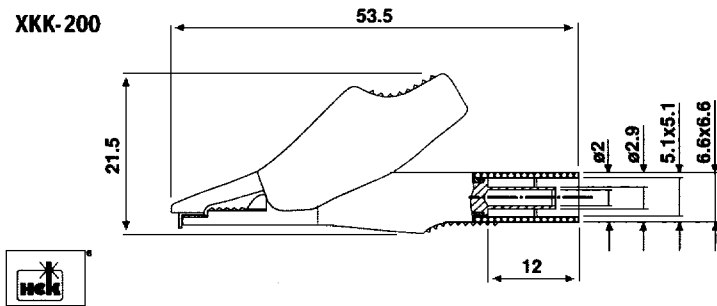
Alligator clip with heavy-duty insulation. Fine-wire gripping surface, made of brass, tin plated.  
2 mm (.080 in) dia. socket.

Clamping limit: ..... 3 mm (.118 in)  
Operating temperature: ..... -25°C to +80°C  
(-13°F to 176°F)

Colors: 21, 22

35.9188 XKK-200

2 mm - 10 A -



1:1

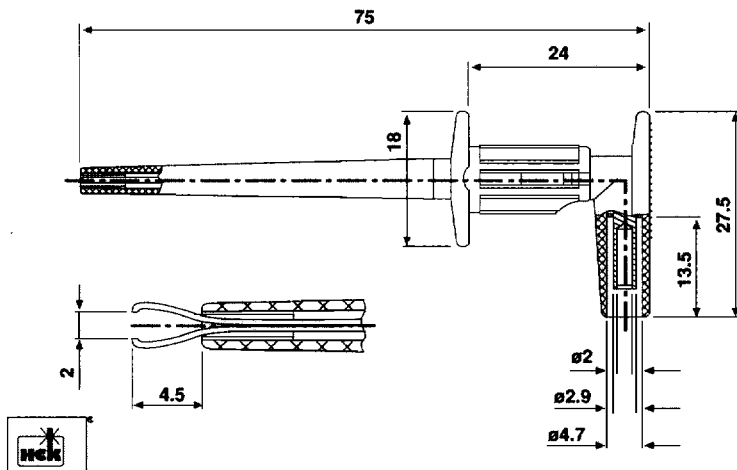
Fully insulated alligator clip with toothed gripping jaws with fine-wire gripping surface.  
2 mm (.080 in) dia. socket, brass, nickel plated.

Rated voltage: ..... 600 V, CAT III  
Operating temperature: ..... -40°C to +80°C  
(-40°F to 176°F)

Colors: 21 - 23

35.9187 MICROGRIP-XB

2 mm - 1 A -



1:1

Safety clip with hardened spring wire grabber with gold plated contact area.  
2 mm (.080 in) dia. socket, brass, nickel plated.

Rated voltage: ..... 300 V, CAT III  
Operating temperature: ..... -40°C to +80°C  
(-40°F to 176°F)

Colors: 21 - 23

20 - green/yellow 21 - black 22 - red 23 - blue 24 - yellow 25 - green 26 - violet 27 - brown 28 - gray 29 - white 33 - transparent