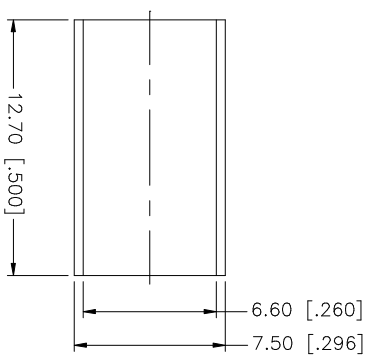
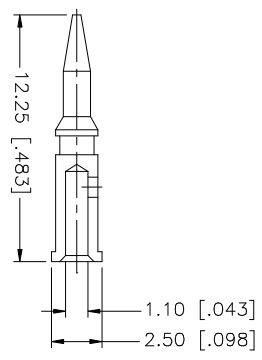
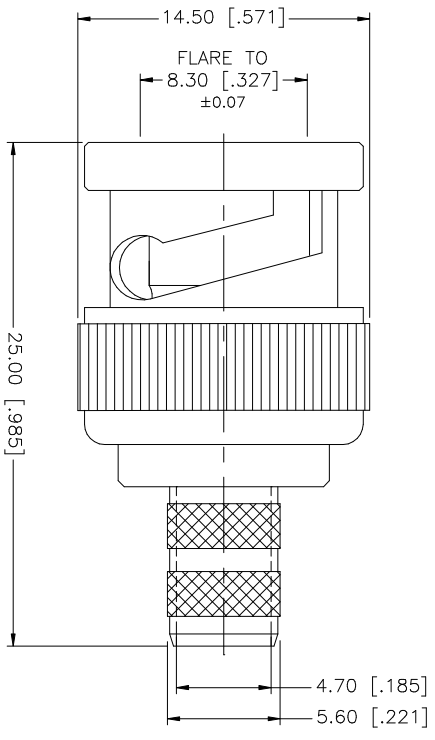
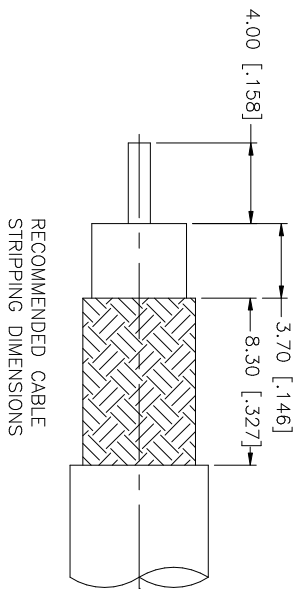


REV.	DATE	DESCRIPTION
A	11/14/97	ADD CONTACT PIN
B	07/01/04	UPDATE DRAWING FORMAT
C	02/21/06	ADD "B1695A" TO PART DESCRIPTION / .255" HEX CRIMP



- NOTE:
1. CRIMPED FERRULE - HEX CRIMP SIZE .255"
  2. CRIMPED CONTACT PIN - HEX CRIMP SIZE .068"

**Amphenol Connex**

BNC CRIMP PLUG  
(FOR RG-6/U, B1695A PLENUM CABLE)

QTY	FINISH	MATERIAL	DESCRIPTION
1	NICKEL	COPPER	FERRULE
1	GOLD	BRASS	CONTACT PIN
1	NATURAL	DELRIN	INSULATOR
1	NICKEL	BRASS	BODY

APPROVALS	DATE
DRWN G.R.S.	02/21/06
CHECKED	
ISSUED	
SHEET 1 OF 1	

PART NO.	DWG. NO.	REV.	SIZE	SCALE
112519	112519.DWG	C	A	NA

UNLESS OTHERWISE SPECIFIED DIMENSIONS ARE IN INCHES AND FOR CUSTOMER REFERENCE ONLY.
UNLESS OTHERWISE SPECIFIED TOLERANCES FOR MILLIMETERS ARE:
0.5 - 8mm ± 0.20mm
8 - 30mm ± 0.40mm
30 - 120mm ± 0.50mm
UNLESS OTHERWISE SPECIFIED TOLERANCES FOR INCHES ARE:
.020 - .315 = ± 0.007"
.315 - 1.180 = ± 0.015"
1.180 - 4.724 = ± 0.020"

DO NOT SCALE DRAWING
CAD FILE C:/112/112519.DWG