

**Item # 711-0160 115VAC/60Hz, 2.93 inch Dia., 3-hole round, screw termination**



**115VAC/60Hz, 2.93 inch Dia., 3-hole round, screw termination**

These 7 figures, AC hour meters with running indicators, offer crisp, distinctive styling for many panel applications. Available in square and round bezel, flush mount or three-hole round panel mount. Each is light-weight, low power, and carry UL, CSA and CE approvals.

**Specifications**

<b>Model No.</b>	711
<b>Mounting</b>	Panel (mounting hardware included)- 3-hole Round
<b>Reset</b>	Non-reset
<b>Termination</b>	1/4 inch (6.3mm) spade terminals with removable screws.
<b>Display</b>	7 figures, 0.14 inch high (3.6mm), 99999.99 hours
<b>Display Height</b>	0.14 Inch
<b>Display Height</b>	3.6 mm
<b>No. of Digits</b>	7
<b>Records</b>	99999.99 hours
<b>Input Voltage</b>	115 VAC 60 Hz $\pm$ 10%
<b>Power</b>	3 watts
<b>Operating Temperature</b>	-22 to +158 °F
<b>Operating Temperature</b>	-30 to +70 °C
<b>Weight</b>	2 oz
<b>Weight</b>	57 gm
<b>Panel Cutout</b>	1.81 Sq. Inch 1.99 Dia. Inch
<b>Panel Cutout</b>	46 Sq. mm 50 Dia. mm
<b>Approvals</b>	UL Recognized and CSA Certified. CE Approved
<b>Stock Availability</b>	Yes
<b>Mounting Holes</b>	<b>Screws provided: 4-40 x 5/8 inch (16mm); Bolt hole circle: 2.44 inch (62mm)</b>



Description

These 7 figure, AC or DC hour meters with running indicators, offer crisp, distinctive styling for many panel applications. Available in square and round bezel, flush mount, or three-hole round panel mount. Each is light-weight, low power, and carry UL, CSA and CE approvals.

Features

- 7 figure, 99999.99
- Various voltage inputs
- Distinctive styling

Options

- Terminations
- Din rail
- Voltages

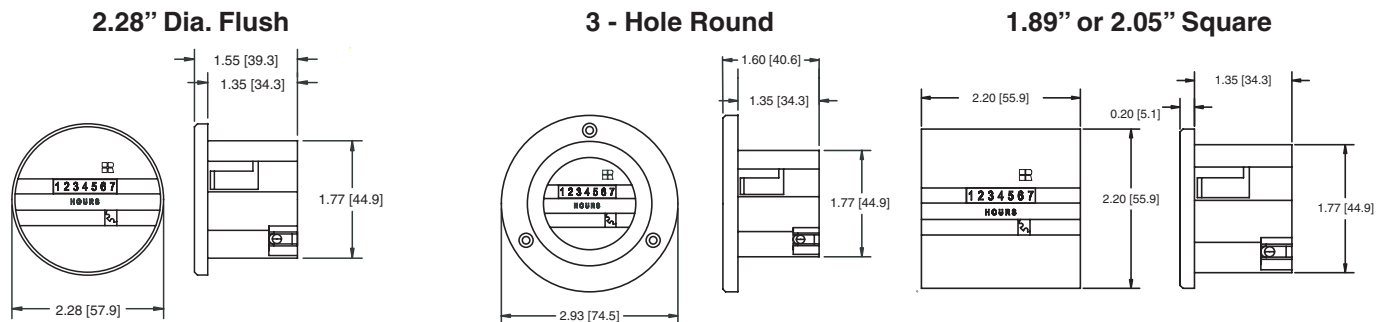
Specifications

<b>Figures:</b>	7 figures, 0.14" high [3.6mm], 99,999.99 hours	<b>Mounting:</b>	Panel (mounting hardware included)
<b>Reset:</b>	Non-reset	<b>Front Panel:</b>	IP65
<b>Voltages:</b>	24, 115, or 230VAC (+/-10%), 50 or 60Hz., 10-80 VDC	<b>Temp. Range:</b>	-22°F to +158°F [-30°C to +70°C]
<b>Power:</b>	3 watts (AC), 1.2 watt maximum (DC)	<b>Approvals:</b>	UL Recognized and CSA Certified (AC only), CE Compliant
<b>Terminations:</b>	1/4" [6.3mm] spade terminals, with removable screws, or 8" [203mm] wire leads	<b>Weight:</b>	1.6 oz. [46g]

Models	Description	Models	Description
<b>711-0150</b>	115VAC/60Hz, 2.28" Dia., Flush mount, screw termination	711-0182	24VAC/60Hz, 1.89" Sq., Flush mount, screw termination
711-0152	230VAC/60Hz, 2.28" Dia., Flush mount, screw termination	<b>711-0190</b>	115VAC/60Hz, 2.05" Sq., Flush mount, screw termination
<b>711-0160</b>	115VAC/60Hz, 2.93" Dia., 3-hole round, screw termination	711-0192	24VAC/60Hz, 2.05" Sq., Flush mount, screw termination
711-0162	230VAC/60Hz, 2.93" Dia., 3-hole round, screw termination	711-0193	115VAC/50Hz, 2.05" Sq., Flush mount, screw termination
711-0163	230VAC/50Hz, 2.93" Dia., 3-hole round, screw termination	711-0195	24VAC/50Hz, 2.05" Sq., Flush mount, screw termination
711-0164	24VAC/60Hz, 2.93" Dia., 3-hole round, screw termination		
711-0171	115VAC/60Hz, 2.93" Dia., 3-hole round, 8" wire leads	<b>731-0046</b>	10-80VDC, 2.93" Dia., 3-hole round, screw termination
<b>711-0180</b>	115VAC/60Hz, 1.89" Sq., Flush mount, screw termination		

\* Items in bold are normally in factory stock.

Dimensions



Panel cutout: 1.99" [50] Dia. or 1.81" [46]

Panel cutout: 1.99" [50] Dia. or 1.81" [46] Sq.  
Screws provided: 4-40 x 5/8" [16]  
Bolt hole circle: 2.44" [62]

Panel cutout: 1.99" [50] Dia. or 1.81" [46] Sq.  
(for 1.89" Sq. use 1.81" [46] Sq. cutout only)

Applications

Medical equipment



Test equipment



Office equipment

