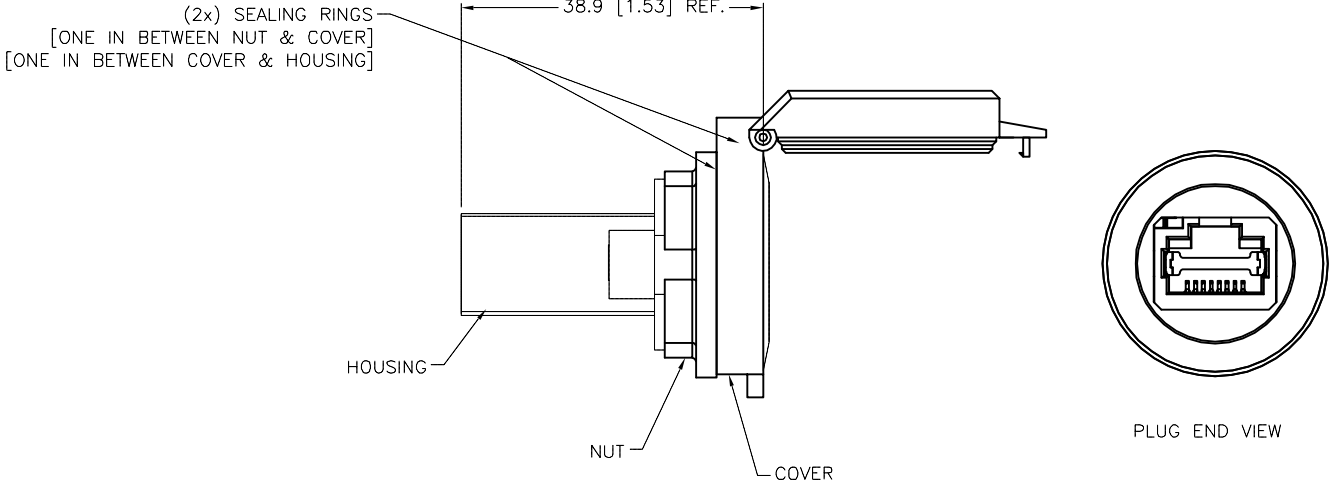
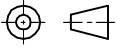


SPECIFICATIONS	
CONNECTOR TYPE	SHIELDED
RATED CURRENT [A]	1.5 A
RATED VOLTAGE [V]	125 VAC
NUMBER OF CONTACTS	8
TRANSMISSION SPEED	CAT 6



SOURCE DRAWING - FOR REFERENCE ONLY

- NOTES:
1. ALL DIMENSIONS ARE REFERENCE.
 2. USE WITH PANEL THICKNESS 1.5mm (MIN.); 5.0mm (MAX.)

RELATED DOCUMENTS		3RD ANGLE PROJECTION	THIS DRAWING IS CONFIDENTIAL AND THE PROPERTY OF TURCK INC. USE OF THIS DOCUMENT WITHOUT WRITTEN PERMISSION IS PROHIBITED.		TURCK INC <i>High Technology Sensors and Automation Controls</i> 3000 CAMPUS DRIVE MINNEAPOLIS, MN 55441 1-800-544-7769 (763) 553-7300 (763) 553-0708 fax turck.com	
1.				DRFT	RDS	DATE
2.		ALL DIMENSIONS DISPLAYED ON THIS DRAWING ARE FOR REFERENCE ONLY		APVD	A.A.	SCALE
3.		MATERIAL SEE SPECIFICATIONS	UNIT OF MEASUREMENT		DESCRIPTION	
4.			FINISH SEE SPECIFICATIONS	MILLIMETER [INCH]		RJ45 PANEL MOUNT W IP67 CAP
			CONTACT TURCK FOR MORE INFORMATION		IDENTIFICATION NO.	
			DO NOT SCALE THIS DRAWING		U2-22253	
					REV	
					C	
					FILE: U2-22253	
					SHEET 1 OF 1	

C	UPDATE REFERENCE LENGTH DIMENSION	RDS	08/04/14	46630
REV	DESCRIPTION	BY	DATE	ECO NO.