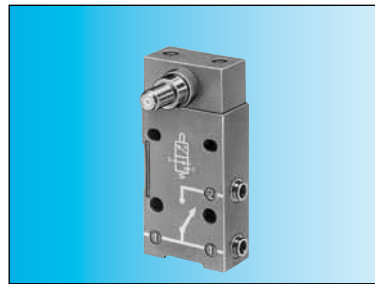
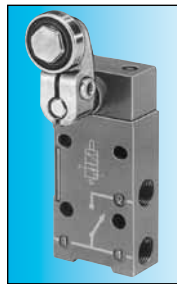


# "Compact" series position detectors

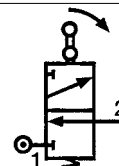
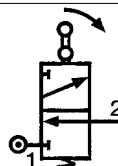
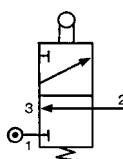
- 100 % pneumatic
- All metal



## Part numbers

Features	Direct acting <b>81 922 401</b>	Rotary actuator <b>81 922 205</b>	Rotary actuator <b>81 922 010</b>	Rotary actuator <b>81 922 210</b>
Version	Roller plunger with unthreaded barrel	Right-hand rotary head with roller lever (CNOMO)	Programmable rotary head without lever	Programmable rotary head without lever

## Symbol



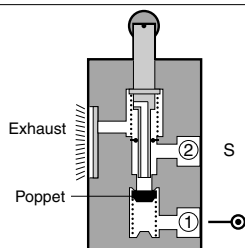
## Characteristics

Connection	BSP	—	1/8	—	1/8
push-in for semi-rigid tubing (NFE 49100)	mm	Ø 4	—	Ø 4	—
Operating pressure	bar	0.1 → 8	0.1 → 8	0.1 → 8	0.1 → 8
Bore diameter	mm	3	3	3	3
Flow at 6 bars	Nm³/h	200	200	200	200
Activation force at 6 bars	daN	2.5	2.5	2.5	2.5
Circuit function: NC		•	•	•	•
Mechanical life	operations	> 10 <sup>7</sup>	> 10 <sup>7</sup>	> 10 <sup>7</sup>	> 10 <sup>7</sup>
Silenced or connectable (1/8) exhaust		•	•	•	•
Operating temperature	°C	-5 → +50	-5 → +50	-5 → +50	-5 → +50
Weight	g	150	193	175	175

## Accessories

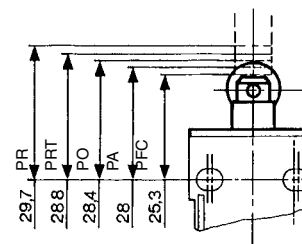
Lever with roller	plastic	<b>79 452 103</b>	—	•	•	•
	bearing	<b>79 452 104</b>	—	•	•	•
Lever with adjustable roller	plastic	<b>79 452 123</b>	—	•	•	•
	bearing	<b>79 452 124</b>	—	•	•	•
Adjustable steel rod lever		<b>79 452 133</b>	—	•	•	•

## Principle of operation



### Vertical attack

Detectors with roller plunger with unthreaded barrel.



#### Actuation positions :

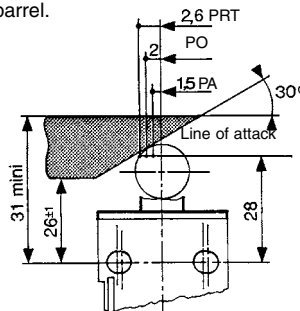
- PA : Operating position (max output kV)
- PFC : End of travel position
- PO : Mid-position closed (no exhaust, no outlet)
- PRT : Release position (max exhaust kV)
- PR : Rest position

The detectors 81 922 010 and 81 922 210 can operate to both left and right.

**Material: body zamak**  
**Other configuration on demand**

### Horizontal attack

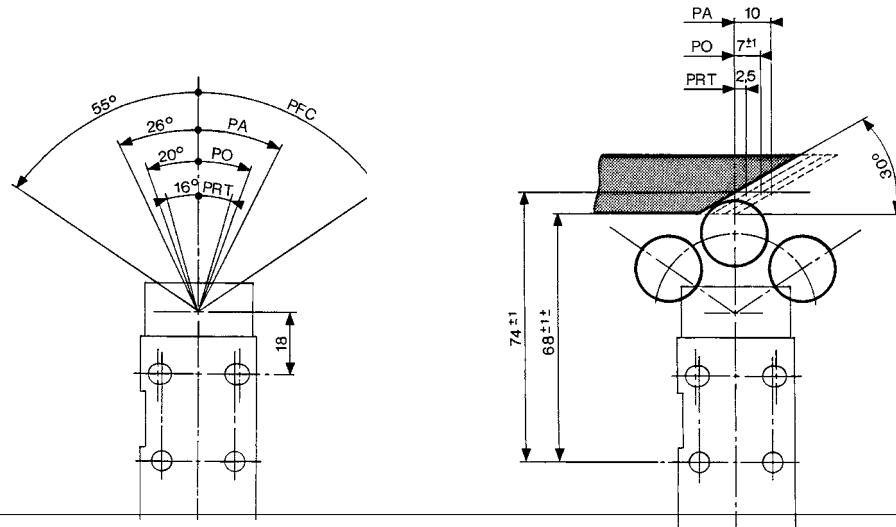
Detectors with roller plunger with unthreaded barrel.



**Rotary actuator**

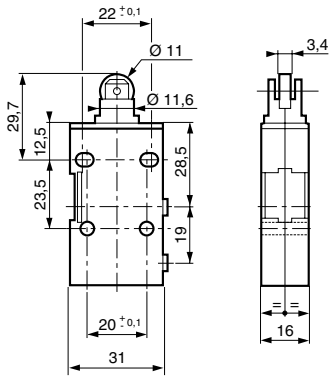
Detectors with levers

81 922 - 81 922 0 - 81 922 2

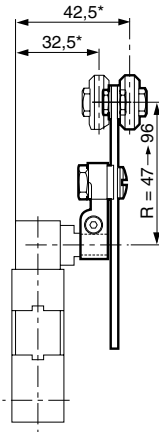


**Dimensions**

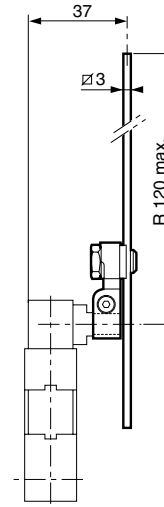
81 922 401



79 452 123 - 79 452 124



79 452 133



81 922 205 - 81 922 0 - 81 922 2  
79 452 103 - 79 452 104

