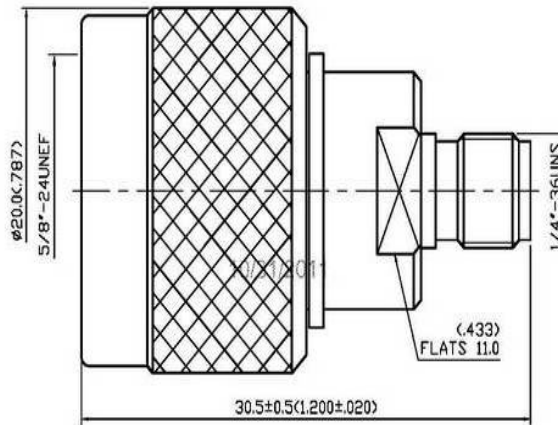


Data sheet

N Plug to SMA Jack Adapter

RS stock No: 7581616



1.0 ELECTRICAL

- 1.1 FREQUENCY RANGE: DC-11 GHz
- 1.2 NOMINAL IMPEDANCE: 50 OHM
- 1.3 WORKING VOLTAGE: 500 VOLTS MAX.
- 1.4 PROOF VOLTAGE: 1000 VOLTS
- 1.5 VSWR: 1.3 MAX.

2.0 MATERIALS

- 2.1 BODIES: BRASS PER JIS-C9804
- 2.2 CENTER CONTACT: BERYLLIUM COPPER PER ASTM B196 UNS C17300
- 2.3 INSULATION: TEFLON PER ASTM D1457 AND ASTM D1710

3.0 FINISHES AND OTHERS

3.1 SEE BELOW TABLE FOR DETAILS.

4.0 MECHANICAL

4.1 INTERFACE IN ACCORDANCE WITH: MIL-STD-348A

5.0 ENVIRONMENTAL

5.1 OPERATING TEMPERATURE RANGE: -85° C TO +185° C

NO	DESCRIPTION	MATERIAL	Q'TY	FINISH
7	INSULATION	TEFLON	1	NONE
6	CHASSIS	BRASS	1	NICKEL 100μ" MIN.
5	CENTER CONTACT	BERYLLIUM COPPER	1	GOLD 50μ" MIN.
4	WASHER	BRASS	1	NICKEL
3	O-RING	SILICONE	1	RED
2	BODY	BRASS	1	NICKEL 100μ" MIN.
1	SHELL	BRASS	1	NICKEL 100μ" MIN.

APPROVED by _____ DATE: _____

DESCRIPTION		N PLUG TO SMA JACK ADAPTOR	
製圖	DRAWN <i>Cina</i>	TOLERANCE	品名 64-04 T.G.N
檢圖	CHECK <i>Arc</i>	.X ±0.2	TITLE \ROHS COMPLIANT (50%)
認定	APPROVAL <i>Jenny</i>	.XX ±0.1	單位 UNIT mm(in)
		.XXX ±0.05	比例 SCALE
		ANGLE ±5°	DWG.NO. 64-0005
			DATE 10.27.11'
			版次 A-0
			REV.



