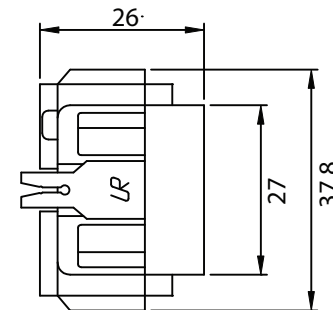
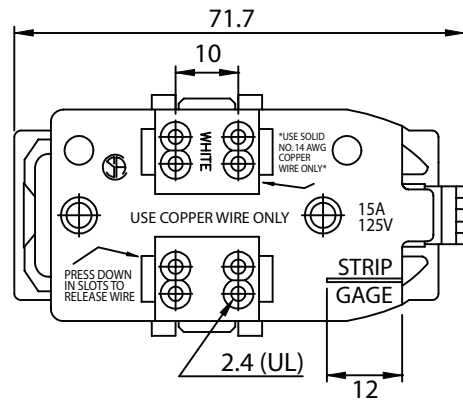
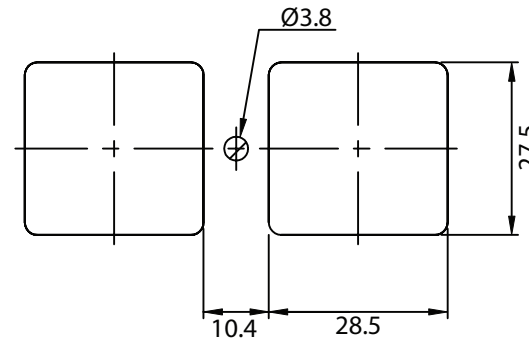
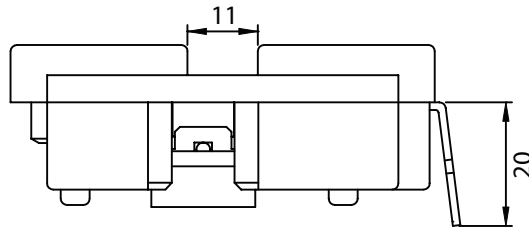
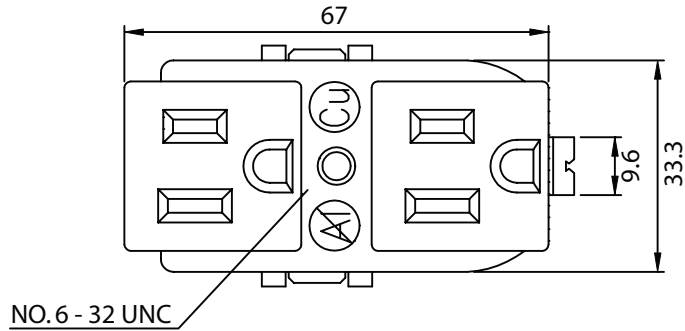


REVISION			
REV.	DESCRIPTION	DATE	APPROVED
B	RoHS Compliancy	06-01-06	DP

THESE DRAWINGS ARE THE PROPERTY OF QUALTEK ELECTRONICS AND NOT TO BE REPRODUCED FOR OR COMMUNICATED TO A THIRD PARTY WITHOUT THE EXPRESS WRITTEN PERMISSION OF AN OFFICER OF QUALTEK ELECTRONICS.



NOTES:

USE 14 AWG COPPER WIRE ONLY
 15A 125V
 APPROVALS: UL,CSA
 RoHS COMPLIANT

CONTROLLED

Dim range (mm)	Tolerance +/- (mm)	Qualtek Electronics Corp. PPC DIVISION		
		Part Number:	740W-D/02	RoHS Compliant
0-1	0.15	Description: DUPLX RECEPTACLE, NEMA 5-15R		
1-6	0.20			
6-18	0.30	Drawn / Date	UNIT: mm	REV. B
18-50	0.50			
50-120	0.70	S.CHEN 03-17-00	Checked / Date	Approved / Date
120-250	0.90			
250-500	1.20		03-17-00	JJH / 03-17-00