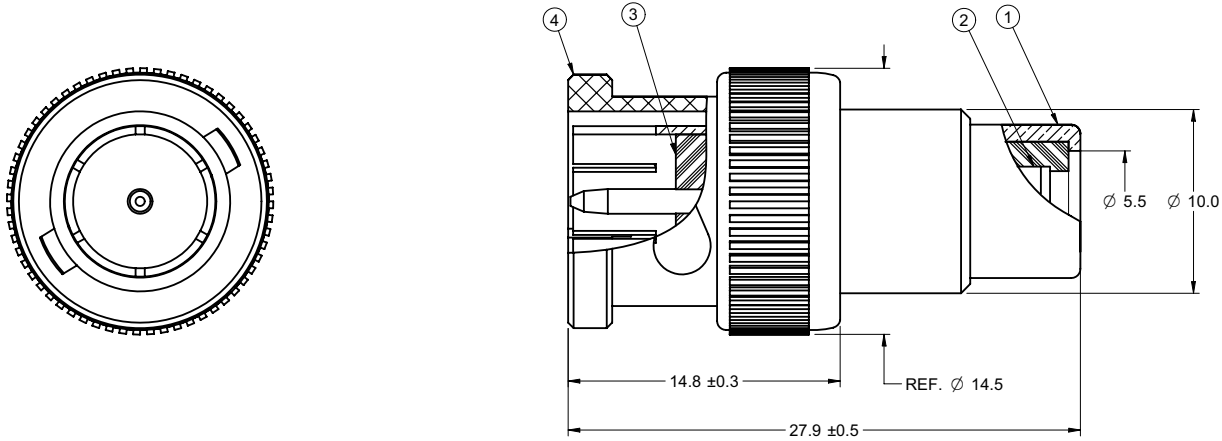


	5		4		3		2		1
PART NUMBER	ITEM ① BODY	ITEM ② CONTACT	ITEM ③ INSULATOR	ITEM ④ NUT					
CP-AD517	BRASS NICKEL PLATED	BRASS GOLD PLATED	TEFLON	ZINC NICKEL PLATED					

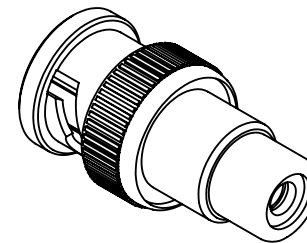
<b>受控 CONTROLLED DOCUMENT</b>					
编号 P/N	CP-AD517	版本 Rev	0A	日期 Rel'd Date	Mar 24,08

DRAWING NO. CP-AD517	
REVISIONS	
RELEASE FOR QUOTATION	
A	01-10-07



**NOTES:**

- ELECTRICAL SPECIFICATIONS**  
 IMPEDANCE: 75 OHMS NOMINAL  
 FREQUENCY RANGE: 0-2 GHz  
 WORKING VOLTAGE: 500 Vrms MAX AT SEA LEVEL  
 DIELECTRIC WITHSTANDING VOLTAGE: 1500 vrms AT SEA LEVEL  
 CORONA LEVEL: 375 VOLTS MINIMUM AT 70,000 FEET  
 CONTACT RESISTANCE: OUTER-0.2 MILLIOHMS MAXIMUM  
 CENTER-2.1 MILLIOHMS MAXIMUM  
 INSULATION RESISTANCE: 5000 MEGOHMS MINIMUM
- MECHANICAL SPECIFICATIONS**  
 DURABILITY: 500 CYCLES MIN
- ENVIRONMENTAL SPECIFICATIONS**  
 RECOMMENDED TEMPERATURE RANGE: -55 °C TO +85°C  
 MOISTURE RESISTANCE: MIL-STD-202
- PRODUCT SHOULD BE RoHS COMPLIANCE**
- PACKAGING REQUIREMENT FOLLOWS ENGINEERING DOCUMENT P/N 836-40200001XX.**



THIS DRAWING TO BE INTERPRETED  
PER ANSI Y 14.5M - 1994

**COMPANY CONFIDENTIAL**

TOLERANCE UNLESS OTHERWISE SPECIFIED		DRAWN BY BETTY.YU	DATE 01-10-07
DECIMALS	mm	CHECKED BY LINDA.WU	DATE 01-10-07
X	± 0.5	APPROVED BY THOMAS	DATE 01-10-07
X.X	± 0.2	U/M	mm
X.XX	± 0.1		
ANGLES	± 0.5°		

<b>EMERSON</b> Network Power		<b>Connectivity Solutions</b>	
TITLE 75 OHM RCA JACK TO BNC PLUG, ADAPTER			
SHEET 1 OF 1	DRAWING NO. CP-AD517	SIZE C	

THIS DRAWING WAS PRODUCED BY COMPUTER,  
DO NOT SCALE DRAWING OR UPDATE MANUALLY.