

Modular Connectors

Emerson Network Power Connectivity Solutions presents its premium line of **USA made** modular connectors which are designed to meet the strict demands of high speed analog and digital signals.

These modular plugs are available in 4, 6, 8 and 10 pin versions and contacts are plated with 50 micro-inches of gold for better conductivity and data assurance. This allows data to flow up to Category 6 speeds.

These connectors consist of a patented design allowing termination of one connector for either solid or stranded cable, and are available in different styles to terminate round or flat cable types. The RJ45 plugs are available in shielded and unshielded versions, as well as for use on bonded or non-bonded cable.

These modular plugs are ideal for use in **Networking, Digital Video, TV Broadcast, Aircraft, Test Instruments and Medical Imaging Equipment** applications. We also provide a plug that terminates 22AWG wire as used by the **Automotive** Industry.







Key Features & Benefits

- 50 Micro-inch Gold plated contacts
- Maximum contact resistance 10mΩ Max
- Terminate to Stranded or Solid conductors
- For both Round and Flat cable
- UL listed & Certified
- Made in USA
- Easy installation with most crimp tools

Emerson Connectivity Solutions also offers a complete selection of commonly used Ratchet and Non-Ratchet Modular Plug Crimping tools. See below for a list for tool part numbers and a list of available Modular Plugs.

Part Number	Description	Suggested Tool
32-2098UL	RJ45 (8P8C), Straight, Shielded, Round Cable	1, 2, 3
32-2198UL	RJ45 (8P8C), Offset w/ Load Bar, Unshielded, Round Cable	1, 2, 3
32-2298UL	RJ45UL (8P8C), Shielded, Straight, Round Cable, CAT5E	1, 2, 3
32-5910UL	RJ45 (10P10C), Straight, Unshielded, Round Cable	1, 2, 3
32-5954UL	RJ11 (6P4C), Straight, Unshielded, Flat Cable	1, 2, 3
32-5956UL	RJ12 (6P6C), Straight, Unshielded, Flat Cable	1, 2, 3
32-5958UL	RJ45 (8P8C), Straight, Unshielded, Flat Cable	1, 2, 3
32-5964UL	RJ22 (4P4C), Straight, Unshielded, Flat or Round (Handset Plug)	3
32-5994UL	RJ11 (6P4C), Straight, Unshielded, Round Cable	1, 2, 3
32-5996UL	RJ12 (6P6C), Straight, Unshielded, Round Cable	1, 2, 3
32-5998EUL	RJ45 (8P8C), CAT5E, Offset, Unshielded, Round Cable	1, 2, 3
32-5998UL	RJ45 (8P8C), Straight, Unshielded, Round Cable	1, 2, 3
32-6198UL	RJ45 (8P8C), CAT6, Offset w/ Load Bar, Unshielded, Round Cable	1, 2, 3

P=Position, C=Conductor

	Part Number	Terminate	Tool Type	
1	24-4680P	4, 6, 8 & 8 Keyed (works with AMP & Stewart Plugs)	Non-Ratchet	
2	24-4681P	2, 4, 6, 8 & 8 Keyed	Non-Ratchet	
3	24-7865P	2, 4, 6, 8, 8 Keyed & 10 (works with DEC 4/6 and 4C Handset Plugs)	Ratchet	
4	24-7748P	All 8P8C Keyed Modular Plugs	Non-Ratchet	

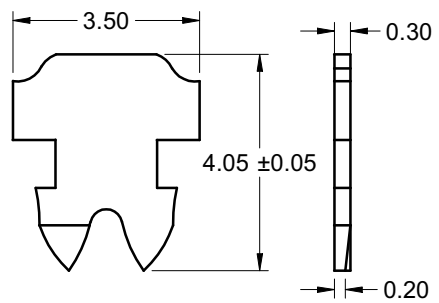
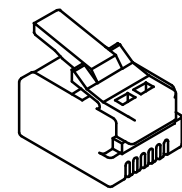
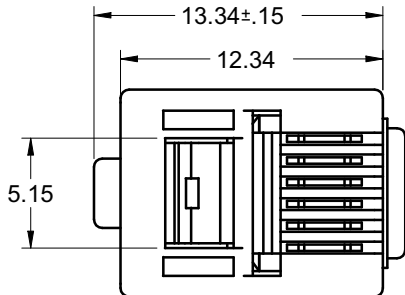
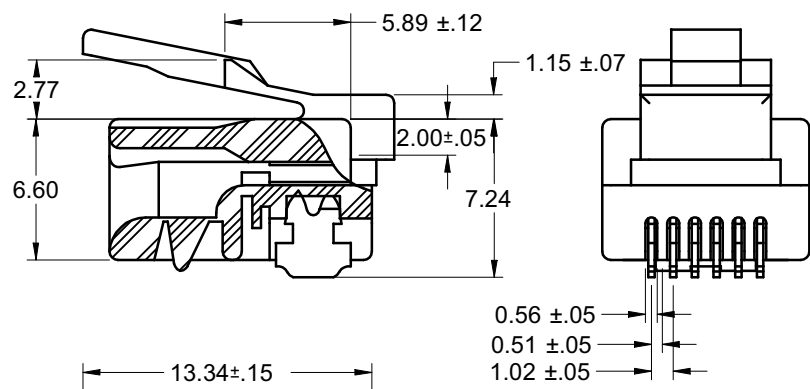
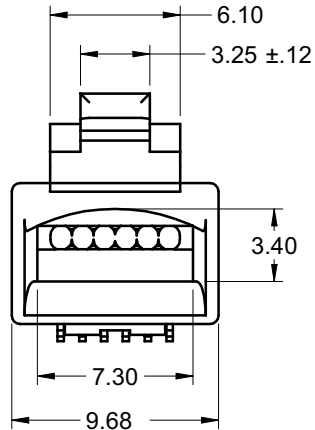
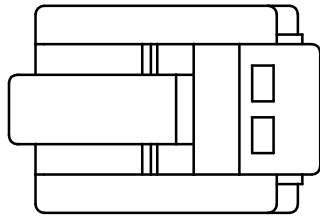
Emerson Network Power
Connectivity Solutions
299 Johnson Ave.SW, Ste 100
Waseca, MN 56093
Ph: 507.833.8822
Or 800.247.8256

Emerson Network Power
Connectivity Solutions (Shanghai) Co.,Ltd.
Building 1, No. 800 Shenfu Road
Xinzhuang Industrial Park
Ph:86 21.5442.7668

Emerson Network Power
Connectivity Solutions, Ltd.
11 Bilton Rd
Chelmsford
Essex CM1 2UP
Ph: +44 1245.359.515

受控 CONTROLLED DOCUMENT					
编号 P/N	32-5996UL	版本 Rev	01	日期 Rel'd Date	SEP 14,09

DRAWING NO. 32-5996UL					
REVISIONS					
01	OFFICIAL RELEASE				
	08-25-09	Y	T	T	Betty



NOTES:

1. ELECTRICAL SPECIFICATIONS

INSULATION RESISTANCE: 1000 MEGOHMS
 WITHSTAND VOLTAGE: 1000V,AC/ MINUTE

2. MECHANICAL SPECIFICATIONS

CONTACT MATERIAL: PHOSPHOR BRONZE 0.3MM THICKNESS
 CONTACT PLATING: 50 MICRO-INCH GOLD PLATE OVER 100
 MICRO-INCH NICKEL PLATING
 HOUSING MATERIAL: POLYCARBONATE
 DURABILITY: 1000 CYCLES MIN
 UL FLAMABILITY RATING: 94-V0

3. ENVIRONMENTAL SPECIFICATIONS

TEMPERATURE RANGE: -40 °C TO +70°C

THIS DRAWING TO BE INTERPRETED
 PER ANSI Y 14.5M - 1994

COMPANY CONFIDENTIAL

TOLERANCE UNLESS OTHERWISE SPECIFIED		DRAWN BY	DATE
DECIMALS	mm	BETTY.YU	08-25-09
X	± 0.5	CHECKED BY	DATE
X.X	± 0.15	TERRY.W	08-25-09
X.XX	± 0.10	APPROVED BY	DATE
ANGLES	± 0.5°	THOMAS	08-25-09
		U/M:	mm

EMERSON Network Power		Connectivity Solutions	
TITLE RJ12 MOD PLUG 50°U,SOL/STR,FLT			
SHEET	DRAWING NO.	SIZE	
1 OF 1	32-5996UL	C	

THIS DRAWING WAS PRODUCED BY COMPUTER,
 DO NOT SCALE DRAWING OR UPDATE MANUALLY.