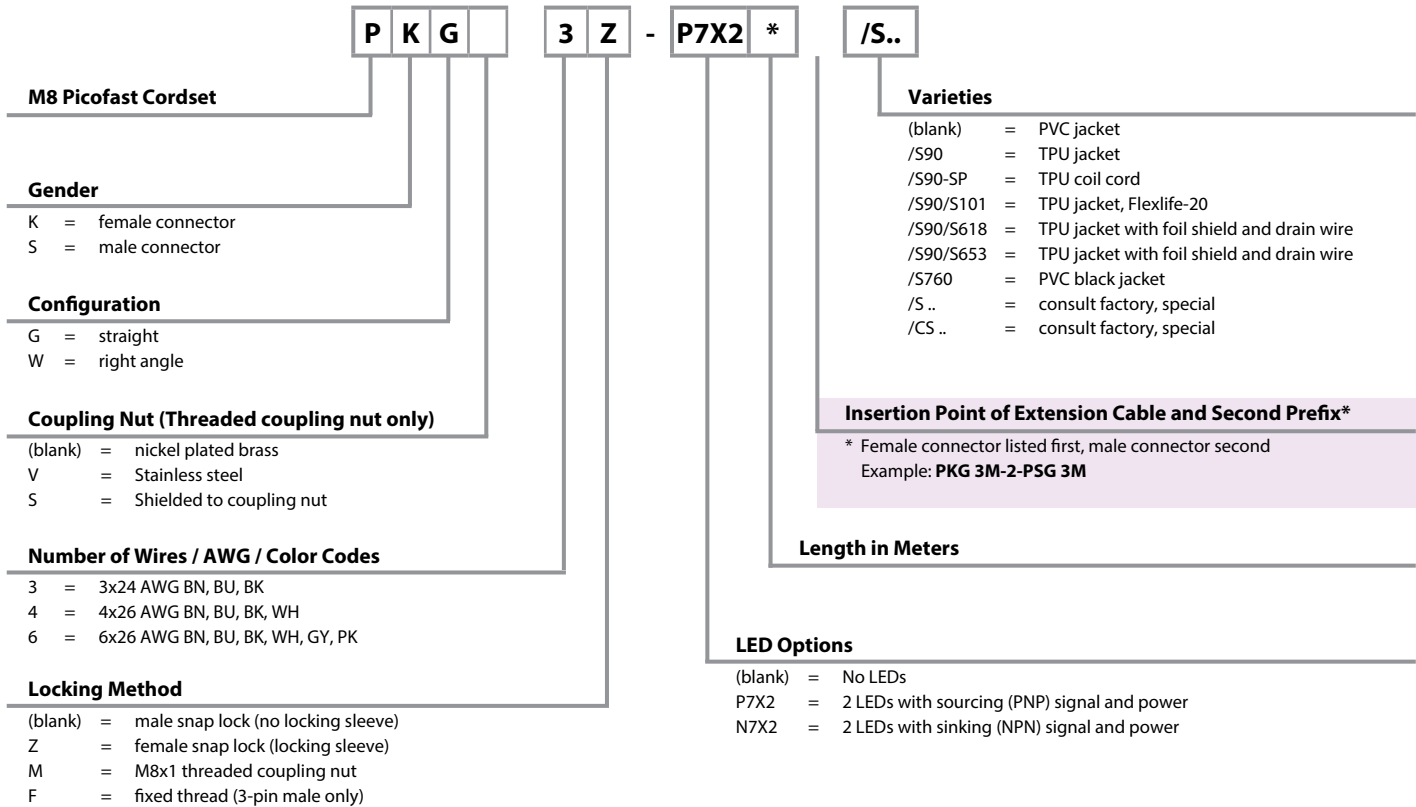


## Cordset Part Number Key

Part Number Keys are to assist in IDENTIFICATION ONLY. Consult factory for catalog items not identified.

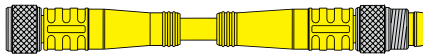


### Extension Examples:

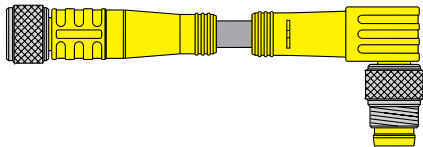
Hybrid connector extensions also available. Consult factory.

### Extension Examples:

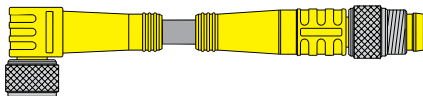
Hybrid connector extensions also available. Consult factory.



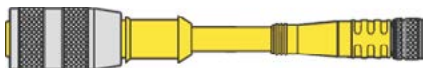
PKG 3M - 2 - PSG 3M



PKG 3M - 2 - PSW 3M



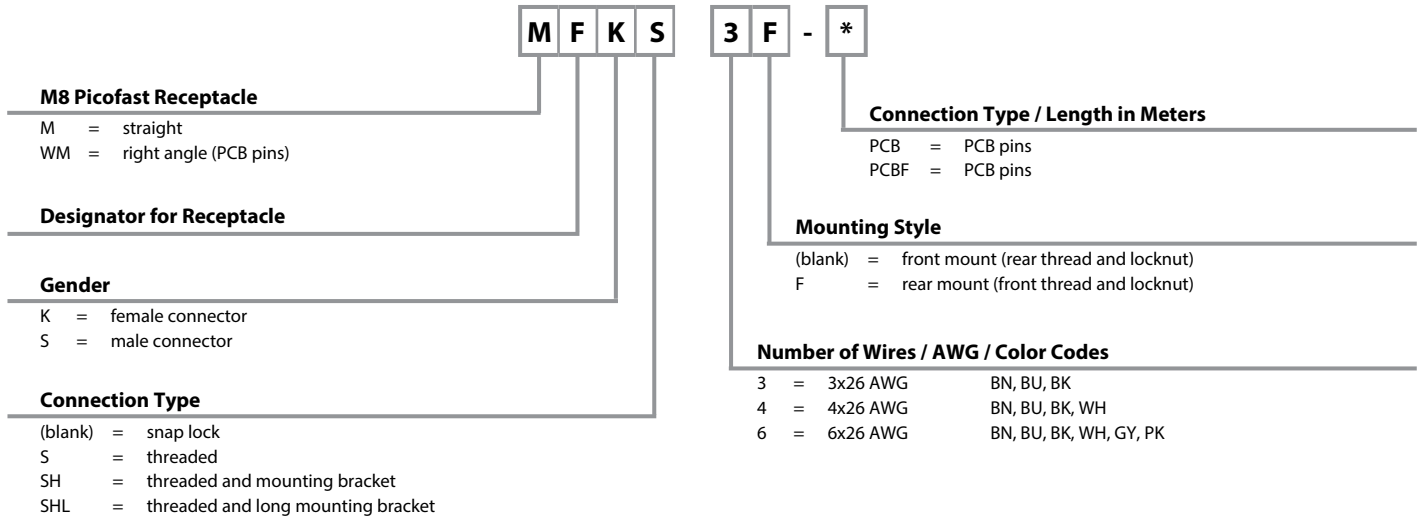
PKW 3M - 2 - PSG 3M



RK 4.4 T - 2 - PKG 4M

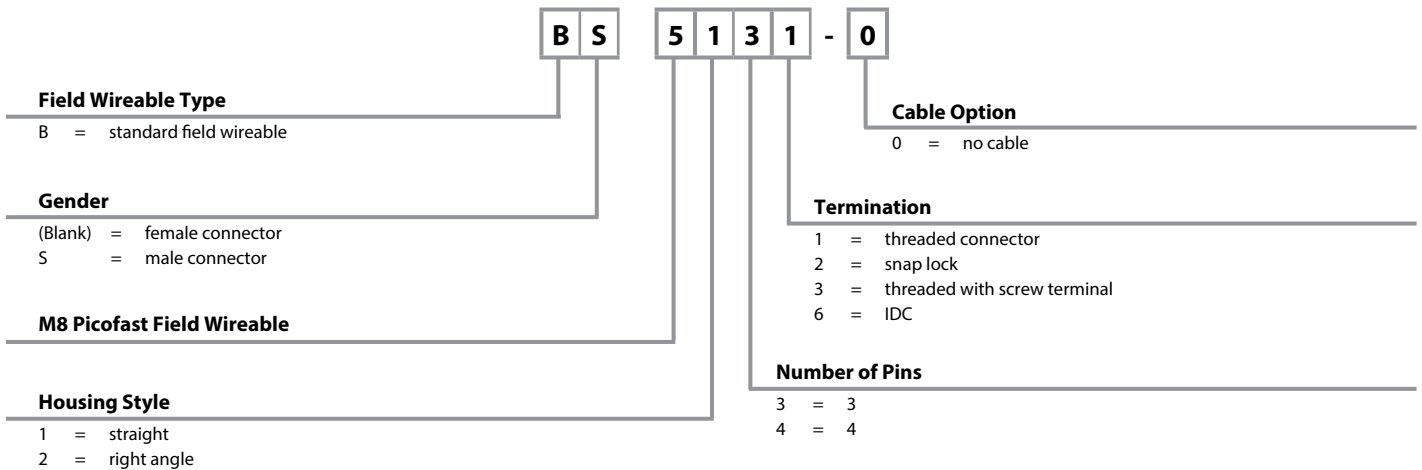
Receptacle Part Number Key

Part Number Keys are to assist in IDENTIFICATION ONLY. Consult factory for catalog items not identified.



picofast®

Field Wireable Part Number Key



## 3-Wire Cordsets, Snap Lock (Locking Sleeve)

- NEMA 1, 3, 4, 6P
- IEC IP67 Protection
- 125 V, 4 A



Connector Style	Female Part Number	Male Part Number	Features	Pinout
<p><b>PKG ..Z**</b></p>	<b>PKG 3Z-*</b> <b>PKW 3Z-*</b>	<b>PSG 3-*</b> <b>PSW 3-*</b>	AWM, PVC Yellow, 3x24 AWG, 105 °C, 4.4 mm OD, Cable #RF50642-*M, Flexlife®	<p><b>Female</b></p> <p><b>Male</b></p>
<p><b>PKW ..Z**</b></p>	<b>PKG 3Z-*/S90</b> <b>PKW 3Z-*/S90</b>	<b>PSG 3-*/S90</b> <b>PSW 3-*/S90</b>	AWM, TPU Black, 3x24 AWG, 90 °C, 4.2 mm OD, Cable #RF50587-*M, Cut/Abrasion Immune	
<p><b>PSG ..</b></p>	<b>PKG 3Z-*/S90/S101</b> <b>PKW 3Z-*/S90/S101</b>	<b>PSG 3-*/S90/S101</b> <b>PSW 3-*/S90/S101</b>	AWM, TPU Black, 3x24 AWG, 90 °C, 4.4 mm OD, Cable #RF51166-*M, Cut/Abrasion Immune, Flexlife-20, High Flex - Over 20 Million Cycles	
<p><b>PSW ..</b></p>	<b>PKG 3Z-*/S90/S618</b> <b>PKW 3Z-*/S90/S618</b>	<b>PSG 3-*/S90/S618</b> <b>PSW 3-*/S90/S618</b>	AWM, TPU Black, 3x24 AWG, 90 °C, 4.2 mm OD, Cable #RF50601-*M, Cut/Abrasion Immune, EMI/RFI Protection	
	<b>PKG 3Z-*/S760</b> <b>PKW 3Z-*/S760</b>	<b>PSG 3-*/S760</b> <b>PSW 3-*/S760</b>	AWM, PVC Black, 3x24 AWG, 105 °C, 4.2 mm OD, Cable #RF50585-M, Flexlife	

\* Length in meters. Standard cable lengths are 2, 4, 5, 6, 8 and 10 meters.

\*\* Locking sleeve material is POM. "PKG..Z".

We reserve the right to make technical alterations without prior notice.

## 4-Wire Cordsets, Snap Lock (Locking Sleeve)

- NEMA 1, 3, 4, 6P
- IEC IP67 Protection
- 125 V, 2 A



Cordsets

We reserve the right to make technical alterations without prior notice.

Connector Style	Female Part Number	Male Part Number	Features	Pinout
<p><b>PKG ..Z**</b></p>	<b>PKG 4Z-*</b> <b>PKW 4Z-*</b>	<b>PSG 4-*</b> <b>PSW 4-*</b>	AWM, PVC Yellow, 4x26 AWG, 105 °C, 4.4 mm OD, Cable #RF50697-*M, Flexlife®	
<p><b>PKW ..Z**</b></p>	<b>PKG 4Z-*/S90</b> <b>PKW 4Z-*/S90</b>	<b>PSG 4-*/S90</b> <b>PSW 4-*/S90</b>	AWM, TPU Black, 4x26 AWG, 90 °C, 4.2 mm OD, Cable #RF50586-*M, Cut/Abrasion Immune	<p><b>Female</b></p>
	<b>PKG 4Z-*/S90/S101</b> <b>PKW 4Z-*/S90/S101</b>	<b>PSG 4-*/S90/S101</b> <b>PSW 4-*/S90/S101</b>	AWM, TPU Black, 4x26 AWG, 90 °C, 4.4 mm OD, Cable #RF50935-*M, Cut/Abrasion Immune, Flexlife-20, High Flex - Over 20 Million Cycles	<p>1. BN 2. WH 3. BU 4. BK</p>
<p><b>PSG ..</b></p>	<b>PKG 4Z-*/S90/S618</b> <b>PKW 4Z-*/S90/S618</b>	<b>PSG 4-*/S90/S101</b> <b>PSW 4-*/S90/S101</b>	AWM, TPU Black, 4x26 AWG, 90 °C, 4.2 mm OD, Cable #RF50602-*M, Cut/Abrasion Immune, EMI/RFI Protection	
<p><b>PSW ..</b></p>	<b>PKG 4Z-*/S760</b> <b>PKW 4Z-*/S760</b>	<b>PSG 4-*/S760</b> <b>PSW 4-*/S760</b>	AWM, PVC Black, 4x26 AWG, 105 °C, 4.4 mm OD, Cable #RF50870-*M, Flexlife	<p><b>Male</b></p>
	<b>PKG 4Z-*/S90/S653</b> <b>PKW 4Z-*/S90/S653</b>	<b>PSG 4-*/S90/S653</b> <b>PSW 4-*/S90/S653</b>	AWM, TPU Black, 3x24 AWG, 90 °C, 4.2 mm OD, Cable #RF50601-*M, Cut/Abrasion Immune, EMI/RFI Protection	<p>1. BN 2. Drain 3. BU 4. BK</p>

\* Length in meters. Standard cable lengths are 2, 4, 5, 6, 8 and 10 meters.

\*\* Locking sleeve material is POM.. "PKG..Z".

## 6-Wire Cordsets, Snap Lock (Locking Sleeve)

- NEMA 1, 3, 4, 6P
- IEC IP67 Protection
- 125 V, 2 A



Connector Style	Female Part Number	Male Part Number	Features	Pinout
<p>PKG ..Z**</p> <p>1.260 [32.0]</p> <p>0.404 [10.2]</p> <p>LOCKING SLEEVE</p>	<p><b>PKG 6Z-*</b></p> <p><b>PKW 6Z-*</b></p>	<p><b>PSG 6-*</b></p> <p><b>PSW 6-*</b></p>	<p>AWM, PVC Yellow, 6x26 AWG, 105 °C, 4.5 mm OD, Cable #RF50734-*M, Flexlife®, UL Listed</p>	<p><b>Female</b></p> <p>1. BN 2. WH 3. BU 4. BK 5. GY 6. PK</p> <p><b>Male</b></p>
<p>PKW ..Z**</p> <p>LOCKING SLEEVE</p> <p>0.665 [16.9]</p> <p>1.140 [29.0]</p>	<p><b>PKG 6Z-*/S90</b></p> <p><b>PKW 6Z-*/S90</b></p>	<p><b>PSG 6-*/S90</b></p> <p><b>PSW 6-*/S90</b></p>	<p>AWM, TPU Black, 6x26 AWG, 90 °C, 4.2 mm OD, Cable #RF50735-*M, Cut/Abrasion Immune</p>	
<p>PSG ..</p> <p>1.228 [31.2]</p> <p>0.331 [8.4]</p>	<p><b>PKG 6Z-*/S90/S618</b></p> <p><b>PKW 6Z-*/S90/S618</b></p>	<p><b>PSG 6-*/S90/S618</b></p> <p><b>PSW 6-*/S90/S618</b></p>	<p>AWM, TPU Black, 6x26 AWG, 90 °C, 4.2 mm OD, Cable #RF51144-M, Cut/Abrasion Immune EMI/RFI Protection</p>	
<p>PSW ..</p> <p>1.089 [27.6]</p> <p>0.720 [18.3]</p> <p>0.327 [8.3]</p>	<p><b>PKG 6Z-*/S760</b></p> <p><b>PKW 6Z-*/S760</b></p>	<p><b>PSG 6-*/S760</b></p> <p><b>PSW 6-*/S760</b></p>	<p>AWM, PVC Black, 6x26 AWG, 105 °C, 4.5 mm OD, Cable #RF51083-*M, Flexlife®, UL Listed</p>	

\* Length in meters. Standard cable lengths are 2, 4, 5, 6, 8 and 10 meters.

\*\* Locking sleeve material is POM. "PKG..Z".

We reserve the right to make technical alterations without prior notice.

## 3-Wire Cordsets, Threaded Coupling Nut

- NEMA 1, 3, 4, 6P
- IEC IP67 Protection
- 125 V, 4 A



We reserve the right to make technical alterations without prior notice.

Connector Style	Female Part Number	Male Part Number	Features	Pinout
<p><b>PKG ..Z**</b></p>	<b>PKG 3M-*</b> <b>PKW 3M-*</b>	<b>PSG 3M-*</b> <b>PSW 3M-*</b>	AWM, PVC Yellow, 3x24 AWG, 105 °C, 4.4 mm OD, Cable #RF50642-*M, Flexlife®	<b>Female</b>  1. BN 3. BU 4. BK
<p><b>PKG 3M-*/S90</b>  <b>PKW 3M-*/S90</b></p>	<b>PKG 3M-*/S90</b> <b>PKW 3M-*/S90</b>	<b>PSG 3M-*/S90</b> <b>PSW 3M-*/S90</b>	AWM, TPU Black, 3x24 AWG, 90 °C, 4.2 mm OD, Cable #RF50587-*M, Cut/Abrasion Immune	
<p><b>PKG 3M-*/S90/S101</b>  <b>PKW 3M-*/S90/S101</b></p>	<b>PKG 3M-*/S90/S101</b> <b>PKW 3M-*/S90/S101</b>	<b>PSG 3M-*/S90/S101</b> <b>PSW 3M-*/S90/S101</b>	AWM, TPU Black, 3x24 AWG, 90 °C, 4.4 mm OD, Cable #RF51166-*M, Cut/Abrasion Immune, Flexlife-20, High Flex - Over 20 Million Cycles	
<p><b>PSG ..M**</b></p>	<b>PKG 3M-*/S90/S618</b> <b>PKW 3M-*/S90/S618</b>	<b>PSG 3M-*/S90/S618</b> <b>PSW 3M-*/S90/S618</b>	AWM, TPU Black, 3x24 AWG, 90 °C, 4.2 mm OD, Cable #RF50601-*M, Cut/Abrasion Immune, EMI/RFI Protection	<b>Male</b>  1. BN 3. BU 4. Drain
<p><b>PKG 3M-*/S1587</b>  <b>PKW 3M-*/S1587</b></p>	<b>PKG 3M-*/S1587</b> <b>PKW 3M-*/S1587</b>	<b>PSG 3M-*/S1587</b> <b>PSW 3M-*/S1587</b>	AWM, TPE Yellow, 3x24 AWG, 105 °C, 4.4 mm OD, Cable #RF51271-*M, Weldlife®, Weld Flash Immune	
<p><b>PKG 3M-*/S760</b>  <b>PKW 3M-*/S760</b></p>	<b>PKG 3M-*/S760</b> <b>PKW 3M-*/S760</b>	<b>PSG 3M-*/S760</b> <b>PSW 3M-*/S760</b>	AWM, PVC Black, 3x24 AWG, 4.2 mm OD, Cable #RF50585-M, Flexlife	
<p><b>PKG 3M-*/S90/S1084</b>  <b>PKW 3M-*/S90/S1084</b></p>	<b>PKG 3M-*/S90/S1084</b> <b>PKW 3M-*/S90/S1084</b>	<b>PSG 3M-*/S90/S1084</b> <b>PSW 3M-*/S90/S1084</b>	AWM, TPU Black, 2x24 AWG, 90 °C, 4.2 mm OD, Cable #RF51197-*M, Cut/Abrasion Immune, Shielded	1. BN 3. BU 4. BK
<p><b>PSG 3F ..**</b></p>		<b>PSG 3F-*</b>	AWM, PVC Yellow, 3x24 AWG, 105 °C, 4.4 mm OD, Cable #RF50642-*M, Fixed coupling nut	

\* Length in meters. Standard cable lengths are 2, 4, 5, 6, 8 and 10 meters.

\*\* Standard coupling material is nickel plated brass..\*PKG..M\*;\*PKG.V..M\* indicates stainless steel.

## 4-Wire Cordsets, Threaded Coupling Nut

- NEMA 1, 3, 4, 6P
- IEC IP67 Protection
- 125 V, 4 A



Connector Style	Female Part Number	Male Part Number	Features	Pinout
<p><b>PKG ..M**</b></p>	<b>PKG 4M-*</b> <b>PKW 4M-*</b>	<b>PSG 4M-*</b> <b>PSW 4M-*</b>	AWM PVC Yellow, 4x26 AWG, 105 °C, 4.4 mm OD, Cable #RF50697-*M, Flexlife®	<p><b>Female</b></p> <p>1. BN 2. WH 3. BU 4. BK</p> <p><b>Male</b></p> <p>1. BN 2. Drain 3. BU 4. BK</p>
<p><b>PKW ..M**</b></p>	<b>PKG 4M-*/S90</b> <b>PKW 4M-*/S90</b>	<b>PSG 4M-*/S90</b> <b>PSW 4M-*/S90</b>	AWM TPU Black, 4x26 AWG, 90 °C, 4.2 mm OD, Cable #RF50586-*M, Cut/Abrasion Immune	
<p><b>PKG ..M**</b></p>	<b>PKG 4M-*/S90/S101</b> <b>PKW 4M-*/S90/S101</b>	<b>PSG 4M-*/S90/S101</b> <b>PSW 4M-*/S90/S101</b>	AWM TPU Black, 4x26 AWG, 90 °C, 4.4 mm OD, Cable #RF50935-*M, Cut/Abrasion Immune, Flexlife-20, High Flex - Over 20 Million Cycles	
<p><b>PSG ..M**</b></p>	<b>PKG 4M-*/S90/S618</b> <b>PKW 4M-*/S90/S618</b>	<b>PSG 4M-*/S90/S618</b> <b>PSW 4M-*/S90/S618</b>	AWM TPU Black, 4x26 AWG, 90 °C, 4.2 mm OD, Cable #RF50602-*M, Cut/Abrasion Immune, EMI/RFI Protection	
<p><b>PSW ..M**</b></p>	<b>PKG 4M-*/S760</b> <b>PKW 4M-*/S760</b>	<b>PSG 4M-*/S760</b> <b>PSW 4M-*/S760</b>	AWM PVC Black, 4x26 AWG, 105 °C, 4.4 mm OD, Cable #RF50870-*M, Flexlife	
<p><b>PSW ..M**</b></p>	<b>PKG 4M-*/S90/S653</b> <b>PKW 4M-*/S90/S653</b>	<b>PSG 4M-*/S90/S653</b> <b>PSW 4M-*/S90/S653</b>	AWM TPU Black, 3x24 AWG, 90 °C, 4.2 mm OD, Cable #RF50601-*M, Cut/Abrasion Immune, EMI/RFI Protection	

\* Length in meters. Standard cable lengths are 2, 4, 5, 6, 8 and 10 meters.

\*\* Standard coupling material is nickel plated brass. "PKG..M"; "PKG..M" indicates stainless steel.

We reserve the right to make technical alterations without prior notice.

## 6-Wire Cordsets, Threaded Coupling Nut

- NEMA 1, 3, 4, 6P
- IEC IP67 Protection
- 125 V, 2 A



Connector Style	Female Part Number	Male Part Number	Features	Pinout
<p><b>PKG ..M**</b></p>	<p><b>PKG 6M-*</b> <b>PKW 6M-*</b></p>	<p><b>PSG 6M-*</b> <b>PSW 6M-*</b></p>	<p>AWM PVC Yellow, 6x26 AWG, 105 °C, 4.5 mm OD, Cable #RF50734-*M, Flexlife®, UL Listed</p>	<p><b>Female</b></p> <p>1. BN 2. WH 3. BU 4. BK 5. GY 6. PK</p> <p><b>Male</b></p>
<p><b>PKW ..M**</b></p>	<p><b>PKG 6M-*/S90</b> <b>PKW 6M-*/S90</b></p>	<p><b>PSG 6M-*/S90</b> <b>PSW 6M-*/S90</b></p>	<p>AWM TPU Black, 6x26 AWG, 90 °C, 4.2 mm OD, Cable #RF50735-*M, Cut/Abrasion Immune</p>	
<p><b>PSG ..M**</b></p>	<p><b>PKG 6M-*/S760</b> <b>PKW 6M-*/S760</b></p>	<p><b>PSG 6M-*/S760</b> <b>PSW 6M-*/S760</b></p>	<p>AWM PVC Black, 6x26 AWG, 105 °C, 4.5 mm OD, Cable #RF51083-*M, Flexlife, UL Listed</p>	
<p><b>PSW ..M**</b></p>	<p><b>PKG 6M-*/S90/S618</b> <b>PKW 6M-*/S90/S618</b></p>	<p><b>PSG 6M-*/S90/S618</b> <b>PSW 6M-*/S90/S618</b></p>	<p>AWM TPU Black, 6x26 AWG, 90 °C, 4.2 mm OD, Cable #RF51144-*M, Cut/ Abrasion Immune EMI/RFI Protection</p>	

We reserve the right to make technical alterations without prior notice.

\* Length in meters. Standard cable lengths are 2, 4, 5, 6, 8 and 10 meters.  
 \*\* Standard coupling material is nickel plated brass. "PKG..M"; "PKG..M" indicates stainless steel.



## 3 and 4-Wire Cordsets, Threaded Coupling Nut, Shielded

- Shield to Coupling Nut
- IEC IP67 Protection
- 125 V, 4 A (3-pin), 2 A (4-pin)



Connector Style	Female Part Number	Male Part Number	Features	Pinout
<p><b>PKG ..M**</b></p>	<p><b>PKGS 3M-*</b> <b>PKWS 3M-*</b></p>	<p><b>PSGS 3M-*</b> <b>PSWS 3M-*</b></p>	<p>AWM, PVC Yellow, 3x24 AWG, 105 °C, 5.1 mm OD, Cable #RF51422-*M, RFI/EMI Shielding Tied to Coupling Nut</p>	<p><b>Female</b></p> <p>1. BN 3. BU 4. BK</p>
<p><b>PKW ..M**</b></p>	<p><b>PKGS 3M-*/S90</b> <b>PKWS 3M-*/S90</b></p>	<p><b>PSGS 3M-*/S90</b> <b>PSWS 3M-*/S90</b></p>	<p>AWM, TPU Black, 3x24 AWG, 90 °C, 5.1 mm OD, Cable #RF51423-*M, RFI/EMI Shielding Tied to Coupling Nut</p>	<p><b>Male</b></p>
<p><b>PSG ..M**</b></p>	<p><b>PKGS 4M-*</b> <b>PKWS 4M-*</b></p>	<p><b>PSGS 4M-*</b> <b>PSWS 4M-*</b></p>	<p>AWM, PVC Yellow, 4x26 AWG, 105 °C, 5.1 mm OD, Cable #RF51424-*M, RFI/EMI Shielding Tied to Coupling Nut</p>	<p><b>Female</b></p> <p>1. BN 2. WH 3. BU 4. BK</p>
<p><b>PSW ..M**</b></p>	<p><b>PKGS 4M-*/S90</b> <b>PKWS 4M-*/S90</b></p>	<p><b>PSGS 4M-*/S90</b> <b>PSWS 4M-*/S90</b></p>	<p>AWM, TPU Black, 4x26 AWG, 90 °C, 5.1 mm OD, Cable #RF51425-*M, RFI/EMI Shielding Tied to Coupling Nut</p>	<p><b>Male</b></p>

We reserve the right to make technical alterations without prior notice.

\* Length in meters. Standard cable lengths are 2, 4, 6, 8 and 10 meters. Consult factory for other lengths.

\*\* Standard coupling material is nickel plated brass.

## 3 and 4-Wire Cordsets, with LEDs, Snap Lock (Locking Sleeve)

- NEMA 1, 3, 4, 6P
- IEC IP67 Protection
- 10-30 VDC, 4 A (3-pin), 2 A (4-pin)



Connector Style	Female Part Number	Features	Pinout
	<b>PKW 3Z-P7X2-*</b>	AWM PVC Yellow, 3x24 AWG, 105 °C, 4.4 mm OD, Cable #RF50642- <i>*M</i> , PNP Signal, Flexlife®	<b>Female</b>  1. BN 3. BU 4. BK
	<b>PKW 3Z-P7X2-*/S90</b>	AWM TPU Black, 3x24 AWG, 90 °C, 4.2 mm OD, Cable #RF50587- <i>*M</i> , PNP Signal, Cut/Abrasion Immune	
	<b>PKW 3Z-P7X2-*/S90/S618</b>	AWM TPU Black, 3x24 AWG, 90 °C, 4.2 mm OD, Cable #RF50601- <i>*M</i> , PNP Signal, Cut/Abrasion Immune, EMI/RFI Protection	
	<b>PKW 3Z-P7X2-*/S90/S101</b>	AWM TPU Black, 3x24 AWG, 90 °C, 4.4 mm OD, Cable #RF51166- <i>*M</i> , PNP Signal, Cut/Abrasion Immune, Flexlife-20, High Flex - over 20 Million Cycles	<b>Female</b>  1. BN 3. BU 4. BK
	<b>PKW 3Z-N7X2-*</b>	AWM PVC Yellow, 3x24 AWG, 105 °C, 4.4 mm OD, Cable #RF50642- <i>*M</i> , NPN Signal, Flexlife	
	<b>PKW 3Z-N7X2-*/S90</b>	AWM TPU Black, 3x24 AWG, 90 °C, 4.2 mm OD, Cable #RF50587- <i>*M</i> , NPN Signal, Cut/Abrasion Immune	
	<b>PKW 3Z-N7X2-*/S90/S618</b>	AWM TPU Black, 3x24 AWG, 90 °C, 4.2 mm OD, Cable #RF50601- <i>*M</i> , NPN Signal, Cut/Abrasion Immune, EMI/RFI Protection	<b>Male</b>  1. BN 2. WH 3. BU 4. BK
	<b>PKW 3Z-N7X2-*/S90/S101</b>	AWM TPU Black, 3x24 AWG, 90 °C, 4.4 mm OD, Cable #RF51166- <i>*M</i> , NPN Signal, Cut/Abrasion Immune, Flexlife-20, High Flex - over 20 Million Cycles	
	<b>PKW 4Z-P7X2-*</b>	AWM PVC Yellow, 4x26 AWG, 105 °C, 4.4 mm OD, Cable #RF50697- <i>*M</i> , PNP Signal, Flexlife	
<b>PKW 4Z-P7X2-*/S90</b>	AWM TPU Black, 4x26 AWG, 90 °C, 4.2 mm OD, Cable #RF50586- <i>*M</i> , PNP Signal, Cut/Abrasion Immune	<b>Male</b>  1. BN 2. WH 3. BU 4. BK	
<b>PKW 4Z-P7X2-*/S90/S101</b>	AWM TPU Black, 4x26 AWG, 90 °C, 4.4 mm OD, Cable #RF50935- <i>*M</i> , PNP Signal, Cut/Abrasion Immune, Flexlife-20, High Flex - Over 20 Million Cycles		

We reserve the right to make technical alterations without prior notice.

\* Length in meters. Standard cable lengths are 2, 4, 6, 8 and 10 meters.

\*\* Locking sleeve material is POM..“PKW..Z”.

## 3 and 4-Wire Cordsets, Threaded Coupling Nut, Shielded

- NEMA 1, 3, 4, 6P
- IEC IP67 Protection
- 10-30 VDC, 4 A



Connector Style	Female Part Number	Male Part Number	Features	Pinout
	<b>PKW 3M-P7X2-*</b>	<b>PSW 3M-P7X2-*</b>	AWM PVC Yellow, 3x24 AWG, 105 °C, 4.4 mm OD, Cable #RF50642- <i>M</i> , PNP Signal, Flexlife®	<p style="text-align: center;"><b>Female</b></p> <p>1. BN 3. BU 4. BK</p>
	<b>PKW 3M-P7X2-*/S90</b>	<b>PSW 3M-P7X2-*/S90</b>	AWM TPU Black, 3x24 AWG, 90 °C, 4.2 mm OD, Cable #RF50587- <i>M</i> , PNP Signal, Cut/Abrasion Immune	
	<b>PKW 3M-P7X2-*/S90/S101</b>	<b>PSW 3M-P7X2-*/S90/S101</b>	AWM TPU Black, 3x24 AWG, 90 °C, 4.4 mm OD, Cable #RF51166- <i>M</i> , PNP Signal, Cut/Abrasion Immune, Flexlife-20, High Flex - over 20 Million Cycles	
	<b>PKW 3M-P7X2-*/S90/S618</b>		AWM TPU Black, 3x24 AWG, 90 °C, 4.2 mm OD, Cable #RF50601- <i>M</i> , PNP Signal, Cut/Abrasion Immune, EMI/RFI Protection	
	<b>PKW 3M-N7X2-*</b>		AWM PVC Yellow, 3x24 AWG, 105 °C, 4.4 mm OD, Cable #RF50642- <i>M</i> , NPN Signal, Flexlife	
	<b>PKW 3M-N7X2-*/S90</b>		AWM TPU Black, 3x24 AWG, 90 °C, 4.2 mm OD, Cable #RF50587- <i>M</i> , NPN Signal, Cut/Abrasion Immune	
	<b>PKW 3M-N7X2-*/S90/S101</b>		AWM TPU Black, 3x24 AWG, 90 °C, 4.4 mm OD, Cable #RF51166- <i>M</i> , NPN Signal, Cut/Abrasion Immune, Flexlife-20, High Flex - over 20 Million Cycles	
	<b>PKW 3M-N7X2-*/S90/S618</b>		AWM TPU Black, 3x24 AWG, 90 °C, 4.2 mm OD, Cable #RF50601- <i>M</i> , NPN Signal, Cut/Abrasion Immune, EMI/RFI Protection	

\* Length in meters. Standard cable lengths are 2, 4, 6, 8 and 10 meters. Consult factory for other lengths.  
 \*\* Standard coupling material is nickel plated brass.

We reserve the right to make technical alterations without prior notice.

4-Wire Cordsets, with LEDs, Threaded Coupling Nut

- NEMA 1, 3, 4, 6P
- IEC IP67 Protection
- 10-30 VDC, 2 A



Connector Style	Female Part Number	Features	Pinout
	<b>PKW 4M-P7X2-*</b>	AWM PVC Yellow, 4x26 AWG, 105 °C, 4.4 mm OD, Cable #RF50697-*M, PNP Signal, Flexlife®	<p><b>Female</b></p> <p>1. BN 2. WH 3. BU 4. BK</p>
	<b>PKW 4M-P7X2-*/S90</b>	AWM TPU Black, 4x26 AWG, 90 °C, 4.2 mm OD, Cable #RF50586-*M, PNP Signal, Cut/Abrasion Immune	
	<b>PKW 4M-P7X2-*/S90/S101</b>	AWM TPU Black, 4x26 AWG, 90 °C, 4.4 mm OD, Cable #RF50935-*M, PNP Signal, Cut/Abrasion Immune, Flexlife-20, High Flex - over 20 Million Cycles	
	<b>PKW 4M-P7X2-*/S90/S618</b>	AWM TPU Black, 4x26 AWG, 90 °C, 4.2 mm OD, Cable #RF50602-*M, PNP Signal, Cut/Abrasion Immune, EMI/RFI Protection	

\* Length in meters. Standard cable lengths are 2, 4, 6, 8 and 10 meters.  
 \*\* Locking sleeve material is POM.. "PKW..Z".

We reserve the right to make technical alterations without prior notice.

Cordsets

## 3 and 4-Wire Spiral Cordsets, Snap Lock (Locking Sleeve)

- NEMA 1, 3, 4, 6P
- IEC IP67 Protection
- 125 V, 4 A (3-pin) and 2 A (4-pin)



Connector Style	Female Part Number	Male Part Number	Features	Pinout
<p><b>PKG ..Z**</b></p>	<p><b>PKG 3Z-3/S90-SP</b> <b>PKW 3Z-3/S90-SP</b></p>	<p><b>PSG 3-3/S90-SP</b> <b>PSW 3-3/S90-SP</b></p>	<p>AWM TPU Black, 4x26 AWG, 90 °C, 125 VAC/VDC, 4 A, 4.2 mm OD, for repetitive motion 3-wire applications, snap lock coupling nut</p>	<p><b>Female</b></p>
<p><b>PKW ..Z**</b></p>				<p><b>Male</b></p>
<p><b>PSG ..</b></p>	<p><b>PKG 4Z-3/S90-SP</b> <b>PKW 4Z-3/S90-SP</b></p>	<p><b>PSG 4-3/S90-SP</b> <b>PSW 4-3/S90-SP</b></p>	<p>AWM TPU Black, 4x26 AWG, 90 °C, 125 VAC/VDC, 2 A, 4.2 mm OD, for repetitive motion 4-wire applications, snap lock coupling nut</p>	<p><b>Female</b></p>
<p><b>PSW ..</b></p>				<p><b>Male</b></p>

We reserve the right to make technical alterations without prior notice.

\* Length in meters. Standard cable length is 3 meters. Consult factory for other lengths.

\*\* Locking sleeve material is POM.. "PKG(W)..Z".

## 3 and 4-Wire Spiral Cordsets, Threaded Coupling Nut

- NEMA 1, 3, 4, 6P
- IEC IP67 Protection
- 125 VAC/VDC, 4 A (3-pin) and 2 A (4-pin)



Connector Style	Female Part Number	Male Part Number	Features	Pinout
<p><b>PKG ..Z**</b></p>	<b>PKG 3M-3/S90-SP</b> <b>PKW 3M-3/S90-SP</b>	<b>PSG 3M-3/S90-SP</b> <b>PSW 3M-3/S90-SP</b>	AWM TPU Black, 4x26 AWG, 90 °C, 125 VAC/VDC, 4 A, 4.2 mm OD, for repetitive motion 3-wire applications, threaded coupling nut	<p><b>Female</b></p> <p><b>Male</b></p>
<p><b>PKW ..Z**</b></p>				
<p><b>PSG ..</b></p>	<b>PKG 4M-3/S90-SP</b> <b>PKW 4M-3/S90-SP</b>	<b>PSG 4M-3/S90-SP</b> <b>PSW 4M-3/S90-SP</b>	AWM TPU Black, 4x26 AWG, 90 °C, 125 VAC/VDC, 2 A, 4.2 mm OD, for repetitive motion 4-wire applications, threaded coupling nut	<p><b>Female</b></p> <p><b>Male</b></p>
<p><b>PSW ..</b></p>				

We reserve the right to make technical alterations without prior notice.

\* Length in meters. Standard cable length is 3 meters. Consult factory for other lengths.  
 \*\* Locking sleeve material is POM.. "PKW..Z".

Cordsets