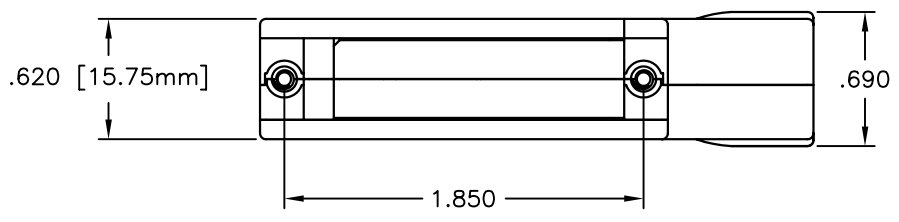
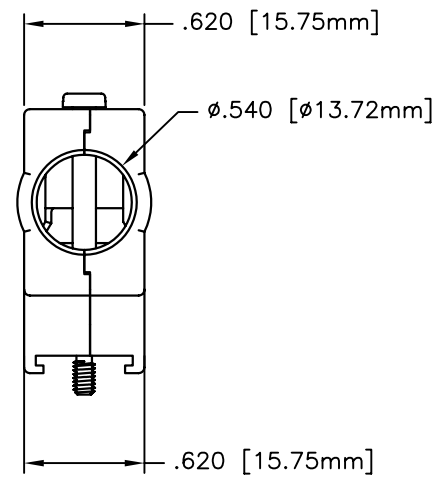
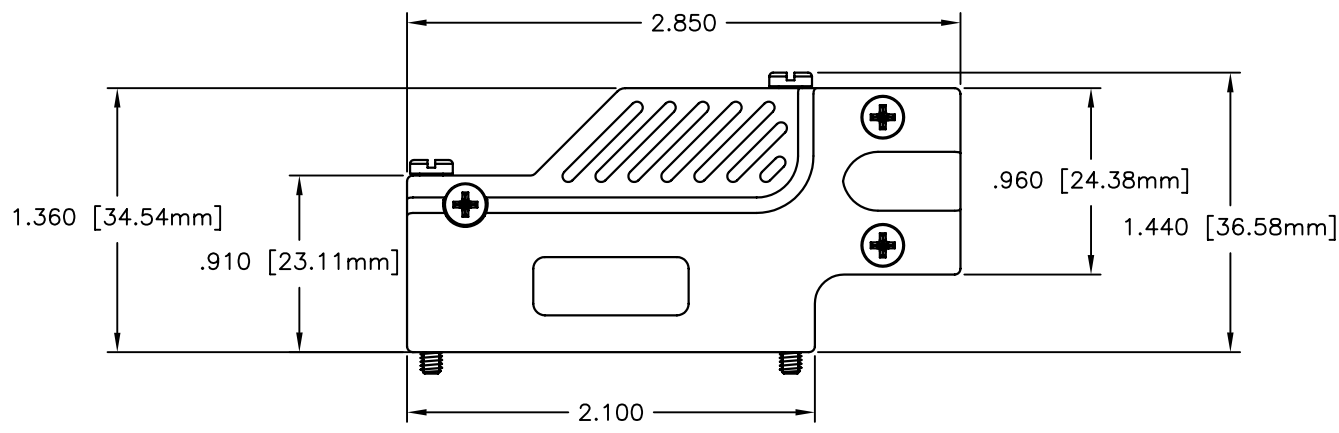


REV	DATE	DESCRIPTION	APP



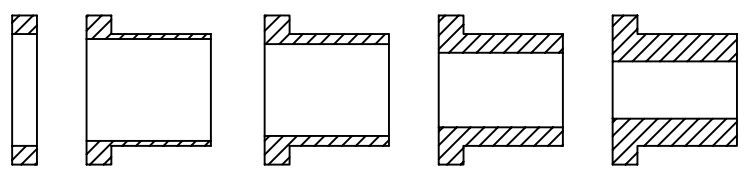
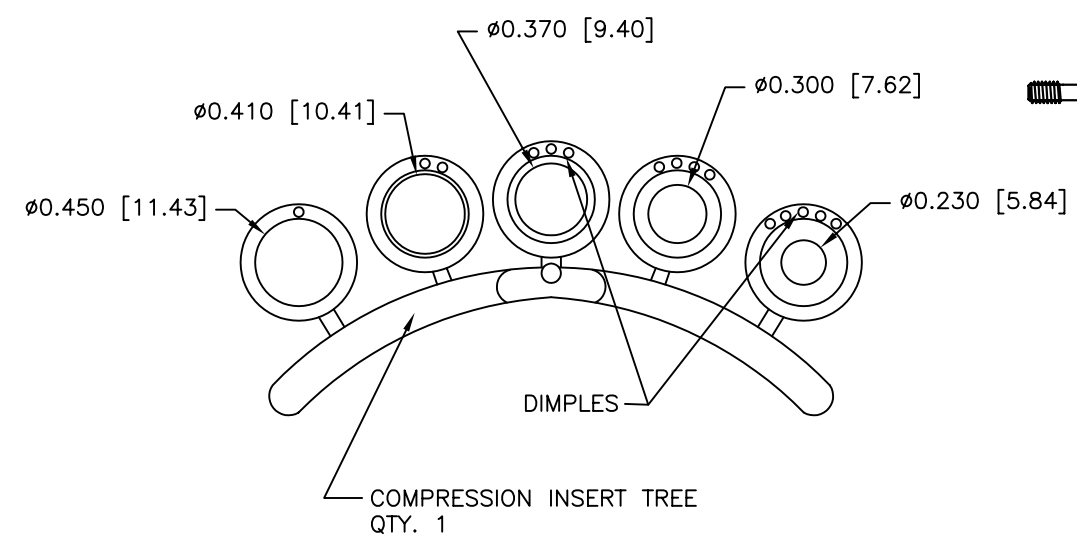
#4-40 X 0.5" PHILLIPS HEAD MACHINE SCREW  
 - LOW CARBON STEEL, BRIGHT ZINC  
 (HEXAVALENT CHROMIUM FREE)  
 QTY.: 3 EACH



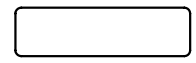
#4-40 X 1.10" SLOTTED CAPTIVE SCREW  
 - LOW CARBON STEEL, NICKEL PLATED  
 QTY.: 1 EACH



#4-40 X 1.55" SLOTTED CAPTIVE SCREW  
 - LOW CARBON STEEL, NICKEL PLATED  
 QTY.: 1 EACH



THIS IS A CONTROLLED DOCUMENT AND IS SUBJECT TO CHANGE. CONTACT NORTHERN TECHNOLOGIES ENGINEERING FOR THE LATEST REVISION.

NO LOGO  


PART NUMBER INFORMATION

PART#	LOGO STYLE	SUPPLIED
NA30E920000	NO LOGO TOP COVER	BULK
NA30E920100	BOTTOM COVER	BULK
N30E920000	NO LOGO	PACKAGED

CONNECTOR COVER:

- 1.MATERIAL: ZINC ALLOY
- 2.FINISH: NICKEL PLATING PER NTC SPECIFICATION N/T 000400
- 3.DIMENSIONS: INCHES [MM]
- 4.TOLERANCE:  $\pm 0.015$  [0.381]

COMPRESSION INSERT TREE

- 1.MATERIAL: THERMOPLASTIC
- 2.COLOR: BLACK
- 3.DUROMETER: 75  $\pm 5$  TYPE A PER ASTM D2240
- 4.DIMENSIONS: INCHES [MM]
- 5.TOLERANCE:  $\pm 0.020$  [0.508]

UNLESS OTHERWISE SPECIFIED	SIGNATURES	DATE	Northern Technologies		
1. ALL DIMENSIONS ARE IN INCHES (MM) 2. DIMENSIONS ARE TYPICAL	DRAWN	JSD	02-JAN-06		
	CHECKED	SCN	02-JAN-06		
	ISSUED		02-JAN-06		
			THIS DRAWING IS THE PROPERTY OF NORTHERN TECHNOLOGIES AND SHOULD NOT BE REPRODUCED WITHOUT NORTHERN TECHNOLOGIES WRITTEN PERMISSION.		
			PART NUMBER SEE PART NUMBER INFORMATION		
			DESCRIPTION CM 25 90 DEGREE ULTRA LOW PROFILE		
		SHEET	CODE	DWG NO.	
		1	200_207	0002-200-207	
		SCALE			SHEET
		N.T.S.			1 OF 1