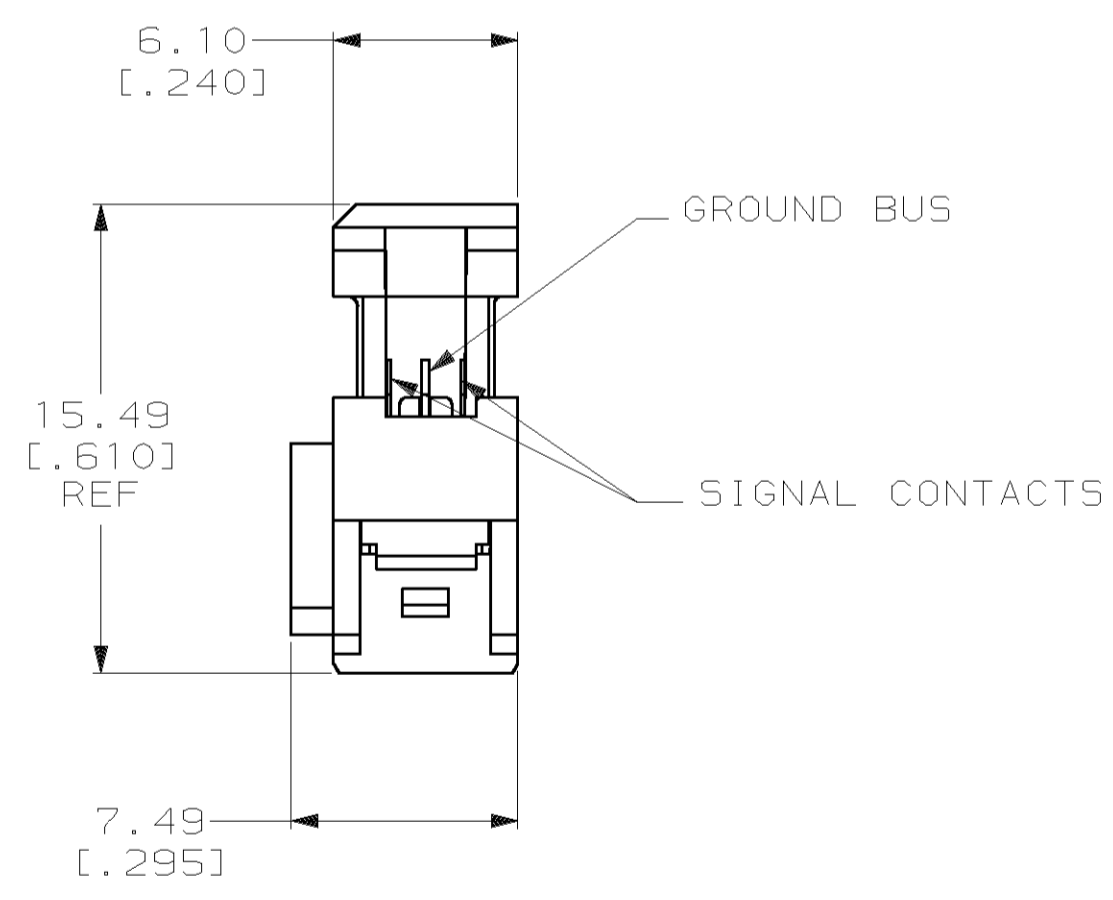
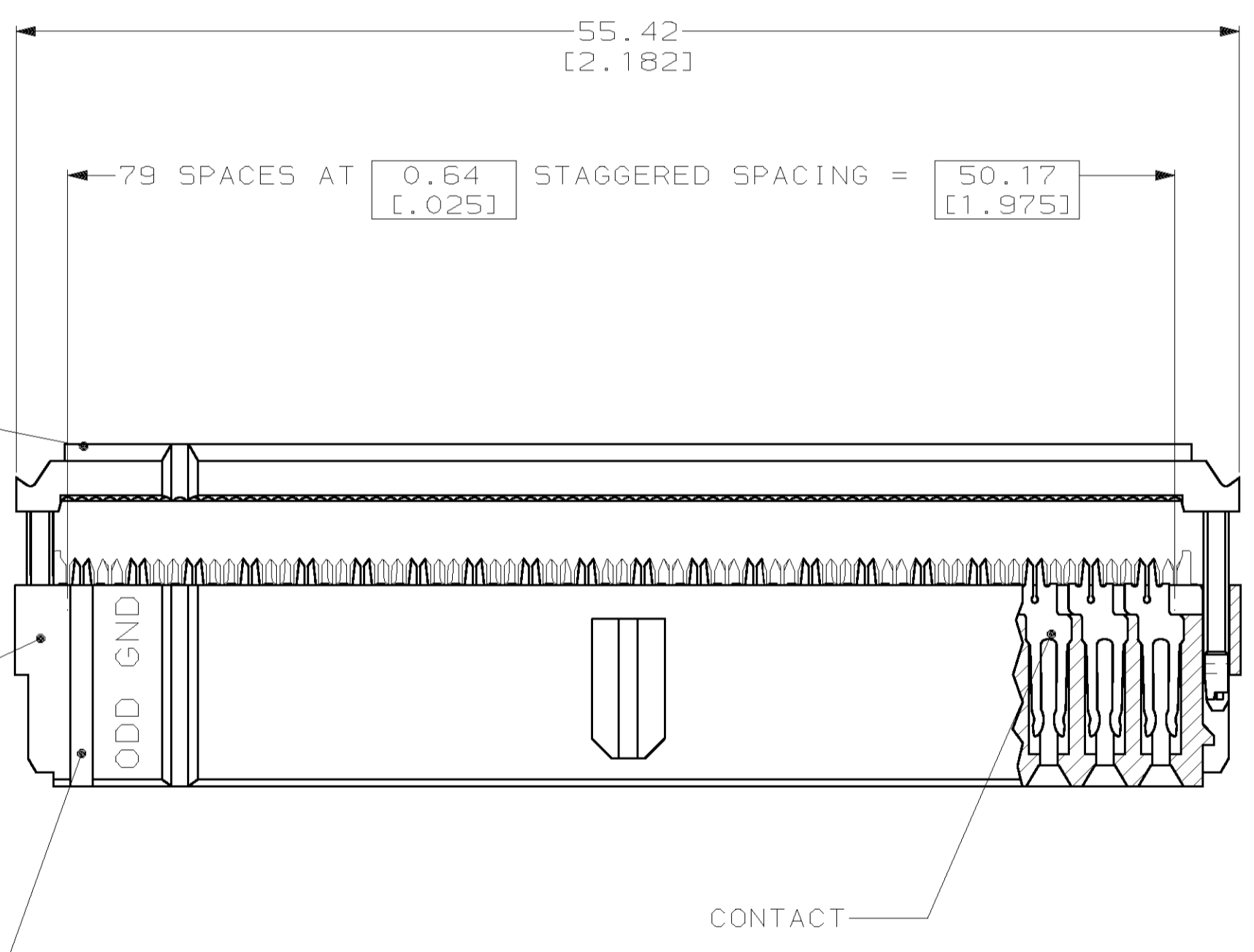
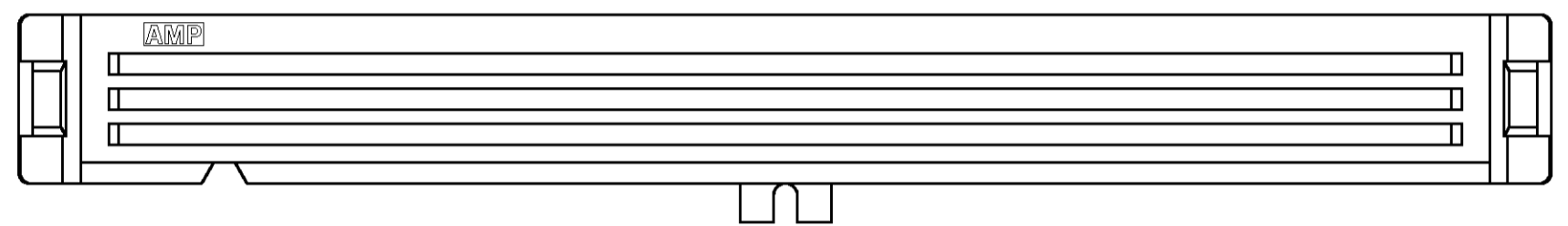


LOC	DIST	REVISIONS			
F	CHR	DESCRIPTION	DATE	OWN	APVD
D		REVISED PER EC 051A-0008-99	21 JUL 99	JG	CR
E		REV PRE 051A-0048-01	06/12/01	MM	CR

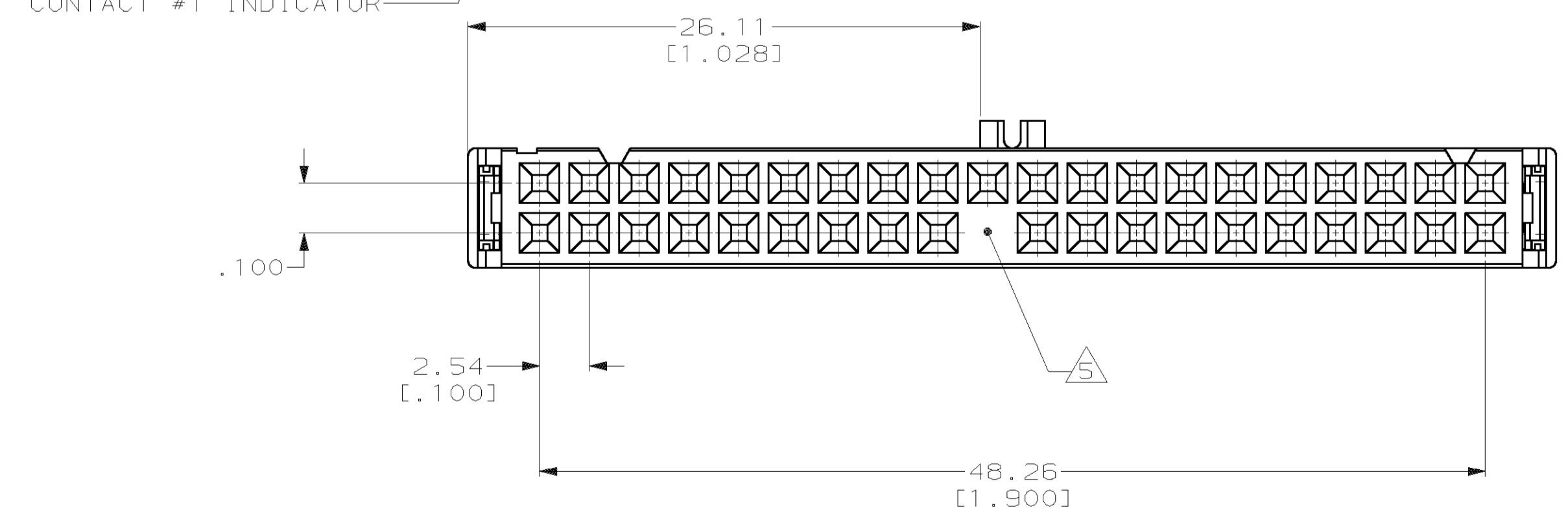


TERMINATED VIEW



- 1. HOUSING: THERMOPLASTIC, UL 94V-0 RATED, SEE TABLE.
COVER: THERMOPLASTIC, UL 94V-0 RATED, BLACK.
CONTACTS: PHOSPHOR BRONZE PER QQ-B-750.
- 2. CONTACTS: 0.38µm[.000015] MIN GOLD ON LOCALIZED PLATE AREA, 2.54µm[.000100] MIN TIN-LEAD ON TERMINATION END, ALL OVER 1.27µm[.000050] MIN NICKEL ON ENTIRE CONTACT.
- 3. CONTACT 34 GROUNDED.
- 4. NO CONTACT AT POSITION 28.
- 5. MOLDED KEYING AT CONTACT 20.
- 6. NO GAP ALLOWED BETWEEN COVER AND HOUSING AT TERMINATION. .012 MAX GAP AT ANY OTHER TIME AFTER TERMINATION.
- 7. ALL ODD CABLE CONDUCTORS TERMINATE DIRECTLY TO THE GROUND BUS IN ALL CONNECTORS.
- 8. ALL EVEN CABLE CONDUCTORS TERMINATE TO CONNECTOR CONTACT NUMBERS USING THE FOLLOWING FORMULA: CABLE CONDUCTOR "X" TERMINATES TO CONNECTOR CONTACT NUMBER X/2. EXAMPLE: CABLE CONDUCTOR 46 TERMINATES TO CONNECTOR CONTACT NUMBER 23 (46/2).
- 9. EXCEPTIONS TO NOTE 8 AND DIFFERENCES BETWEEN CONNECTORS ARE SHOWN IN THE TABLE BELOW.

CABLE CONDUCTOR #	CABLE CONDUCTOR # SHOWN CONNECTS TO:		
	BLUE CONNECTOR CONTACT #	BLACK CONNECTOR CONTACT #	GRAY CONNECTOR CONTACT #
4	2 & GROUND BUS	2 & GROUND BUS	2 & GROUND BUS
38	19 & GROUND BUS	19 & GROUND BUS	19 & GROUND BUS
44	22 & GROUND BUS	22 & GROUND BUS	22 & GROUND BUS
48	24 & GROUND BUS	24 & GROUND BUS	24 & GROUND BUS
52	26 & GROUND BUS	26 & GROUND BUS	26 & GROUND BUS
56	28	28	NC (OPEN)
60	30 & GROUND BUS	30 & GROUND BUS	30 & GROUND BUS
68	34 & GROUND BUS	34	34
80	40 & GROUND BUS	40 & GROUND BUS	40 & GROUND BUS



DEVICE (1) SLAVE	GRAY	4 120613-3
SYSTEMS BOARD	BLUE	3 120613-2
DEVICE (0) PRIMARY	BLACK	120613-1
CONNECTOR TYPE	HOUSING COLOR	PART NUMBER

THIS DRAWING IS A CONTROLLED DOCUMENT.

DIMENSIONS: mm (INCHES)	TOLERANCES UNLESS OTHERWISE SPECIFIED: 0 PLC ± 1 PLC ± 2 PLC ±0.08(.003) 3 PLC ± 4 PLC ± ANGLES ±	DWG: C. REIFSNYDER 11 NOV 97 CHK: J. HAVENER 20 NOV 97 APP'D: J. HAVENER 20 NOV 97 NAME: RECEPTACLE ASSY, 40 POS, 80 POS CABLE, CENTER & MIL POL ULTRA NOVO, AMP-LATCH PRODUCT SPEC: 108-1740 APPLICATION SPEC: 114-40056 WEIGHT: - CUSTOMER DRAWING	AMP Incorporated Harrisburg, PA 17105-3608 SIZE: A1 SCALE: 4:1 SHEET: 1 of 1 REV: E
----------------------------	---	---	--