

# 22mm Twin Touch Metal LED Illuminated Operators

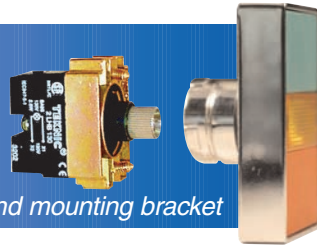


Certified for  
**NEMA Type 4X**  
12 environment.

## Illuminated Center Twin Touch/ Not Marked

with LED bulb, bulb holder and mounting bracket

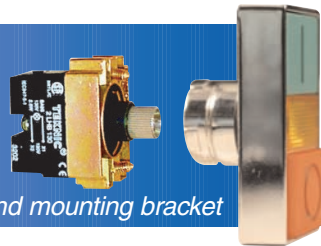
Arrows marking available upon request.  
Other lense colors available upon request.



## Illuminated Center Twin Touch/ I-O Marked

with LED bulb, bulb holder and mounting bracket

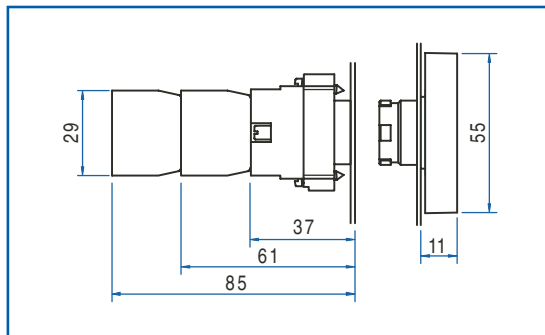
Arrows marking available upon request.  
Other lense colors available upon request.



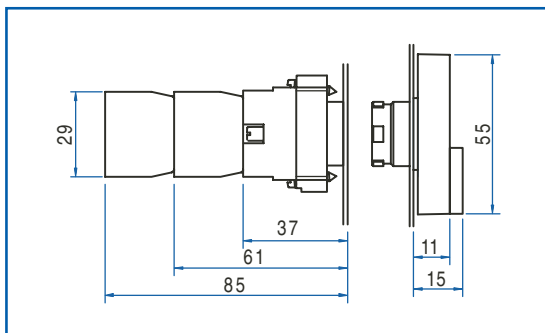
## Dimensional Drawings

All dimensions shown in millimeters.  
To convert to inches multiply by 0.03937

Illuminated Twin Touch/ Flush



Illuminated Twin Touch/ Flush/ Projecting

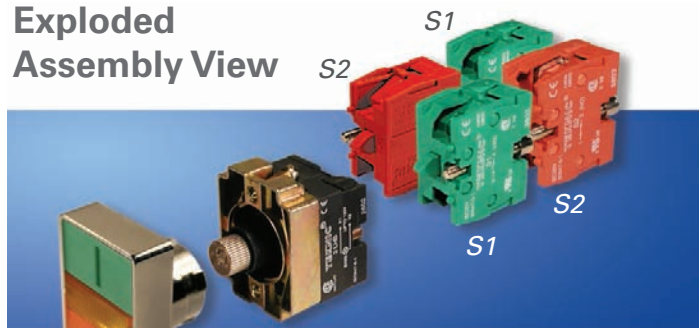


Color	Description	Cat No.
<b>GREEN-RED, Flush, Illuminated Center</b>		
Amber	12VAC/DC	2ATL5LB F3F4-012
Amber	24VAC/DC	2ATL5LB F3F4-024
Amber	48VAC/DC	2ATL5LB F3F4-048
Amber	110VAC/DC	2ATL5LB F3F4-110
Amber	230VAC**	2ATL5LB F3F4-230
<b>GREEN-RED, Green Flush/ Red Projecting, Illuminated center</b>		
Amber	12VAC/DC	2ATL5LB F3P4-012
Amber	24VAC/DC	2ATL5LB F3P4-024
Amber	48VAC/DC	2ATL5LB F3P4-048
Amber	110VAC/DC	2ATL5LB F3P4-110
Amber	230VAC**	2ATL5LB F3P4-230

Color	Description	Cat No.
<b>GREEN-RED, Flush, Illuminated Center</b>		
Amber	12VAC/DC	2ATL5LB F3F4-IO-012
Amber	24VAC/DC	2ATL5LB F3F4-IO-024
Amber	48VAC/DC	2ATL5LB F3F4-IO-048
Amber	110VAC/DC	2ATL5LB F3F4-IO-110
Amber	230VAC**	2ATL5LB F3F4-IO-230
<b>GREEN-RED, Green Flush/ Red Projecting, Illuminated Center</b>		
Amber	12VAC/DC	2ATL5LB F3P4-IO-012
Amber	24VAC/DC	2ATL5LB F3P4-IO-024
Amber	48VAC/DC	2ATL5LB F3P4-IO-048
Amber	110VAC/DC	2ATL5LB F3P4-IO-110
Amber	230VAC**	2ATL5LB F3P4-IO-230
<b>WHITE-BLACK*, Flush, Illuminated Center</b>		
Amber	12VAC/DC	2ATL5LB F2F1-IO-012
Amber	24VAC/DC	2ATL5LB F2F1-IO-024
Amber	48VAC/DC	2ATL5LB F2F1-IO-048
Amber	110VAC/DC	2ATL5LB F2F1-IO-110
Amber	230VAC**	2ATL5LB F2F1-IO-230

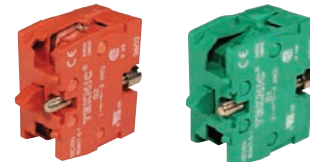
\* Comply with vision impaired requirements. \*\* DC also available.

## Exploded Assembly View



- Up to four switch contacts can be installed with any illuminated operators.
- Switch contacts and operators are sold separately. Preassembled push buttons are available on request.

## Switch Contacts (sold separately)



	Panel Mount Cat No.	Base Mount* Cat No.
Normally Open Silver	S1	S5
Normally Closed Silver	S2	S6
Normally Open Gold plated	S3	S7
Normally Closed Gold plated	S4	S8

\* For use with non-illuminated operators in thermoplastic or aluminum enclosures listed on pages 30 and 36-37.