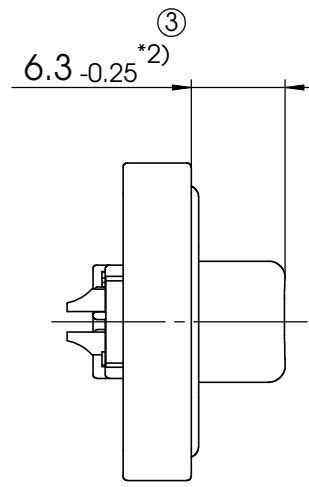
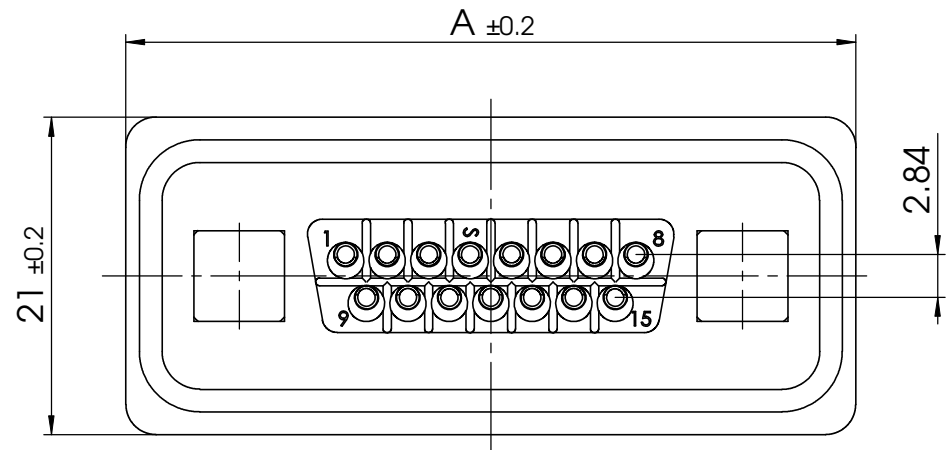
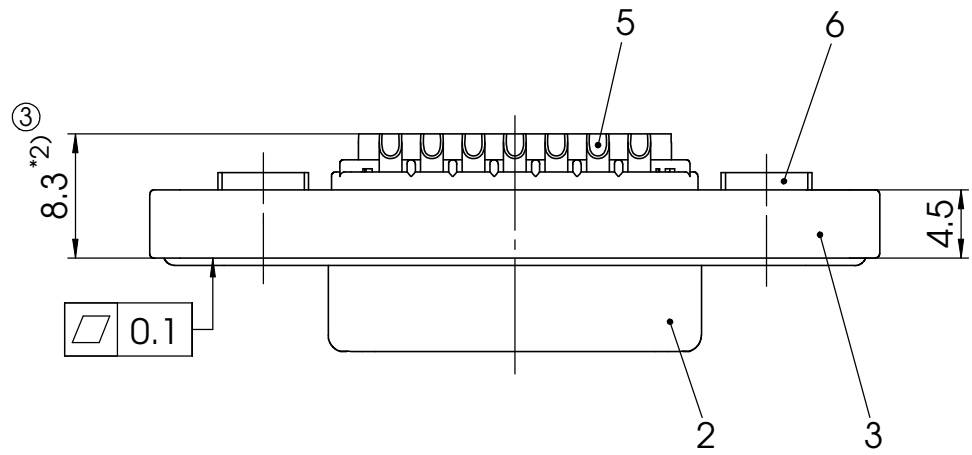
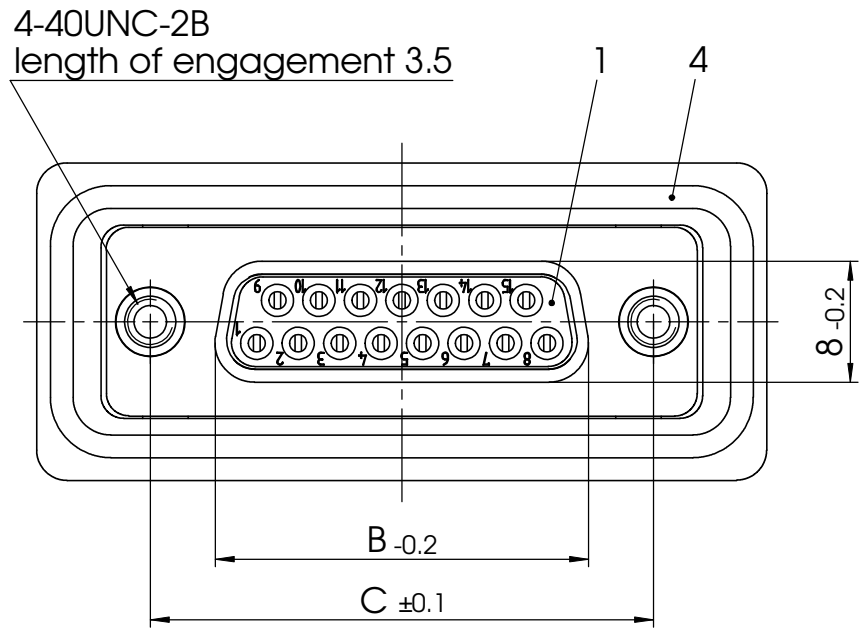


COMMENT:
ALL RIGHTS ARE RESERVED BY US FOR THIS DRAWING. WITHOUT OUR PRIOR CONSENT,
IT MAY NEITHER BE REPRODUCED NOR MADE AVAILABLE TO A THIRD PARTY.
AND IT ALSO MAY NOT BE IMPROPERLY USED BY THE RECEIVER, OR A THIRD PARTY.



FWDRxx *1) S

e.g. FWDR15S

*1) xx No. of contacts 09, 15 or 25

xx	A mm	B mm	C mm
09	40	16.4	25
15	48.3	24.7	33.3
25	62	38.5	47.04

③ *2) Dimension starts from front surface of shell (Part-No. 2)

- ② max. torque are 40 Ncm
D-Sub connector with watertight frame,
Protection standard IP67, 100% checked
- ② according to DIN EN 60529 (compl. mounted)

No.	St.	Part	Type Description/Material	Surface plating/Colour/Class
6	2	Clinch nut	WD 4-40 / Brass	tin plated
5	xx	Signal contact	SO / Brass	0.8µm Au / AWG 20
4	1	O-ring seal	Silicone / UL94V-0	red
3	1	Watertight frame	PBT	black
2	1	Shell	Brass	tin plated
1	1	Insulator	PBT (-25°C - +70°C)	red

	Measurement without tolerance occ. to ISO 2768-m	SCALE 2:1	TITLE Waterproof Connector System	
	NAME / DATE			
	DRAWN sschref 06-08-2003		DWG.NO.	FWDRxxS
	CHECKED BWittek 10-08-2010		REV.	
4	28-06-2010	22622	FCT group fctgroup.com	
3	09-02-2010	22288	REPLACEMENT FOR:	FWDRxxSa_ACAD
2	15-10-2007	21985	ORIGINAL: DIN A3-DRAWING AS A FILE	PAGES 1
1				
REV.	DATE	CH.-NO.		