



Have a Question?
 Chat with a Product Information Specialist

What can we help you find?

[Products](#) |
 [Industries](#) |
 [Resources](#) |
 [About TE](#) |
 [My Account](#) |
 [Innovation](#) |
 [Support Center](#)

206061-1 Product Details

[Share](#) |
 [Print](#) |
 [Email](#)



206061-1

TE Internal Number: 206061-1

Active

View 3D PDF

CPC (Circular Plastic) and Circular Metal-Shell Connectors

Always EU RoHS/ELV Compliant (Statement of Compliance)

Product Highlights:

- Housing
- Connector Style = Receptacle
- 4 Positions
- 4 Signal Positions
- 0 Power Positions

[View all Features](#)

Quick Links

- ▶ [Pricing & Availability](#)
- ▶ [Search for Tooling](#)
- ▶ [View Mating Products \(1\)](#)
- ▶ [Product Feature Selector](#)
- ▶ [Contact Us About This Product](#)

[Add to My Part List](#) |
 [Request Sample](#) |
 [Find Similar Products](#) |
 [Buy Product](#)

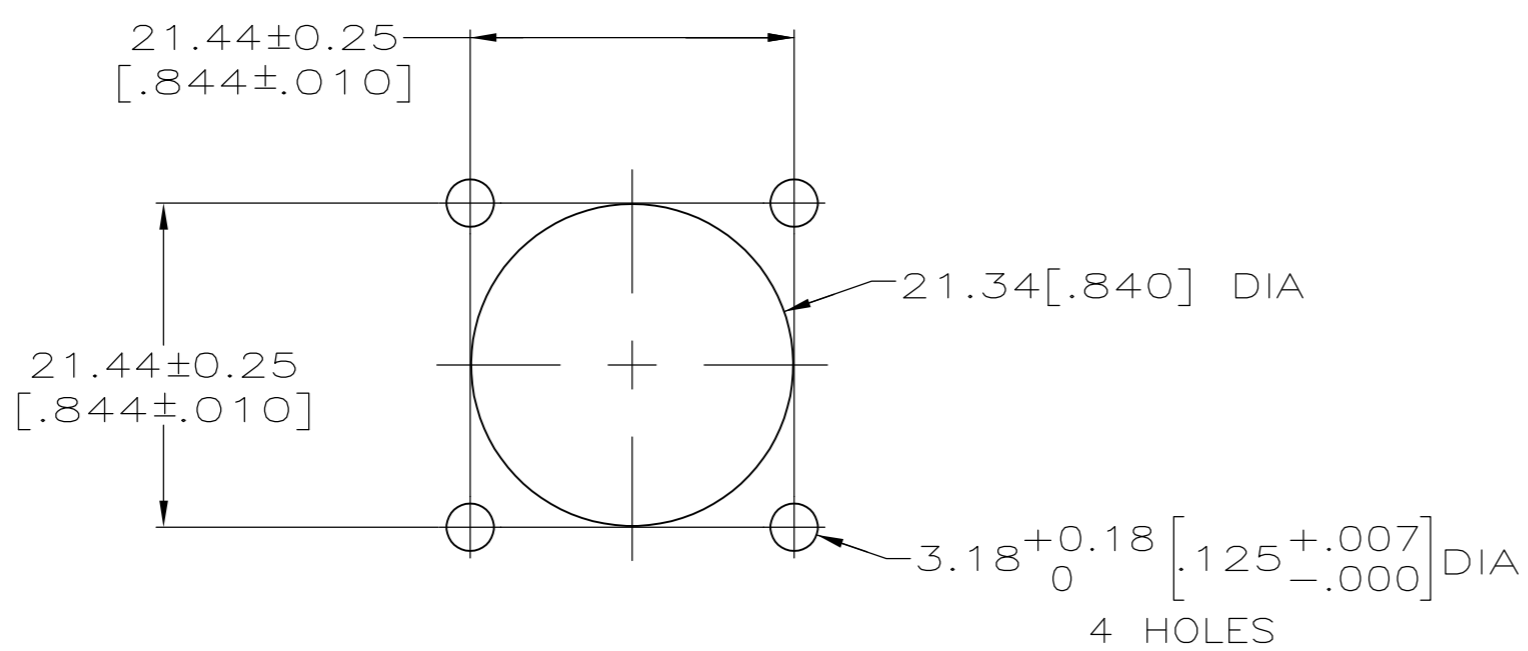
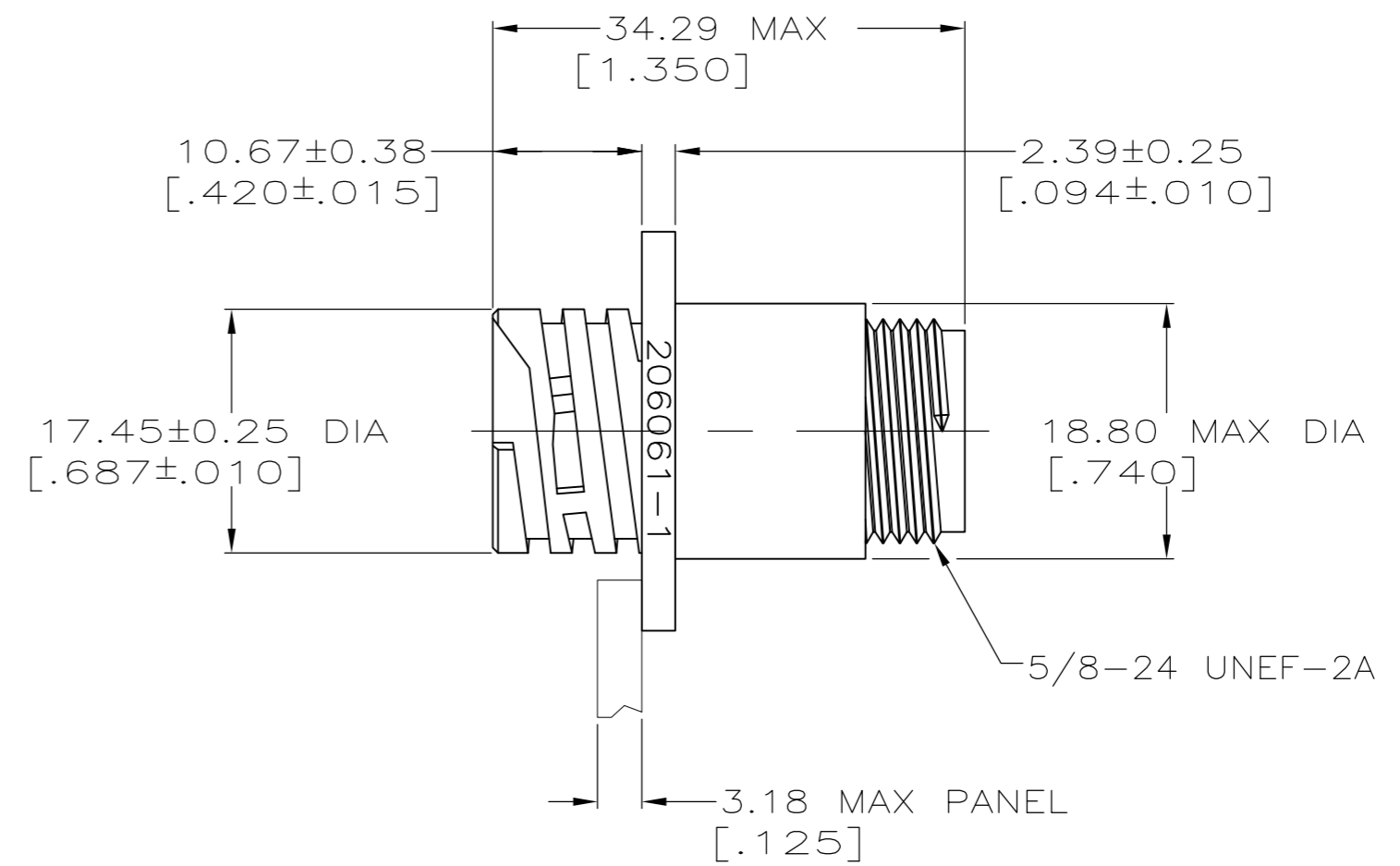
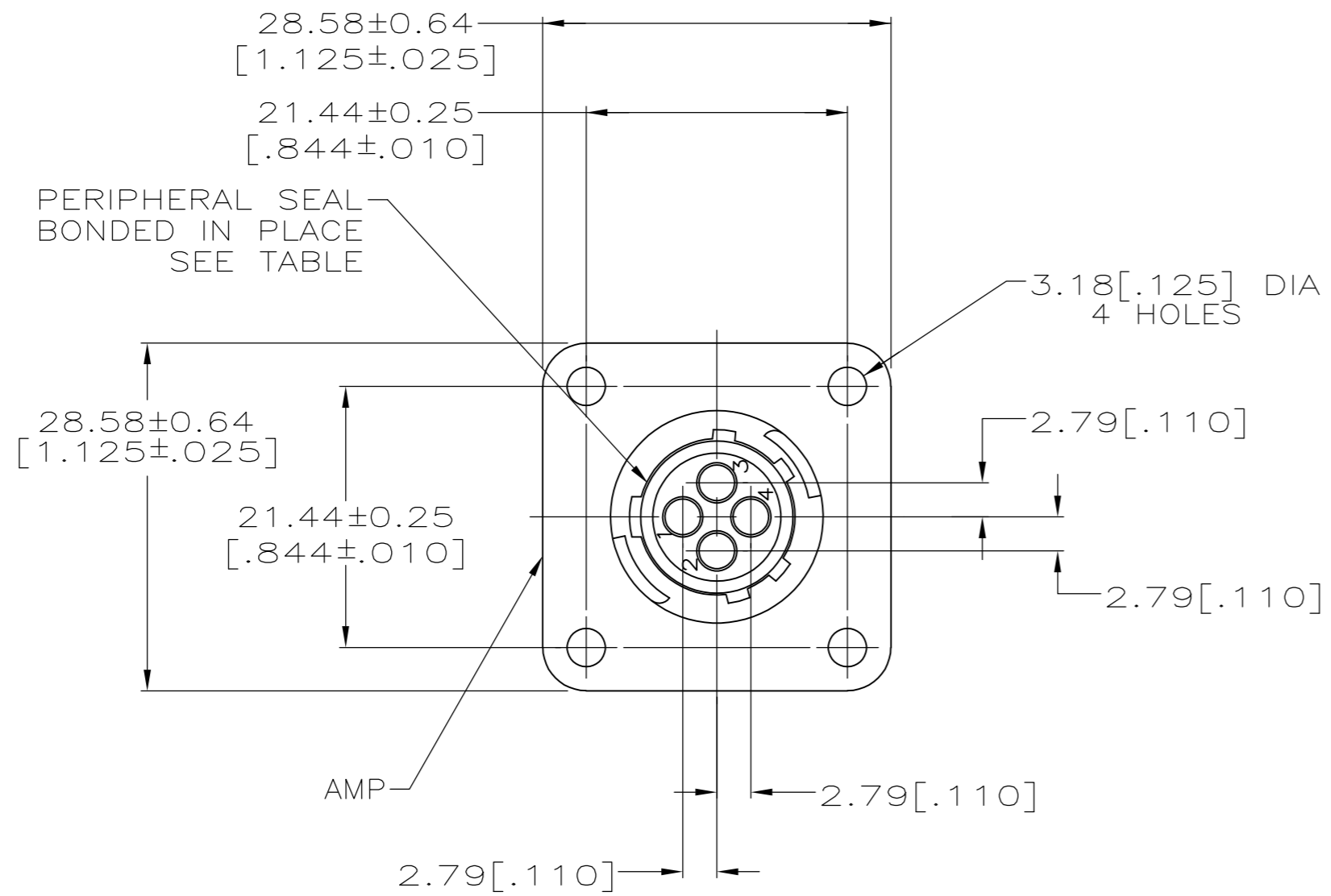
Documentation & Additional Information	
<p>Product Drawings:</p> <ul style="list-style-type: none"> • RECEPTACLE HOUSING, STANDARD SEX, SHELL SIZE 11, CPC (PDF, English) <p>Catalog Pages/Data Sheets:</p> <ul style="list-style-type: none"> • AMP Circular Connectors for Commercial Signal & Powe... (PDF, English) <p>Product Specifications:</p> <ul style="list-style-type: none"> • None Available <p>Application Specifications:</p> <ul style="list-style-type: none"> • Circular Plastic Connectors (CPC) (PDF, English) <p>Instruction Sheets:</p> <ul style="list-style-type: none"> • Circular Plastic Connectors (CPC) (PDF, English) <p>CAD Files: (CAD Format & Compression Information)</p> <ul style="list-style-type: none"> • 2D Drawing (DXF, Version F) • 3D Model (IGES, Version F) • 3D Model (STEP, Version F) 	<p>Additional Product Images:</p> <ul style="list-style-type: none"> • Contact Arrangement • Keying Options <p>Related Products:</p> <ul style="list-style-type: none"> • Tooling • Mating Products (1)

[List all Documents](#)

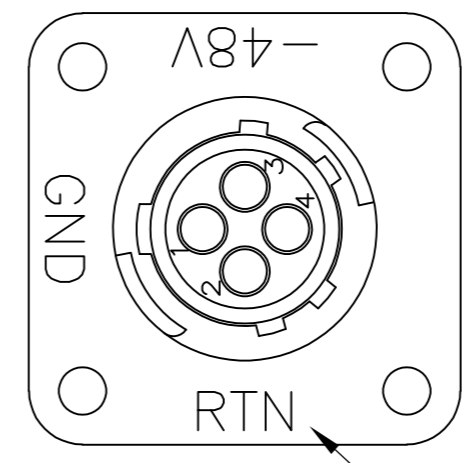
Product Features (Please use the Product Drawing for all design activity)	
<p>Product Type Features:</p> <ul style="list-style-type: none"> • Connector Type = Housing • Mount Angle = Straight • Shell Size = 11 • PCB Mount Retention = Without • Shell Type = All Plastic • Product Series = Series 1 • Thread Size = 5/8 - 24 UNEF-2A • Sealed = No <p>Mechanical Attachment:</p> <ul style="list-style-type: none"> • Mount = Panel • Mating Retention Type = Threaded Coupling <p>Body Features:</p> <ul style="list-style-type: none"> • Mount Style = Flange with Mounting Holes <p>Contact Features:</p> <ul style="list-style-type: none"> • Contact Type = Pin • Reverse Gender = Standard <p>Housing Features:</p> <ul style="list-style-type: none"> • Connector Style = Receptacle • Mating Alignment Type = Keyed • Housing Material = Thermoplastic - GF • Housing Color = Black • III Flammability Rating = III 94V-0 	<p>Configuration Features:</p> <ul style="list-style-type: none"> • Number of Positions = 4 • Number of Signal Positions = 4 • Number of Power Positions = 0 • Environmental Protection = Without • Reverse Numbering = Without <p>Industry Standards:</p> <ul style="list-style-type: none"> • VDE Tested = No • RoHS/ELV Compliance = RoHS compliant, ELV compliant • Lead Free Solder Processes = Not relevant for lead free process • RoHS/ELV Compliance History = Always was RoHS compliant <p>Identification Marking:</p> <ul style="list-style-type: none"> • Keying = A <p>Environmental:</p> <ul style="list-style-type: none"> • Fluid Resistance = None <p>Conditions for Usage:</p> <ul style="list-style-type: none"> • Accepts Wire Insulation Diameter, Range (mm [in]) = 2.54 [0.100] <p>Other:</p> <ul style="list-style-type: none"> • Brand = AMP

THIS DRAWING IS UNPUBLISHED. RELEASED FOR PUBLICATION
 © COPYRIGHT - By - ALL RIGHTS RESERVED.

LOC		DIST		REVISIONS			
P	LTR	DESCRIPTION		DATE	DWN	APVD	
FT	0	F1	REVISED PER ECO-11-004587		11MAR11	RK	HMR



RECOMMENDED PANEL CUTOUT



DETAIL A -5 ONLY
 RTN, GND AND -48V MARKED WITH WHITE INK, .118 MAX.

DETAIL A	STANDARD	NO	206061-5
-	SMALL PACK	NO	206061-3
-	STANDARD	YES	206061-2
-	STANDARD	NO	206061-1
MARKING	PACKAGING	PERIPHERAL SEAL	PART NO.

- NOTES:
1. CAVITY IDENTIFICATION ON FRONT AND REAR FACE.
 2. WILL ACCEPT FOUR (4) MULTIMATE PIN CONTACTS.

THIS DRAWING IS A CONTROLLED DOCUMENT.		DWN	07/26/93		TE Connectivity
		CHK	08/11/93		
DIMENSIONS: INCHES		TOLERANCES UNLESS OTHERWISE SPECIFIED:		NAME	
 0 PLC ± - 1 PLC ± - 2 PLC ± 0.13 [.005] 3 PLC ± - 4 PLC ± - ANGLES ± -		PRODUCT SPEC 108-10024 APPLICATION SPEC		RECEPTACLE HOUSING, STANDARD SEX, SHELL SIZE 11, CPC	
MATERIAL: NYLON, BLACK		FINISH: -		SIZE: A2	CAGE CODE: 00779
		WEIGHT: -		DRAWING NO: C-206061	RESTRICTED TO: -
		CUSTOMER DRAWING		SCALE: 2:1	SHEET: 1 OF 1
				REV: F1	