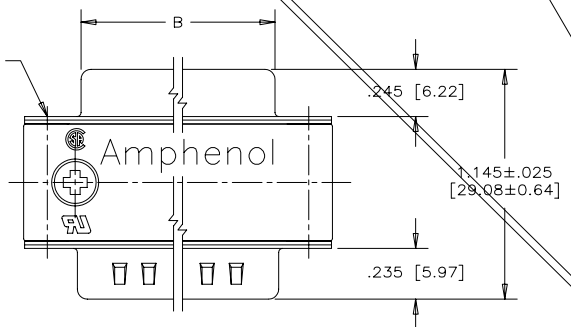


REVISIONS			
REV	ECN, ERN NO.	DATE	APPRD.
B	PRODUCT DRAWING (EAR 12900)	JAN23/06	K.L.

MOUNTING CODE 4
4-40 UNC THREAD
OR
MOUNTING CODE 6
M3 x 0.5 THREAD
X .240 [6.10] MIN.
DEEP (4 PLACES)

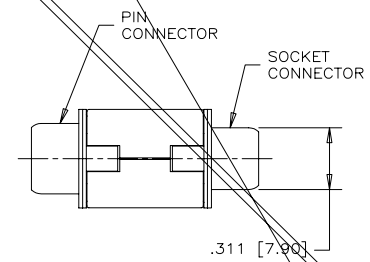
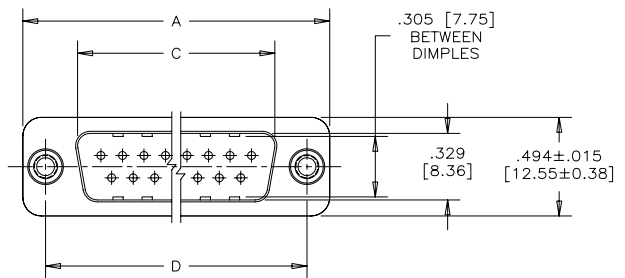


FCE17=FILTERED D-SUB, RoHS

WITH #4-40 MOUNTING POST
4=#4-40 UNC THREAD
6=M3 x 0.5 THREAD

CONTACT FINISH/GOLD THICKNESS
NO DIGIT=STANDARD 15 MICRONS
[0.38 MICRONS] GOLD ON
MATING AREA
G=50 MICRONS [1.27 MICRONS]
GOLD ON MATING AREA

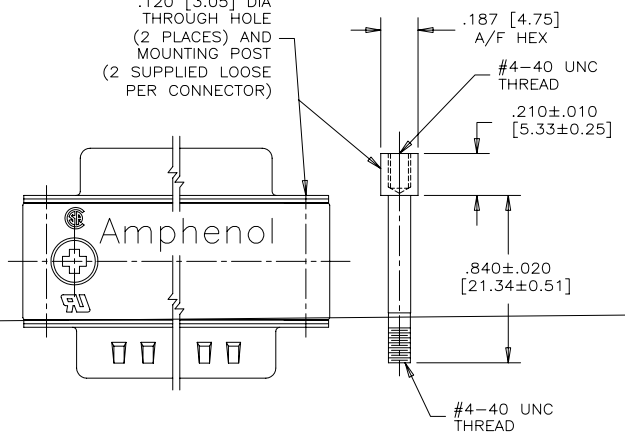
Q=50 pF
B=100 pF
L=380 pF
1=470 pF
4=820 pF
5=1000 pF
7=1200 pF
J=1500 pF
E=2200 pF
9=5600 pF
8=47000 pF
N=NO FILTERS
REFER TO AMPHENOL CATALOGUE
FOR FILTER PERFORMANCE
CHARACTERISTICS



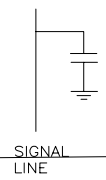
NOTES:

- MATERIALS: ALL MATERIALS ARE RoHS COMPLIANT
SHELLS: TIN PLATED STEEL
CONTACTS: PHOSPHOR BRONZE PLATED WITH GOLD OVER 50μ" [1.27 MICRONS] NICKEL ON MATING AREA.
INSULATOR: ENGINEERING THERMOPLASTIC, GLASS REINFORCED, FLAMMABILITY RATING UL94V-0, BLACK.
OUTSIDE SHELLS: ZINC DIECAST, NICKEL PLATED
MOUNTING HARDWARE: STEEL OR COPPER ALLOY, TIN OR NICKEL PLATED
- CONTACT RESISTANCE: 30 MILLIOHMS MAXIMUM
- INSULATION RESISTANCE: 3000 MEGOHMS MINIMUM
- CURRENT RATING: 5 AMPS MAXIMUM
- OPERATING TEMPERATURE: -40°C TO 85°C.
- TOLERANCE, UNLESS INDICATED OTHERWISE, ±.005 [0.13].

MOUNTING CODE 2
.120 [3.05] DIA
THROUGH HOLE
(2 PLACES) AND
MOUNTING POST
(2 SUPPLIED LOOSE
PER CONNECTOR)



CAPACITANCE SCHEMATIC FOR EACH POSITION



A±.015	B±.005	D±.005	
1.213 [30.81]	.643 [16.33]	.666 [16.92]	.984 [24.99]
1.54 [39.14]	.971 [24.66]	.994 [25.25]	1.312 [33.32]
	1.511 [38.38]	1.534 [38.96]	
2.728 [69.15]	2.159 [54.84]	2.182 [55.42]	

DRAWN S.BUENAVIDES	DATE DEC08/05
DESIGNED	
CHECKED K.LAMBIE	DATE DEC08/05
I. E. APPRD.	
Q. A. APPRD.	
DWG. APPRD.	
ENG. REL. NO.	
REF. EAR 12888	
DIMENSIONS ARE IN INCHES [mm]	CODE D. NO. 03554

Amphenol Canada Corp.

FCE17 SERIES FILTERED D-SUB CONNECTOR, MALE/FEMALE ADAPTER, RoHS COMPLIANT

DWG	DRAWING NO.	REV.
C	P-FCE17-XXXAD-XX0X	B

SCALE 2/1 WT. --- SURF. --- SHEET 1 of 1

THIS DOCUMENT CONTAINS PROPRIETARY INFORMATION AND SUCH INFORMATION MAY NOT BE DISCLOSED TO OTHERS FOR ANY PURPOSE OR USED FOR MANUFACTURING PURPOSES WITHOUT WRITTEN PERMISSION FROM AMPHENOL CANADA CORP.