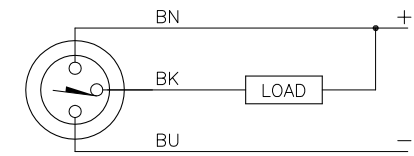


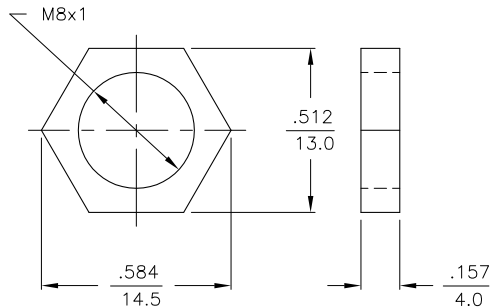
WIRING DIAGRAM



OUTPUT: AN6X

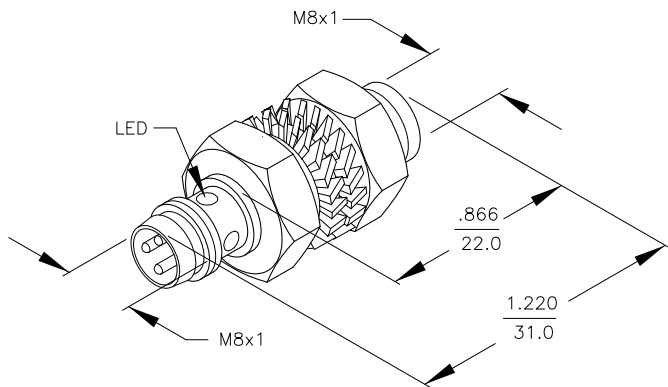
SHORT-CIRCUIT AND OVERLOAD PROTECTED

LOCKNUT LN-SS08



SPECIFICATIONS

OPERATING VOLTAGE	10-30 VDC
RIPPLE	≤10%
DIFFERENTIAL TRAVEL (HYSTERESIS)	1-15% (5% TYPICAL)
VOLTAGE DROP ACROSS CONDUCTING SENSOR	≤1.8 V at 150 mA
OUTPUT FUNCTION	NORMALLY OPEN 3-WIRE DC SELF-CONTAINED
TTL COMPATIBLE	NO
SHORT-CIRCUIT PROTECTED	YES
TRIGGER CURRENT FOR OVERLOAD PROTECTION	≥170 mA
CONTINUOUS LOAD CURRENT	≤150 mA
OFF-STATE (LEAKAGE) CURRENT	<100µ A
NO-LOAD CURRENT	1.0-9.5 mA
TIME DELAY BEFORE AVAILABILITY	≤8 ms
POWER-ON EFFECT	Per IEC 947-5-2
REVERSE POLARITY PROTECTION	INCORPORATED
WIRE-BREAK PROTECTION	INCORPORATED
PROTECTION AGAINST TRANSIENTS	EN 60947-5-2
OPERATING TEMPERATURE	-25°C to +70°C (-13°F to +158°F)
ENCLOSURE	MEETS NEMA 1, 3, 4, 13 AND IEC IP67
SHOCK	30 g, 11 ms
VIBRATION	55 Hz, 1 mm AMPLITUDE (IN ALL 3 PLANES)
LED FUNCTION	YELLOW: OUTPUT ENERGIZED
RATED OPERATING DISTANCE(Sn)	1.5 mm = .059" (NOMINAL)
SWITCHING FREQUENCY	3000 Hz
REPEATABILITY	≤2% of RATED OPERATING DISTANCE
EMBEDDABLE (SHIELDED)	YES
MATING PLUGS/CABLES	3-PIN "PICOFAST" CONSTRUCTION



NOTES:

- ONE LED VISIBLE THROUGH FOUR WINDOWS.
- BARREL IS STAINLESS STEEL; CONNECTOR IS CHROME PLATED BRASS.

RELATED DOCUMENTS 1. 2. 3. 4.	3RD ANGLE PROJECTION 	THIS DRAWING IS PROPERTY OF TURCK INC. USE OF THIS DOCUMENT WITHOUT WRITTEN PERMISSION IS PROHIBITED.		<b>TURCK INC</b> High Technology Sensors and Automation Controls 3000 CAMPUS DRIVE MINNEAPOLIS, MN 55441 1-800-544-7769 (763) 553-7300 (763) 553-0708 fax turck.com	
	MATERIAL SEE NOTE 2	DRFT IK	DATE 9/22/97	DESCRIPTION Bi1.5-EG08K-AN6X-V1131	
FINISH	ALL DIMENSIONS DISPLAYED ON THIS DRAWING ARE FOR REFERENCE ONLY	DSGN	SCALE NONE	IDENTIFICATION NO. S4672540	REV A
CONTACT TURCK FOR MORE INFORMATION		UNIT OF MEASUREMENT <b>INCH [ MILLIMETER ]</b>		FILE: S4672540	SHEET 1 OF 1
DO NOT SCALE THIS DRAWING					

A	DRAWING RELEASE	RDS	11/05/02	5504
REV	DESCRIPTION	BY	DATE	ECO NO.