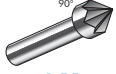
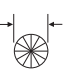
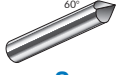
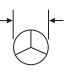
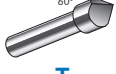
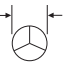
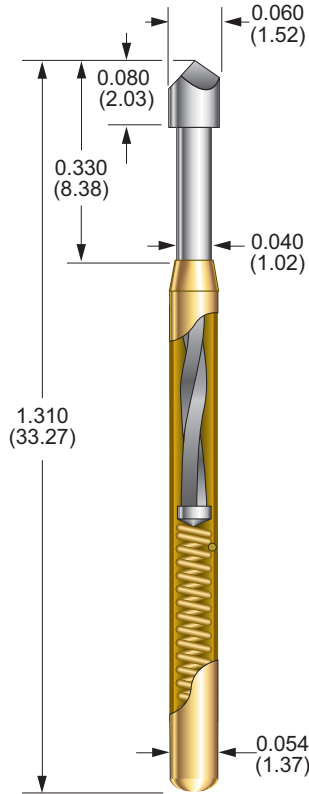


► **S-100 ROTATOR SERIES**

0.100 (2.54) Centers

For R-100 Series Receptacles see pg. 64

BECU TIPS	DIAMETER
 LM	 0.060 (1.52)
 S	 0.040 (1.02)
 T	 0.060 (1.52)



PROBE SPECIFICATIONS

Minimum Centers	0.100 (2.54)
Current Rating	3 A continuous
Spring Force	4.00 oz (113 g), 5.50 oz (156 g), 6.70 oz (190 g), 8.00 oz (227 g), or 10.00 oz (283 g) @ 0.170 (4.32) travel
Preload Force	1.50 oz (43 g) (4.00 oz spring/stainless steel) 2.00 oz (57 g) (5.50 oz spring/stainless steel) 1.50 oz (43 g) (6.70 oz spring/stainless steel) 2.80 oz (80 g) (8.00 oz spring/music wire) 1.80 oz (51 g) (10.00 oz spring/music wire)
Typical Resistance	< 50 mΩ
Maximum Travel	0.220 (5.59)
Working Travel	0.170 (4.32)
Rotation	90° @ 0.170 (4.32) travel

MATERIALS

Barrel	G2
Spring	Music wire, or stainless steel, gold plated
Plunger	Beryllium copper, Duralloy™ plated

HOW TO ORDER

S - 100 - T - 4 - RT
 1 2 3 4 5

1 ► SERIES	S
2 ► SIZE	100
3 ► TIP STYLE	LM, S, T
4 ► SPRING FORCE	4 oz. 5.5 oz. 6.7 oz. 8 oz. 10 oz.
5 ► ROTATOR	RT