

UG1410A



- Illuminated or non-illuminated
- Tactile feedback
- Wide variety of configurations
- Flat round actuator for optional marking
- Sealed to IP67

ENVIRONMENTAL SPECIFICATIONS

- Front panel sealing : IP67 according to IEC 60529
IP69K according to DIN 40050-9 (non-illuminated) with cap U5125
- Shock resistance : 100 g according to IEC 512-4, test 6c
- Vibration resistance : 10-500Hz - 10 g according to IEC 512-4, test 6d
- Salt spray : IEC 512-6, test 11f
- Robustness (non-illuminated) : IK06 according to EN 50102 (1 joule)
- Operating temperature : -40°C to +85°C

ELECTRICAL SPECIFICATIONS

- Max. current/voltage rating with resistive load (gold plated silver contacts):
5A 28VDC, 70.000 cycles
0,2A 48VDC, 500.000 cycles
0,5A 48VAC, 500.000 cycles
- Initial contact resistance : 100 mΩ max.
- Insulation resistance : 1 GΩ min. at 500VDC
- Dielectric strength : 1.500 Vrms
- Contact bounce : 10 ms

For W terminals, current has to be limited to 400mA.

LED COMPONENT SPECIFICATIONS

LED colour	Forward current	Typ. forward voltage	Max. forward voltage
Super red (LOS)	20mA	2,1V	2,3V
Yellow (LOY)	20mA	2,1V	2,3V
Green (LOG)	20mA	2,1V	2,3V
Blue (LOB)	20mA	3,2V	3,8V
White (LOW)	20mA	3,35V	4,25V

A resistor must be series-connected by the user.
Resistor value = $\frac{\text{supply voltage} - \text{LED forward voltage}}{\text{LED forward current}}$

GENERAL SPECIFICATIONS

- Panel thickness : 1,5 mm (.059) min.
4 mm (.157 max.)
- Total travel :
Funct. 3 : 1,7 mm (.067) +/- 0,3 mm
Funct. 5 : 1,3 mm (.051) +/- 0,3 mm
- Typical operating force : 6N +/- 2N
- Low level/mech. life : 1.000.000 cycles
- Torque : 1,5 Nm max. applied to nut
- Soldering : 320°C max. for 3 sec.

MATERIALS

- Case : thermoplastic UL94-V0
- Actuator : polyamide 6/6
- Bushing/bezel : zinc die-cast (zamac), black painted
- Contacts : silver, gold plated (std)
brass, gold plated (for option 104)
- Output wires (flying lead terminals) :
F version : AWG20, section 0,6 mm²
W version : AWG24, section 0,23 mm²
- LED wires :
F version : AWG26, section 0,12 mm²
W version : AWG24, section 0,23 mm²
- Lens : polycarbonate
- Terminal seal : epoxy

AGENCY APPROVAL

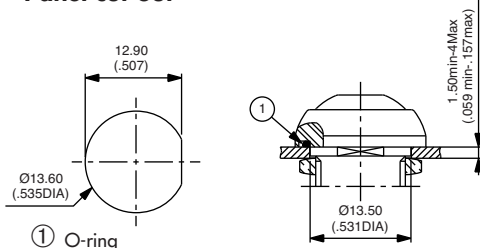


2A 125VAC/250VAC
File E83438

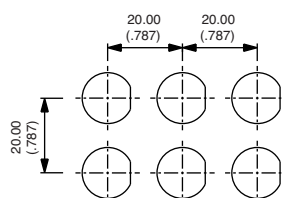
See following pages.

MOUNTING

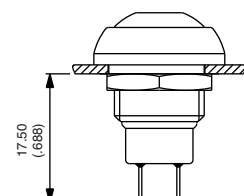
Panel cut-out



Matrix mounting



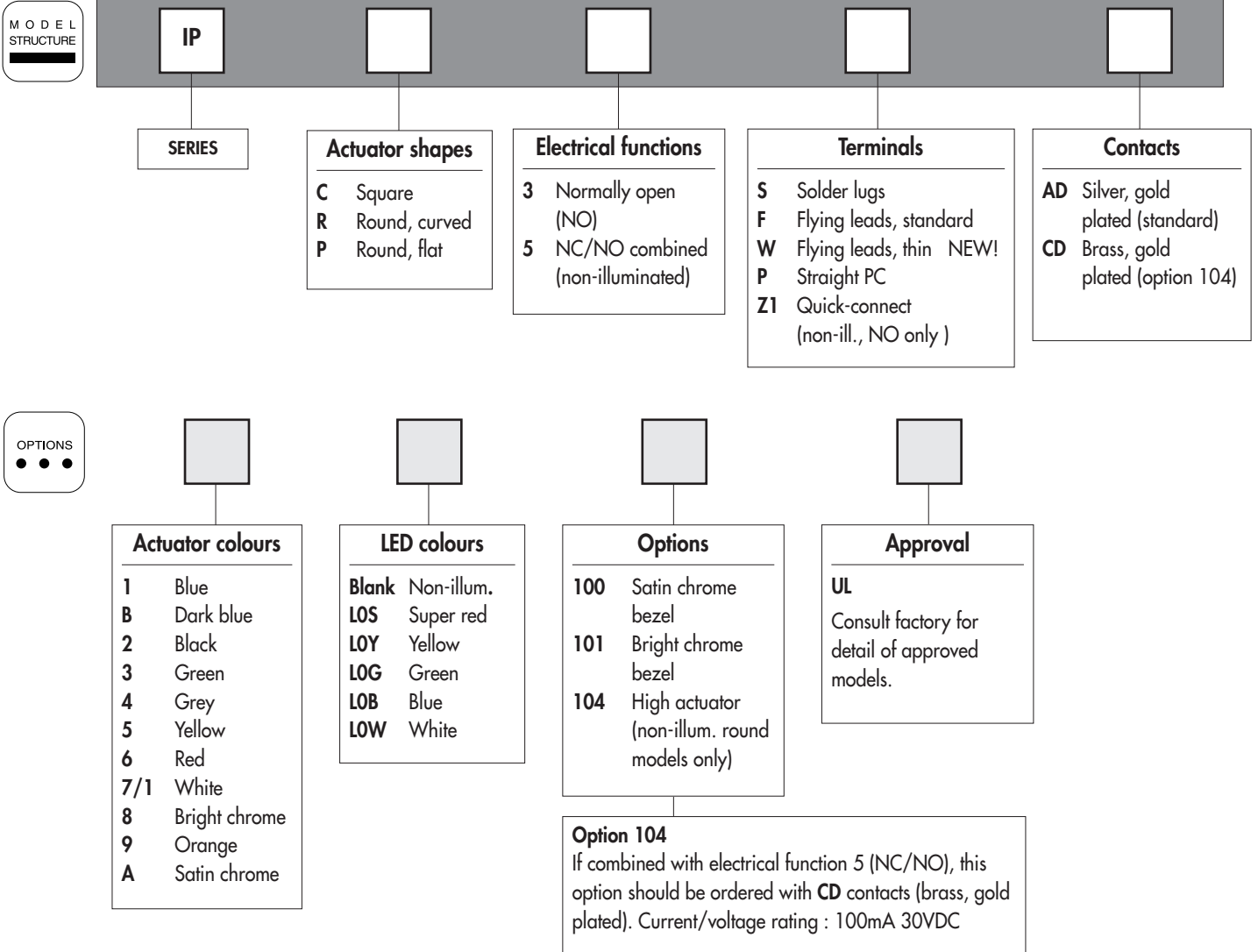
Back of panel space requirement



IP series

Pushbutton switches for harsh environments - bushing Ø 12 mm - momentary

Overview



ABOUT THIS SERIES

On the following pages, you will find successively :
 model structure of switches and options in the same order as in above chart

Dimensions : first dimensions are in mm while inches are shown as bracketed numbers.



NOTICE : please note that not all combinations of above numbers are available. Refer to the following pages for further information.



A sealing boot is available to protect the switches against frost and sand. It is presented after the IA series and in section H.

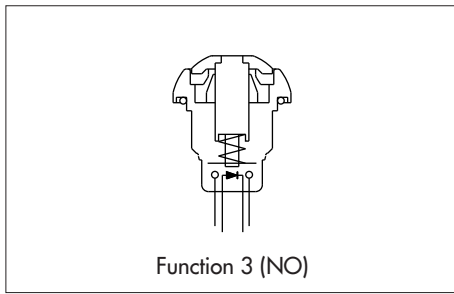


Mounting accessories : Standard hardware supplied : 1 hex nut 14 mm (.551) across flats and 1 O-ring. Hex nut part number U166.

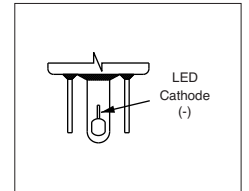


Packaging unit : 25 pieces

The company reserves the right to change specifications without notice.



- High brightness illumination
- Five LED colours
- Tin plated LED terminals



MODEL STRUCTURE



Shown with standard flying lead terminals.

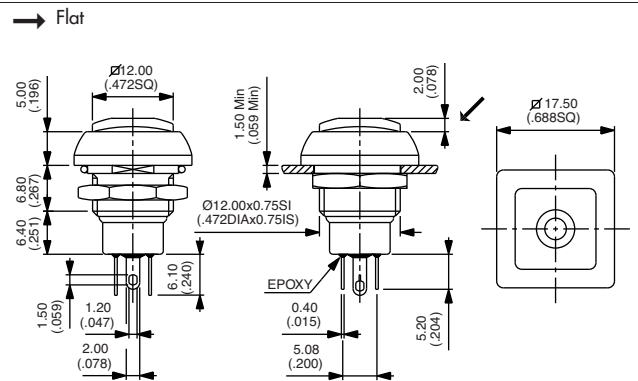
Solder lug terminals



IPC3SAD



Normally Open



Also available with straight PC terminals : **IPC3PAD**
LED colour is indicated by the bottom of the switch.

Sealed flying lead terminals

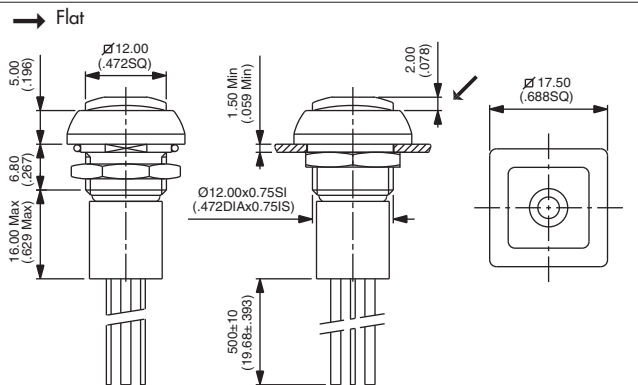


IPC3FAD



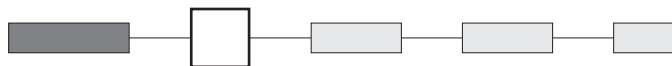
Normally Open

For THIN flying leads, replace F with W.



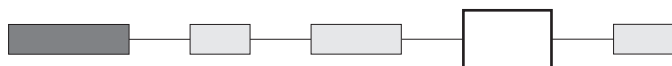
Wire colours : black : NO contact, red : LED anode(+), blue : LED cathode(-)

ACTUATOR COLOURS



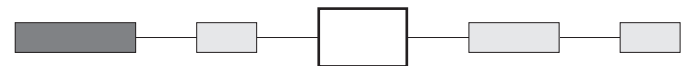
1 : blue - B : dark blue - 2 : black - 3 : green - 4 : grey
5 : yellow - 6 : red - 7/1 : white - 8 : bright chrome
9 : orange - A : satin chrome

OPTIONS



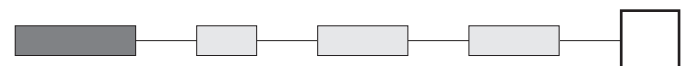
100 : Satin chrome bezel
101 : Bright chrome bezel

LED COLOURS



LOS : super red - LOY : yellow - LOG : green - LOB : blue
LOW : white

APPROVAL

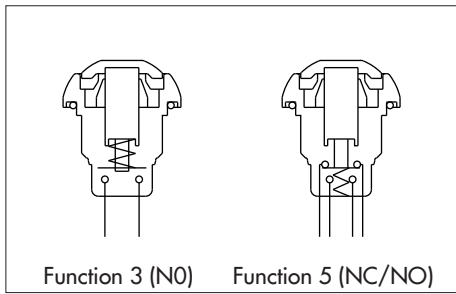


UL
Consult factory for details of approved models. To order switches marked UL, complete above box with "UL".

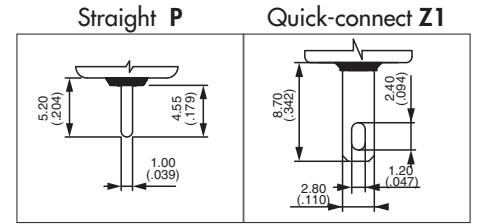
IP series

Pushbutton switches for harsh environments - bushing \varnothing 12 mm - momentary

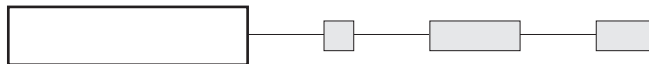
Square - non-illuminated



- Double function (NC/NO combined) with a short behind-panel depth



MODEL STRUCTURE



Shown with standard flying lead terminals.

Solder lug terminals



IPC3SAD



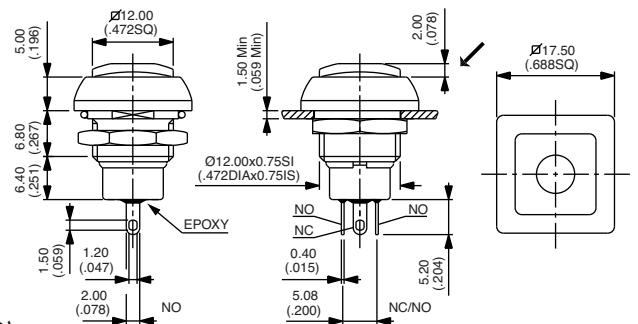
Normally Open

IPC5SAD



NC/NO combined

→ Flat



Also available with straight PC terminals : **IPC3PAD** (NO) or **IPC5PAD** (NC/NO) and quick-connect terminals : **IPC3Z1AD** (NO only)

Sealed flying lead terminals



IPC3FAD



Normally Open

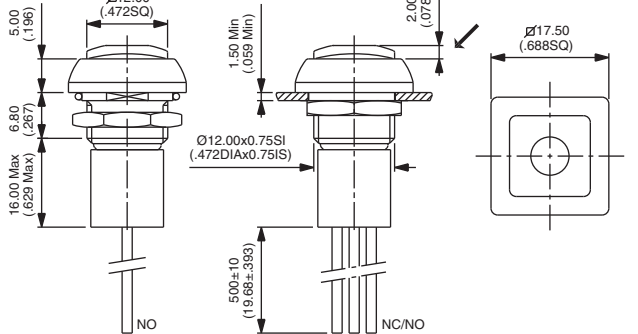
IPC5FAD



NC/NO combined

For THIN flying leads, replace F with W.

→ Flat



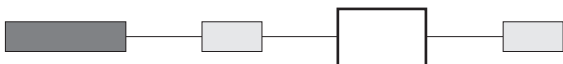
Wire colours (NC/NO) : black : NO, blue : NC

ACTUATOR COLOURS



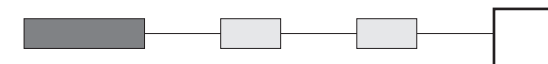
1 : blue - B : dark blue - 2 : black - 3 : green - 4 : grey - 5 : yellow - 6 : red - 7/1 : white - 8 : bright chrome
9 : orange - A : satin chrome

OPTIONS

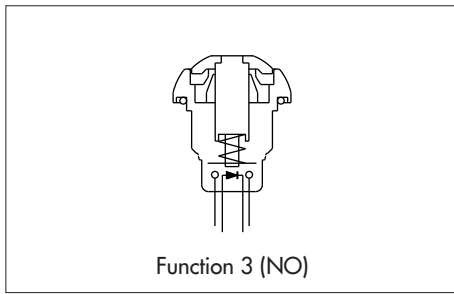


100 : Satin chrome bezel
101 : Bright chrome bezel

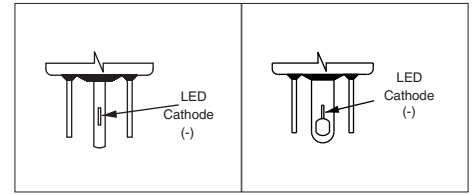
APPROVAL



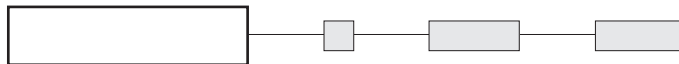
UL
Consult factory for details of approved models. To order switches marked UL, complete above box with "UL".



- High brightness illumination
- Five LED colours
- Tin plated LED terminals



MODEL STRUCTURE



Shown with standard flying lead terminals.

Solder lug terminals

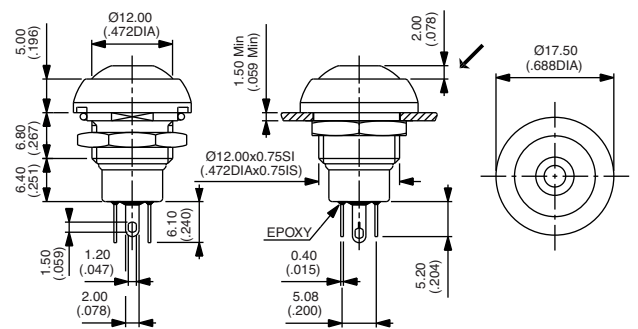


IPR3SAD



Normally Open

→ Flat



Also available with straight PC terminals : IPR3PAD
LED colour is indicated by the bottom of the switch.

Sealed flying lead terminals



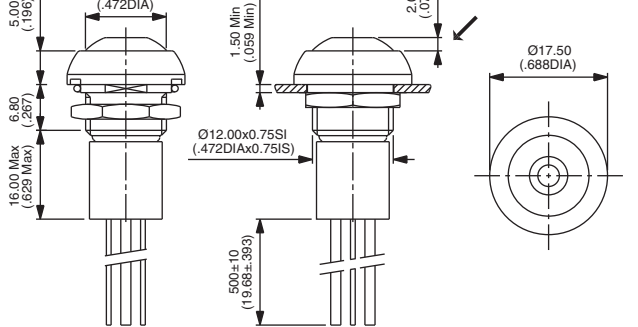
IPR3FAD



Normally Open

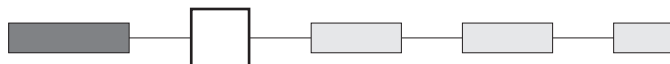
For THIN flying leads, replace F with W.

→ Flat



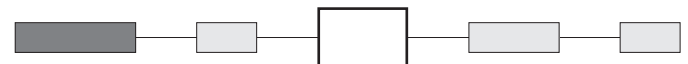
Wire colours : black : NO contact, red : LED anode(+), blue : LED cathode(-)

ACTUATOR COLOURS



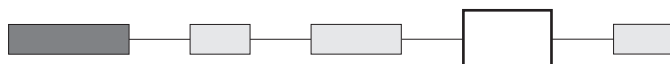
1 : blue - B : dark blue - 2 : black - 3 : green - 4 : grey
5 : yellow - 6 : red - 7/1 : white - 8 : bright chrome
9 : orange - A : satin chrome

LED COLOURS



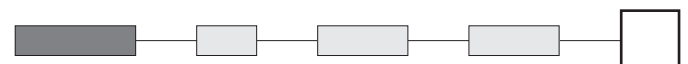
LOS : super red - LOY : yellow - LOG : green - LOB : blue
LOW : white

OPTIONS



100 : Satin chrome bezel
101 : Bright chrome bezel

APPROVAL

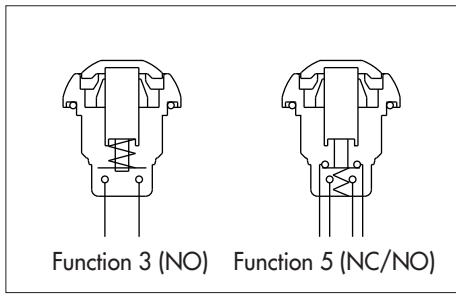


UL
Consult factory for details of approved models. To order switches marked UL, complete above box with "UL".

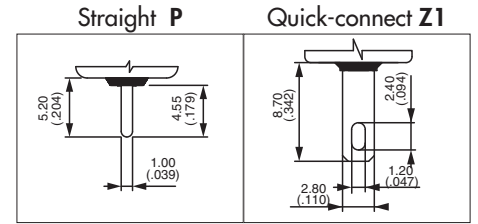
IP series

Pushbutton switches for harsh environments - bushing \varnothing 12 mm - momentary

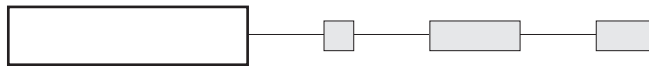
Round - non-illuminated



- Double function (NC/NO combined) with a short behind-panel depth



MODEL STRUCTURE



Shown with standard flying lead terminals.

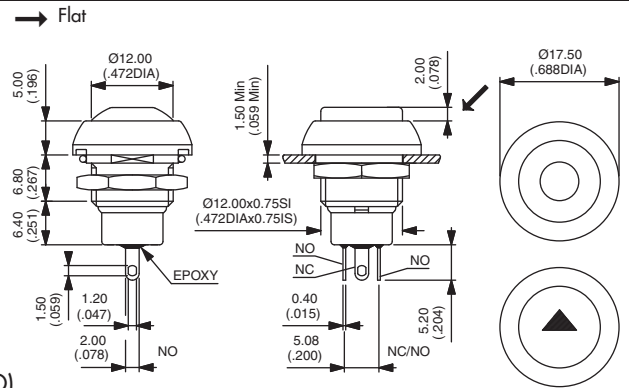
Actuator marking available on IPP models (symbol 10 mm max.). On request.

B1

Solder lug terminals



- Curved actuator, NO
IPR3SAD
- Curved actuator, NC/NO
IPR5SAD
- Flat actuator, NO
IPP3SAD
- Flat actuator, NC/NO
IPP5SAD

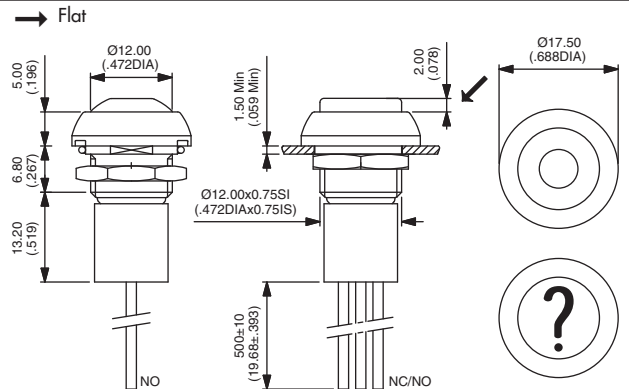


Also available with straight PC terminals : **IP•3PAD** (NO) or **IP•5PAD** (NC/NO) and quick-connect terminals : **IP•3Z1AD** (NO only)

Sealed flying lead terminals



- Curved actuator, NO
IPR3FAD
 - Curved actuator, NC/NO
IPR5FAD
 - Flat actuator, NO
IPP3FAD
 - Flat actuator, NC/NO
IPP5FAD
- For THIN flying leads, replace F with W.



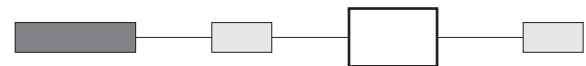
Wire colours (NC/NO) : black : NO, blue : NC

ACTUATOR COLOURS



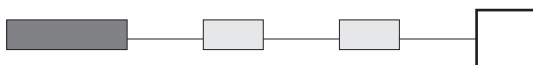
- 1 : blue - B : dark blue - 2 : black - 3 : green - 4 : grey
- 5 : yellow - 6 : red - 7/1 : white - 8 : bright chrome
- 9 : orange - A : satin chrome

OPTIONS



- 100 : Satin chrome bezel
- 101 : Bright chrome bezel
- 104 : High actuator - If combined with function 5 (NC/NO), order with CD contacts (instead of AD contacts).

APPROVAL



UL
Consult factory for details of approved models. To order switches marked UL, complete above box with "UL".

