



ENGLISH

Datasheet

Stock No: 466-148

RS Pro 3 Pole Front Panel Mount Non- Fused Switch Disconnecter, 25 A, 11 kW, IP65



Product Details

Panel Mount (Padlockable)

RS Pro high quality range of panel mount switch disconnectors for use with low voltage switchgear such as power distribution, load isolation and motor start/stop.

All switch ratings at AC22

RoHS compliant

Maximum panel thickness 3mm

Depth behind panel 102min/117max mm

Dimensions 72(H)x50(W) mm

Actuator dimensions 64x64x32mm

Approvals

UL, CSA

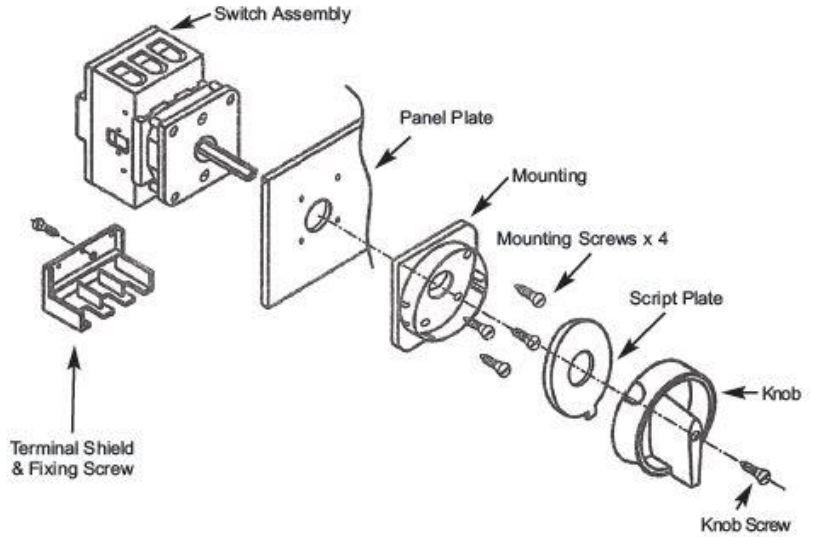
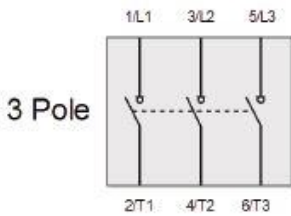


Specifications:

Number of Poles	3
Maximum Current	25 A
Mounting Type	Front Panel
Power Rating	11 kW
IP Rating	IP65
Accepts Padlocks	Yes
Voltage Rating	750 V
Electrical Phase	3
Switch Rating	6 kV
Length	125mm
Width	100mm
Depth	70mm
Minimum Operating Temperature	-25°C
Maximum Operating Temperature	+40°C
Handle Colour	Red
Terminal Type	Screw



Terminal Configuration



3 Pole Panel Mount Loadbreak Switch Dimensions (mm)

25 to 63A

