



22MM METAL ROUND ACTUATOR: SELECTOR SWITCH HEAVY DUTY RIGHT LATCH.,LE.MOMEN.CONT.TYPE 3 SWITCH POSITIONS I-O-II ILLUMINABLE WITH HOLDER CLEAR

| Actuator: | | |
|---|----|--|
| Design of the product | | Single device round |
| Design of the operating mechanism | | selector switch heavy-duty version |
| External diameter / of the activation element | mm | 28.5 |
| Functionality / of the actuator | | Momentary contact (left), latching (right) |
| Type of unlocking device | | rotate-to-unlatch mechanism |
| Color / of the activation element | | Clear |
| Material / of the activation element | | plastic |
| Number of switching positions | | 3 |
| Actuating angle | | |
| • clockwise | ° | 50 |
| • anticlockwise | ° | 50 |
| Product component / front ring | | Yes |
| Material / of the front ring | | metal |
| Color / of the front ring | | silver |
| Design of the front ring | | Standard |
| Product function / EMERGENCY STOP function | | No |
| Holder: | | |
| Material / of the holder | | Metal |

General technical data:

| | | |
|---|---------------------|---------------------------------------|
| Resistance against shock | | |
| <ul style="list-style-type: none"> • for devices with incandescent lamp / according to IEC 60068-2-27 • for devices without incandescent lamp / according to IEC 60068-2-27 | | <p><= 30g</p> <p><= 50g</p> |
| Resistance against vibration / according to IEC 60068-2-6 | | 20 ... 200 Hz: 5g |
| Operating cycles / maximum | 1/h | 1,000 |
| Mechanical operating cycles as operating time / typical | | 300,000 |
| Product extension / optional / fluorescent materials | | Yes |
| Reference code | | |
| <ul style="list-style-type: none"> • according to DIN EN 61346-2 • according to DIN 40719 extended according to IEC 204-2 / according to IEC 750 | | <p>S</p> <p>S</p> |
| Tightening torque / of the screws in the bracket / maximum | N·m | 1 |
| Ambient temperature | | |
| <ul style="list-style-type: none"> • during operating • during storage | <p>°C</p> <p>°C</p> | <p>-25 ... +70</p> <p>-40 ... +80</p> |
| Protection class IP | | IP67 |
| climatic class / during the operating phase / according to EN 60721 | | 3K6 |
| Mounting type | | front mounting |
| Shape / of the installation hole | | round |
| Installation width | mm | 28.5 |
| Mounting diameter | mm | 22 |
| Mounting height | mm | 28 |
| Mounting depth | mm | 29 |

Certificates/ approvals:

General Product Approval



Test Certificates

[Special Test Certificate](#)

Shipping Approval



other

[Confirmation](#)

[other](#)

[Environmental Confirmations](#)

Further information:

Information- and Downloadcenter (Catalogs, Brochures,...)

<http://www.siemens.com/industrial-controls/catalogs>

Industry Mall (Online ordering system)

<http://www.siemens.com/industrial-controls/mall>

Cax online generator

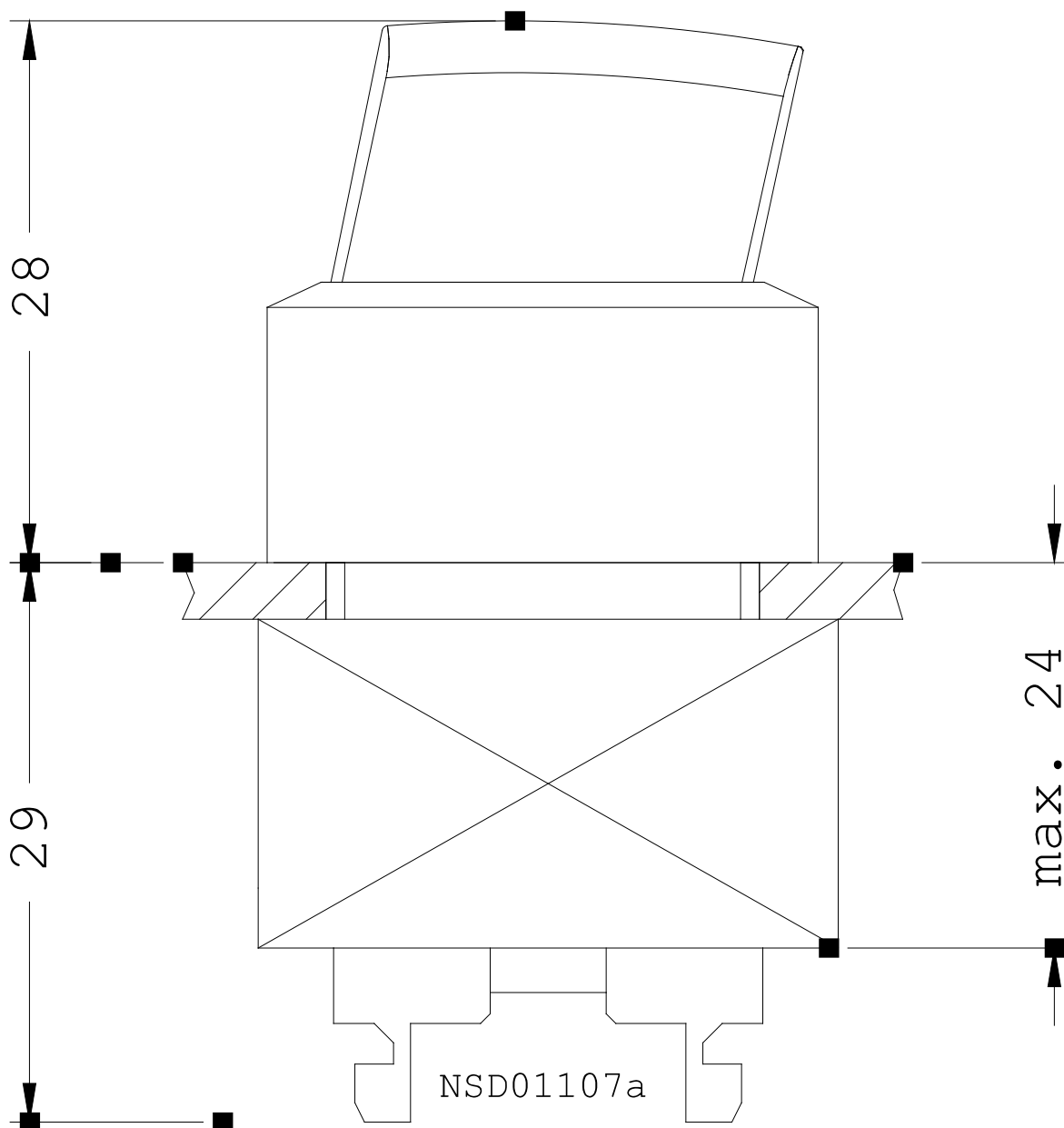
<http://www.siemens.com/cax>

Service&Support (Manuals, Certificates, Characteristics, FAQs,...)

<http://support.automation.siemens.com/WW/view/en/3SB3501-2VA71/all>

Image database (product images, 2D dimension drawings, 3D models, device circuit diagrams, ...)

http://www.automation.siemens.com/bilddb/cax_en.aspx?mlfb=3SB3501-2VA71



last change:

Jul 7, 2014