
[back](#)
[Print](#)

NJ3FP6P-BAG

Locking 1/4" phone jack, D-size shell, black plastic housing and silver contacts

The 3 pole phone jack panel mount version provides stable and secure connections where accidental disconnect or shock and vibration may occur. It latches with standard A-gauge mono or stereo plugs. Plug locks-in automatically when mating and unlocks only by pressing red release tab. Standard D size front panel appearance. Selectable grounding options.

Features & Benefits

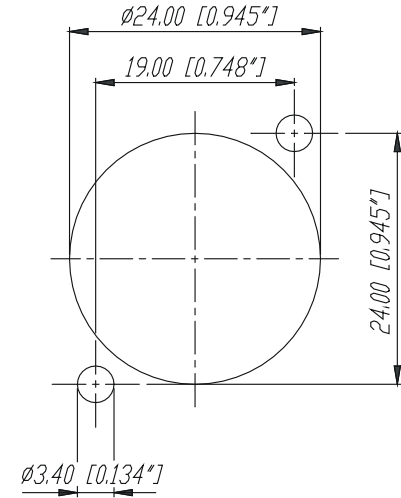
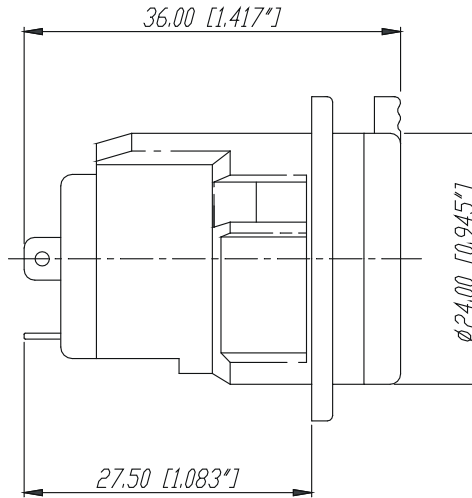
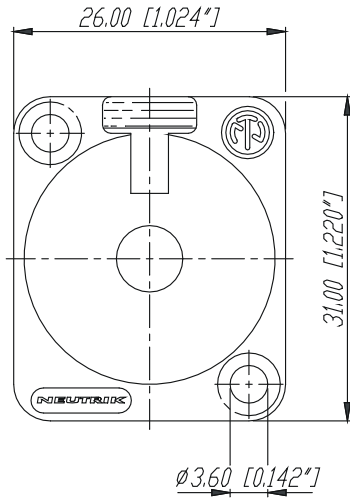
- Securely locking chassis jack
- Mates with all mono and stereo plugs specified acc. EIA RS-453 (A-gauge)
- Closable grounding options: standard isolated, to get a sleeve/panel connection red isolator on lateral screw must be removed
- Dimensionally compatible with D Series (31 x 26 mm)
- Solder terminals

ACCESSORIES



NJ3FP6C

Frontplattenausschnitt
(Panel cut-out)



							Werkstoff:	Massstab:		Datum	Name
							*)Lieferant darf ohne Ruecksprache nicht geaendert werden	2:1		26.04.90	Martinek
						Zeichnung urheberrechtlich geschuetzt (DIN 34) (C)				Geprueft	
						Benennung:	NJ3FP6C			Ersetzt durch:	Blatt
							NEUTRIK AG FL-9494 SCHAAN			Ersatz fuer:	von Blatt
Ind.	Aenderung	Datum	Name						Zeichn. Nr.	3102 St 07 03	



Audio

Locking 1/4" Phone Jacks

NJ3FP6P-BAG

There are no technical infos for this product.

Product

Connector Type	Jack
Gender	female

Electrical

Contact resistance	< 6 m Ω (initial)
Dielectric strength	1 kVdc
Insulation resistance	\geq 1 G Ω @ 500 V dc
Rated current per contact	10 A

Mechanical

Insertion force	< 20 N
Withdrawal force	< 20 N
Lifetime	> 10000 mating cycles
Locking force	> 80 N
Wire size	1 mm ²
Wire size	18 AWG
Wiring	Solder contacts
Locking device	retention spring
Mounting direction	front
Chassis shape	D

Material

Contact plating	2 μ m Ag
Contacts	Bronze (CuBe2)
Contacts	Brass (CuZn37) (Ground)
Insert	Polyamide (PA 6.6 30 % GR)
Shell	Polyamide (PA 6.6 30 % GR)
Shell plating	Black plastic
Strain relief	Polyacetal (POM)

Environmental

Standard compliance	EIA RS 453, IEC 60603-11
Solderability	Complies with IEC 68-2-20
Temperature range	-25 °C to +70 °C

Optical