

# INDUSTRIAL - ENVIRONMENTALLY SEALED SWITCHES

## Econoswitch Sealed Toggle Switches

Series - 8530, 8531, 8532

FEATURES		SPECIFICATIONS		CURRENT RATINGS																																																													
<ul style="list-style-type: none"> <li>Environmentally sealed</li> <li>1, 2 and 4 pole Circuitry</li> <li>One hole mounting for easy installation</li> <li>Multi-circuits</li> <li>2 &amp; 3 position with maintained and momentary action</li> <li>Three types of termination offered as standard</li> </ul>	<ul style="list-style-type: none"> <li>Watertight seal per MIL-STD-108E and designed to meet IP68</li> <li>UL recognized and CSA certified</li> <li>Three standard types of terminals: Screw 6-32 UNC-2A Solder lug .125 [3,17] dia. hole Spade .250 [6,35] x .032 [0,81] thick</li> <li>Life: 50,000 operations at rated load. 100,000 operations mechanical life.</li> <li>Temperature Range: -50°F to +150°F (-46°C to + 66°C)</li> </ul>	<table border="1" style="width: 100%; border-collapse: collapse;"> <thead> <tr> <th rowspan="2">No. of Poles</th> <th rowspan="2">Catalog Number</th> <th rowspan="2">Type of Operation</th> <th colspan="3">28VDC</th> <th colspan="3">115VAC 60 or 400Hz</th> </tr> <tr> <th>Lamp Load</th> <th>Resistive Load</th> <th>Inductive Load</th> <th>Lamp Load</th> <th>Resistive Load</th> <th>Inductive Load</th> </tr> </thead> <tbody> <tr> <td rowspan="2">1</td> <td rowspan="2">8530</td> <td>Maintained</td> <td>5</td> <td>20</td> <td>15</td> <td>3</td> <td>15</td> <td>10</td> </tr> <tr> <td>Momentary</td> <td>4</td> <td>15</td> <td>10</td> <td>2</td> <td>11</td> <td>7</td> </tr> <tr> <td rowspan="2">2</td> <td rowspan="2">8531</td> <td>Maintained</td> <td>7</td> <td>20</td> <td>15</td> <td>4</td> <td>15</td> <td>15</td> </tr> <tr> <td>Momentary</td> <td>5</td> <td>18</td> <td>10</td> <td>2</td> <td>11</td> <td>8</td> </tr> <tr> <td rowspan="2">4</td> <td rowspan="2">8532</td> <td>Maintained</td> <td>5</td> <td>20</td> <td>12</td> <td>4</td> <td>15</td> <td>15</td> </tr> <tr> <td>Momentary</td> <td>4</td> <td>18</td> <td>10</td> <td>2</td> <td>11</td> <td>8</td> </tr> </tbody> </table>	No. of Poles	Catalog Number	Type of Operation	28VDC			115VAC 60 or 400Hz			Lamp Load	Resistive Load	Inductive Load	Lamp Load	Resistive Load	Inductive Load	1	8530	Maintained	5	20	15	3	15	10	Momentary	4	15	10	2	11	7	2	8531	Maintained	7	20	15	4	15	15	Momentary	5	18	10	2	11	8	4	8532	Maintained	5	20	12	4	15	15	Momentary	4	18	10	2	11	8
No. of Poles	Catalog Number	Type of Operation				28VDC			115VAC 60 or 400Hz																																																								
			Lamp Load	Resistive Load	Inductive Load	Lamp Load	Resistive Load	Inductive Load																																																									
1	8530	Maintained	5	20	15	3	15	10																																																									
		Momentary	4	15	10	2	11	7																																																									
2	8531	Maintained	7	20	15	4	15	15																																																									
		Momentary	5	18	10	2	11	8																																																									
4	8532	Maintained	5	20	12	4	15	15																																																									
		Momentary	4	18	10	2	11	8																																																									

For the UL/CSA ratings, see page A70.

### STANDARD LEVER SELECTION TABLE

CIRCUIT WITH LEVER IN . . .				CATALOG NUMBER		
	Up Position 	Center Position 	Down Position (Keyway) 	Screw Terminals	Solder Lug Terminals	Spade Terminals
<b>ONE POLE</b>						
<b>8530</b> 	ON	OFF	ON	8530K1	8530K91	8530K31
	ON	NONE	OFF	K9	K99	K39
	ON	NONE	ON	K4	K94	K34
	ON	OFF	NONE	K6	K96	K36
	ON	NONE	ON*	8530K5	8530K95	8530K35
	ON*	OFF	ON*	K2	K92	K32
	NONE	OFF	ON*	K7	K97	K37
	ON	NONE	OFF*	K10	K910	K310
	OFF	NONE	ON*	K11	K911	K311
	ON	OFF	ON*	8530K3	8530K93	8530K33
ON*	ON	NONE	K12	K912	K312	
ON	ON	NONE	K13	K913	K313	
<b>TWO POLE</b>						
<b>8531</b> 	ON	OFF	ON	8531K1	8531K91	8531K31
	ON	NONE	OFF	K9	K99	K39
	ON	NONE	ON	K4	K94	K34
	ON	OFF	NONE	K6	K96	K36
	ON	NONE	ON*	8531K5	8531K95	8531K35
	ON*	OFF	ON*	K2	K92	K32
	NONE	OFF	ON*	K7	K97	K37
	ON	NONE	OFF*	K10	K910	K310
	OFF	NONE	ON*	K11	K911	K311
	ON	OFF	ON*	8531K3	8531K93	8531K33
	ON*	ON	NONE	K12	K912	K312
	ON	ON	NONE	K13	K913	K313
	ON	ON	ON	K14	K914	K314
	ON	ON	ON*	K15	K915	K315
	ON*	ON	ON*	8531K16	8531K916	8531K316
	ON	ON	ON	K17	K917	K317
	ON	ON	ON*	K18	K918	K318
	ON*	ON	ON*	K19	K919	K319
	<b>FOUR POLE</b>					
<b>8532</b> 	ON	OFF	ON	8532K1	8532K91	8532K31
	ON	NONE	OFF	K9	K99	K39
	ON	NONE	ON	K4	K94	K34
	ON	OFF	NONE	K6	K96	K36
	ON	NONE	ON*	8532K5	8532K95	8532K35
	* ON	OFF	ON*	K2	K92	K32
	NONE	OFF	ON*	K7	K97	K37
	ON	NONE	OFF*	K10	K910	K310
	OFF	NONE	ON*	K11	K911	K311
	ON	OFF	ON*	8532K3	8532K93	8532K33
	* ON	ON	NONE	K12	K912	K312
	ON	ON	NONE	K13	K913	K313
	ON	ON	ON	K15	K915	K315
	ON	ON	ON*	K16	K916	K316
	* ON	ON	ON*	K17	K917	K317

\* Momentary contact.

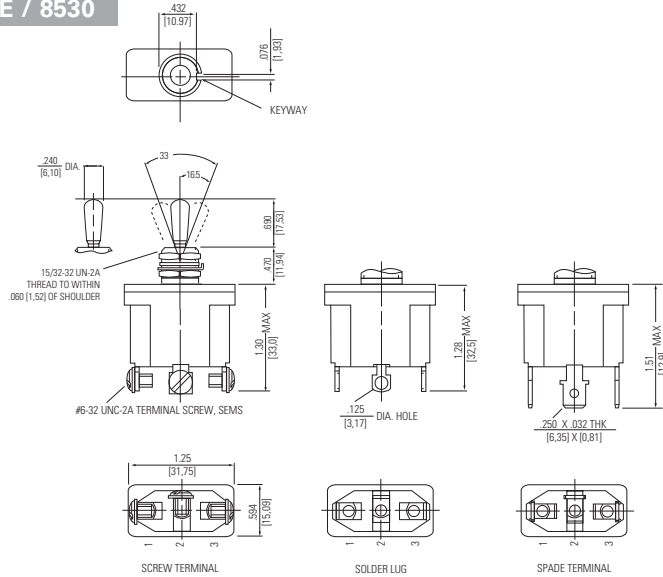
See page A71 for circuit diagrams.

# ECONOSWITCH - ENVIRONMENTALLY SEALED SWITCHES

Series - 8530, 8531, 8532

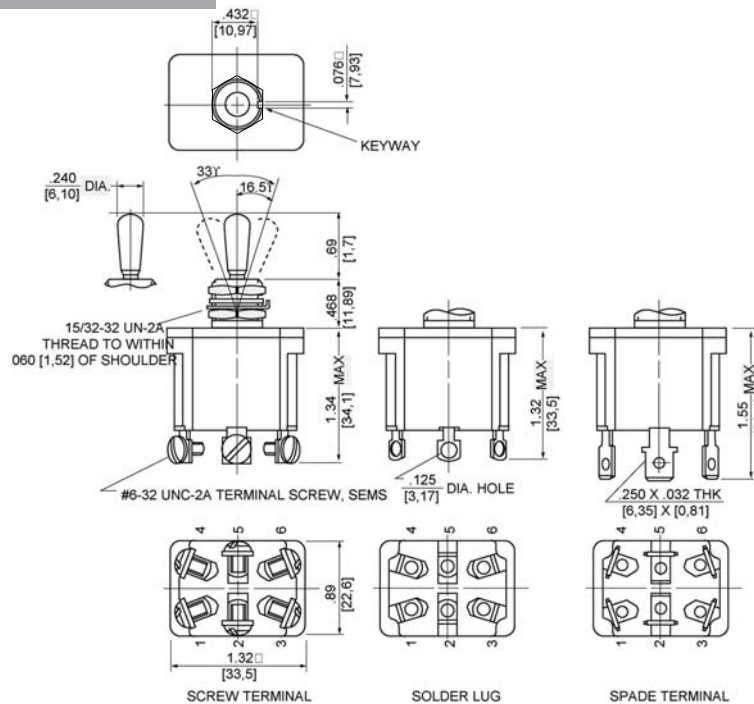
Econoswitch Sealed Toggle Switches

## MOUNTING DIMENSIONS - ONE POLE / 8530



### Terminal Identification

## MOUNTING DIMENSIONS - TWO POLE / 8531



### Terminal Identification

#### STANDARD

0.00 = inches

[0,0] = mm

Mounting dimensions for reference only.

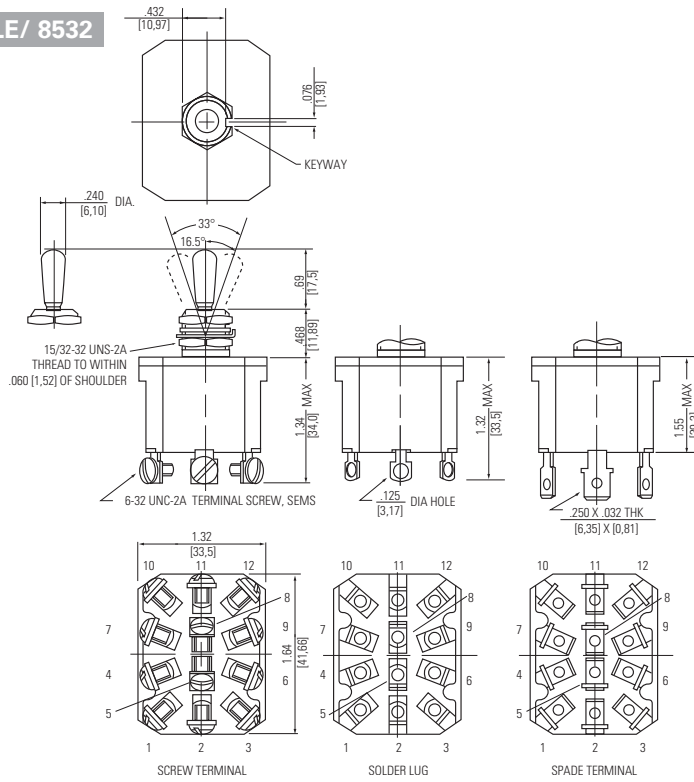
Non-functional terminals not supplied.

# ECONOSWITCH - ENVIRONMENTALLY SEALED SWITCHES

## Econoswitch Sealed Toggle Switches

Series - 8530, 8531, 8532

### MOUNTING DIMENSIONS - FOUR POLE/ 8532



### Terminal Identification

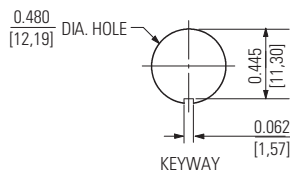
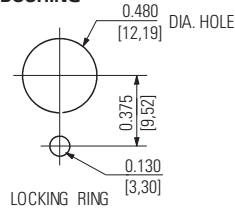
Non-functional terminals not supplied.

### OPTIONS/ACCESSORIES

- Special mounting hardware
- Mounting hardware furnished assembled
- Terminal screws furnished assembled
- Special circuits
- Panel seal, Part Number 32-341
- Custom wire harnesses
- Mating connector available for two poles with spade terminal
- External jumpers available
  - bussing jumper
  - reversing jumpers

### PANEL CUTOUT

#### 15/32 DIA. BUSHING



### STANDARD

0.00 = inches

[0,0] = mm

Mounting dimensions for reference only.