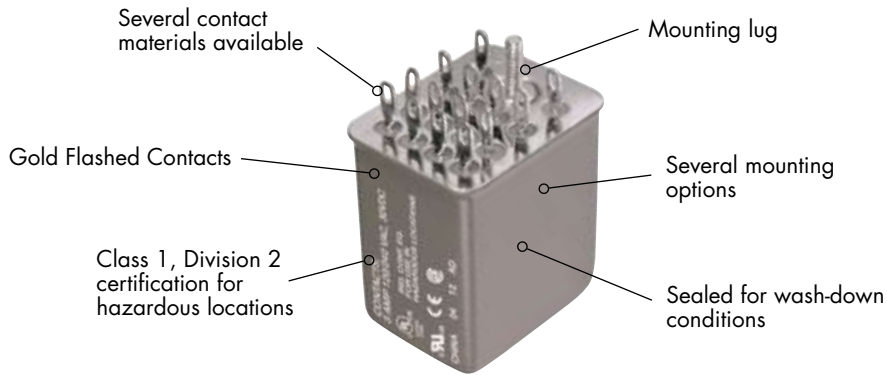
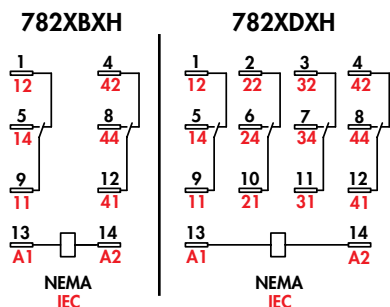


# 782H Hermetic Ice Cube Relays/DPDT, 4PDT, 1 - 5 Amp Rating (DC & AC)

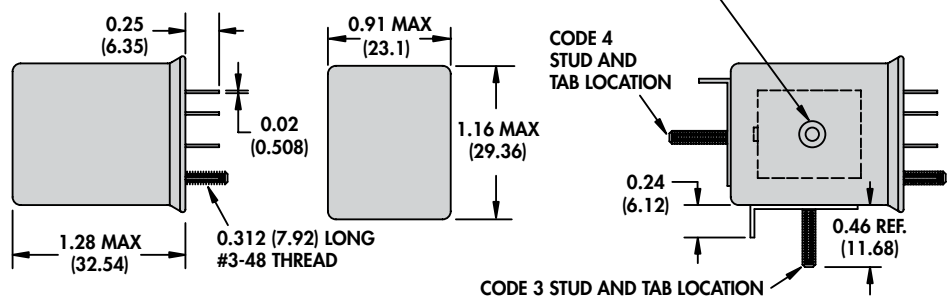


General Specifications (UL 508)			782BHXH21, 782DXH21	782BHXH10, 782DXH10	782DXH32
<b>Contact Characteristics</b>		<b>Units</b>	<b>Standard</b>	<b>Low Level</b>	<b>Low Level</b>
Number and type of Contacts			DPDT, 4PDT	DPDT, 4PDT	4PDT
Contact materials			Silver Alloy	Fine Silver	Bifurcated
Thermal (Carrying) Current		A	5	3	1
Maximum Switching Voltage		V	300	300	300
Switching Current @ Voltage		~	Resistive 5A @ 120V 50/60Hz	3A @ 120V 50/60Hz	1A @ 120V 50/60Hz
		~	Resistive 5A @ 240V 50/60Hz	3A @ 240V 50/60Hz	1A @ 240V 50/60Hz
		~	Resistive 5A @ 30V	3A @ 30V	1A @ 30V
		~	HP	1/16 @ 120VAC	
Minimum Switching Requirement		HP		1/10 @ 240VAC	
		mA	100 @ 5VDC (.5W)	10 @ 5VDC (.05W)	10 @ 5VDC (.05W)
<b>Coil Characteristics</b>					
Voltage Range		~	V 6...240, 50/60 Hz	6...240, 50/60 Hz	6...240, 50/60 Hz
		~	V 6...125	6...125	6...125
Operating Range	% of Nominal	~	85% to 110%	85% to 110%	85% to 110%
		~	80% to 110%	80% to 110%	80% to 110%
Average consumption		VA	1.2	1.2	1.2
Drop-out voltage threshold		W	0.9	0.9	0.9
		~	15%	15%	15%
		~	10%	10%	10%
<b>Performance Characteristics</b>					
Electrical Life (UL508)	Operations @ Rated Current		100,000	100,000	100,000
Mechanical Life	Unpowered		10,000,000	10,000,000	10,000,000
Operating time (response time)		ms	20	20	20
Dielectric strength	Between coil and contact	~	Vrms 1240	1240	1240
	Between poles	~	Vrms 1240	1240	1240
	Between contacts	~	Vrms 500	500	500
		~	Vrms 500	500	500
<b>Environment</b>					
Product certifications	Standard version		UL, CSA, CE	UL, CSA, CE	UL, CSA, CE
Ambient air temperature around the device	Storage	°C	-40...+85	-40...+85	-40...+85
	Operation	°C	-40...+70	-40...+70	-40...+70
Vibration resistance	Operational	g-n	3, 10 - 55 Hz	3, 10 - 55 Hz	3, 10 - 55 Hz
Shock resistance		g-n	10	10	10
Degree of protection			IP 67	IP 67	IP 67
Weight		grams	45	45	45



Wiring Diagrams Bottom View

### 782 HERMETIC MOUNTING OPTIONS



**Standard Part Numbers**

**BOLD-FACED PART NUMBERS ARE NORMALLY STOCKED**

782XBXH	Nominal Voltage	Resistance	Part number (Standard) 5 Amp	Part Number (Low Level) 3 Amp
AC Operated				
24 VAC 50/60 Hz		180 Ohms	782XBXH21-24A	782XBXH10-24A
120 VAC 50/60 Hz		4430 Ohms	782XBXH21-120A	782XBXH10-120A
240 VAC 50/60 Hz		15720 Ohms	782XBXH21-240A	782XBXH10-240A
DC Operated				
12 VDC		160 Ohms	782XBXH21-12D	782XBXH10-12D
24 VDC		650 Ohms	782XBXH21-24D	782XBXH10-24D
110-125 VDC		13800 Ohms	782XBXH21-110/125D	782XBXH10-110/125D

782DXDH	Nominal Voltage	Resistance	Part number (Standard) 5 Amp	Part Number (Low Level) 3 Amp	Part Number (Low Level) 1 Amp
AC Operated					
6 VAC 50/60 Hz		9.6 Ohms	782DXDH21-6A	782DXDH10-6A	782DXDH32-6A
12 VAC 50/60 Hz		46 Ohms	782DXDH21-12A	782DXDH10-12A	782DXDH32-12A
24 VAC 50/60 Hz		180 Ohms	<b>782DXDH21-24A</b>	<b>782DXDH10-24A</b>	782DXDH32-24A
120 VAC 50/60 Hz		4430 Ohms	<b>782DXDH21-120A</b>	<b>782DXDH10-120A</b>	782DXDH32-120A
220-240 VAC 50/60 Hz		15720 Ohms	782DXDH21-220/240A	782DXDH10-220/240A	782DXDH32-220/240A
DC Operated					
6 VDC		40 Ohms	782DXDH21-6D	782DXDH10-6D	782DXDH32-6D
12 VDC		160 Ohms	<b>782DXDH21-12D</b>	<b>782DXDH10-12D</b>	782DXDH32-12D
24 VDC		650 Ohms	<b>782DXDH21-24D</b>	<b>782DXDH10-24D</b>	782DXDH32-24D
48 VDC		2600 Ohms	782DXDH21-48D	782DXDH10-48D	782DXDH32-48D
110-125 VDC		13800 Ohms	<b>782DXDH21-110/125D</b>	<b>782DXDH10-110/125D</b>	782DXDH32-110/125D

**Custom Relay Part Number Builder**

782	XBH	H	21	2	240A
Series	Contact Configuration	Hermetic	Contact Code	Mounting Options	Coil Voltage
782	XBH = DPDT		3 Amp Fine Silver, Gold Diffused = 10	Solder/Plug-In = No Code	VAC = 6 - 240A
	XDH = 4PDT		5 Amp Silver Alloy = 21	Stud on Broad Side = 2	VDC = 6 - 125D
			1 Amp Bifurcated = 32	Stud on Narrow Side = 3	
			3 Amp Silver Alloy = 37	Stud on Top Side = 4	

For other mating sockets, see Section 2: 70-782EL14-1, 70-782E14-1, 70-461-1, 70-378-1, 70-379-1

