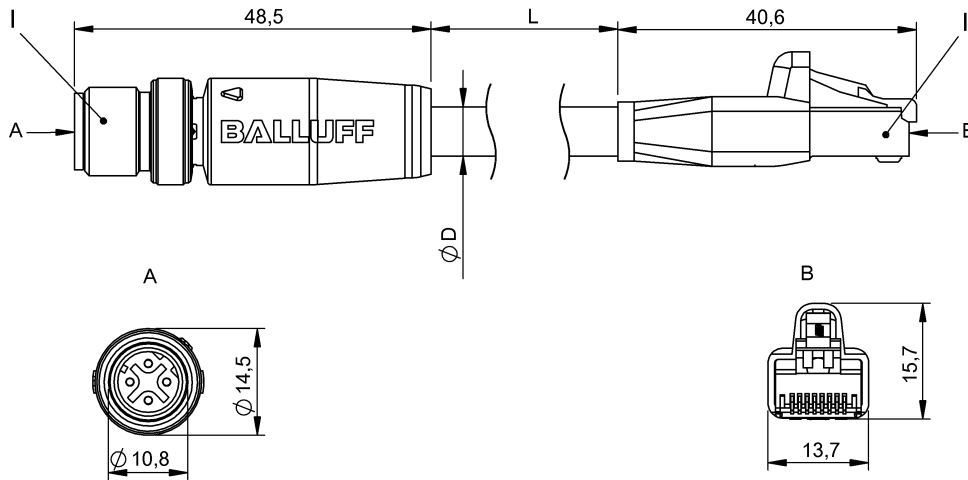


BCC M414-E894-8G-695-EX64N9-030  
BCC0HA4



## Electrical connection

Bending radius min., flexible cable	10 x D
Cable	TPE teal, 3.00 m, Drag chain compatible
Cable diameter D	6.10 mm ±0.13 mm
Cable, bending cycles min.	1 million
Conductor cross-section	AWG 24
Number of conductors	4
Number of pins	4/4
System	Molded/Molded

## Electrical data

Cable rated voltage AC max.	300 V
Cable rated voltage DC max.	300 V
Conductor construction	2x2 twisted-pair
Conductor resistance	≤ 26.0 Ohm/1000 ft
Coupling resistance max.	100 Ohm ±15 Ohm
Operating capacitance	13.5 pF/ft
Rated current (40 °C)	1.0 A

## Environmental conditions

Cable temperature, flexible routing	-40...105 °C
Protection type IEC 60529	IP68 /IP20

## General data

Application	Ethernet
-------------	----------

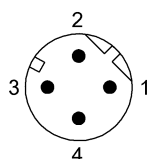
## Material

Material contact carrier	PUR/PA 6.6
Material contacts	Brass/Phosphor bronze, gold plated
Material cover nut	Nickel-plated brass
Material grip	TPU/PVC

## Mechanical data

Tightening torque pigtail	0.6 Nm/-
---------------------------	----------

## Connector view



BCC M414-E894-8G-695-EX64N9-030  
BCC0HA4

## Wiring Diagram

