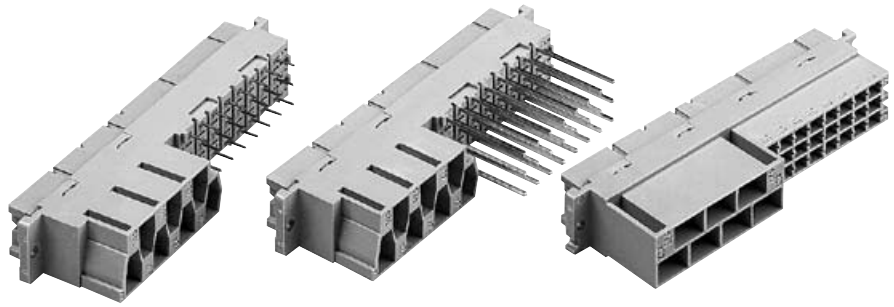


Number of contacts

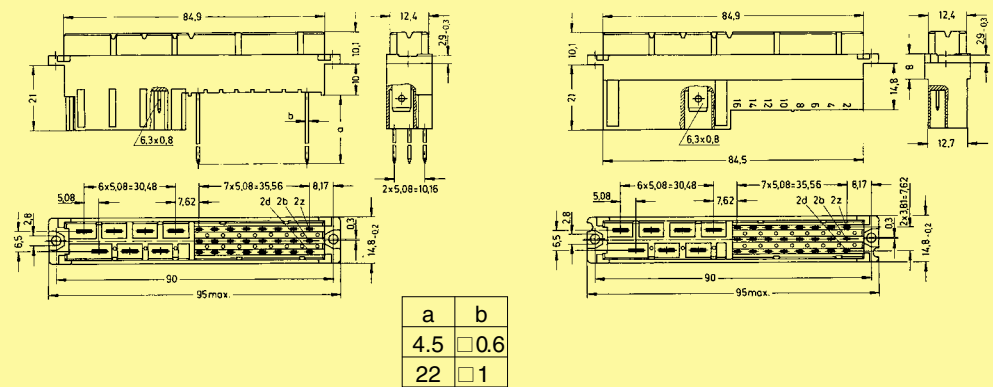
24 + 7
F + H



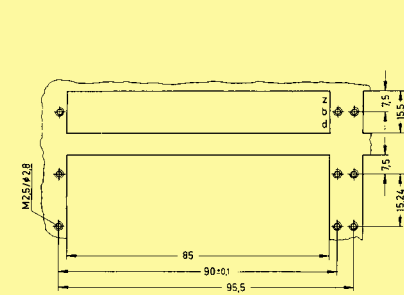
Female connectors

Identification	Number of contacts	Part No.		
		3	2	1
Female connector with solder pins 4.5 mm ¹⁾	24 + 7		09 06 231 6822	09 06 231 2822
Female connector with wrap posts 1 x 1 mm ¹⁾	24 + 7		09 06 231 6821	09 06 231 2821
Female connector for crimp contacts ¹⁾ Order contacts separately, see chapter 02	24 + 7			09 06 231 2881

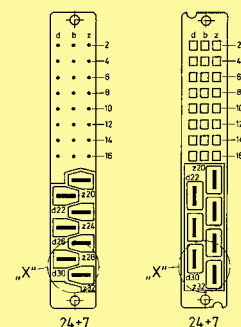
DIN Power to 15 A



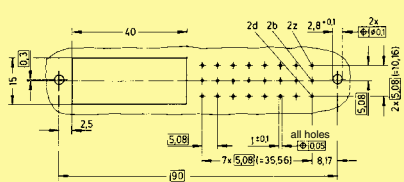
Panel cut out



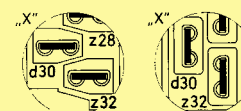
Contact arrangement
View from termination side



Board drillings
Mounting side



Shell housing for female connector with crimp contacts see chapter 20



Dimensions in mm

¹⁾ With shroud coding, see also page 03.26