

Features

- 1-channel isolated barrier
- 24 V DC supply (Power Rail)
- Input 2-wire and 3-wire SMART transmitters and 2-wire SMART current sources
- Signal splitter (1 input and 2 outputs)
- Dual output 0/4 mA ... 20 mA
- Terminal blocks with test sockets
- Up to SIL3 acc. to IEC 61508

Function

This isolated barrier is used for intrinsic safety applications. The device supplies 2-wire and 3-wire SMART transmitters in a hazardous area, and can also be used with 2-wire SMART current sources.

It transfers the analog input signal to the safe area as two isolated current values.

Digital signals may be superimposed on the input signal in the hazardous or safe area and are transferred bi-directionally.

If the HART communication resistance in the loop is too low, the internal resistance of 250 Ω between terminals 8, 9 and 11, 12 can be used.

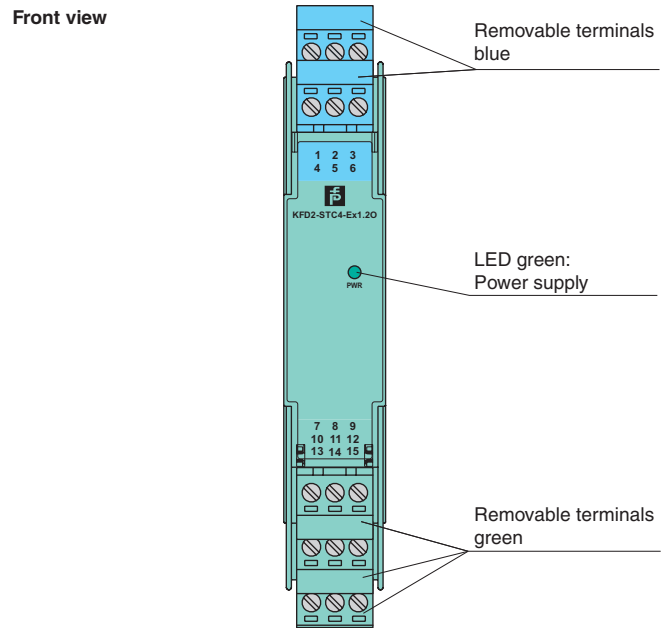
Test sockets for the connection of HART communicators are integrated into the terminals of the device.

Application

The device supports the following SMART protocols:

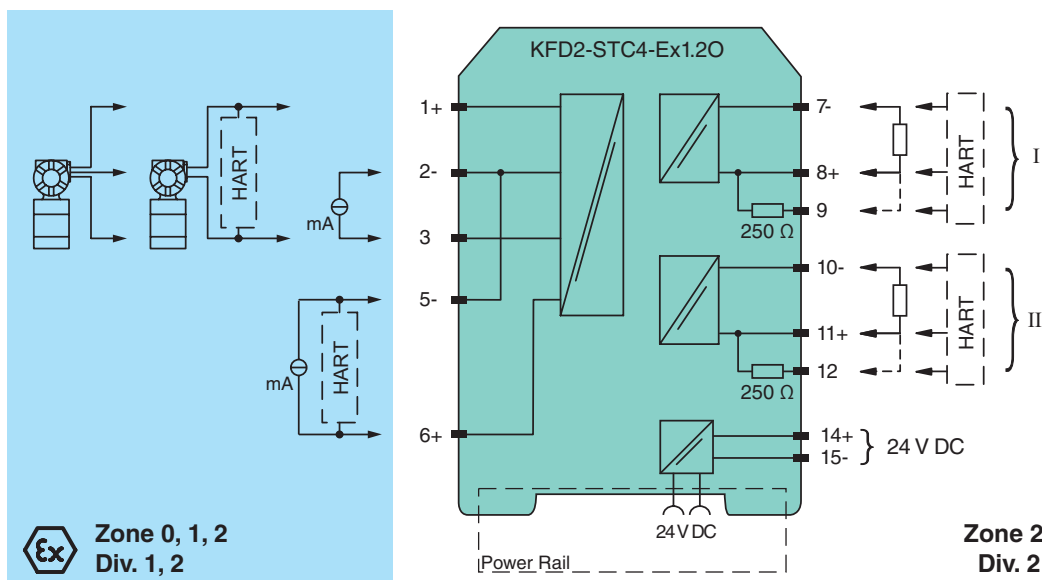
- HART
- BRAIN
- Foxboro

Assembly



SIL3

Connection



Release date 2014-12-01 16:23 Date of issue 2015-02-27 231389_eng.xml

Refer to "General Notes Relating to Pepperl+Fuchs Product Information".

Pepperl+Fuchs Group
www.pepperl-fuchs.com

USA: +1 330 486 0002
pa-info@us.pepperl-fuchs.com

Germany: +49 621 776 2222
pa-info@de.pepperl-fuchs.com

Singapore: +65 6779 9091
pa-info@sg.pepperl-fuchs.com

General specifications		
Signal type		Analog input
Supply		
Connection		Power Rail or terminals 14+, 15-
Rated voltage	U_n	20 ... 35 V DC
Ripple		within the supply tolerance
Power loss		1.8 W
Power consumption		2.4 W
Input		
Connection		terminals 1+, 2-, 3 or 5-, 6+
Input signal		0/4 ... 20 mA
Open circuit voltage/short-circuit current		terminals 1+, 3-: 22.7 V / 38 mA
Voltage drop		terminals 5, 6 : ≤ 2.4 V at 20 mA
Input resistance		terminals 2-, 3: $\leq 76 \Omega$ terminals 1+, 3: $\leq 500 \Omega$ (250 Ω load)
Available voltage		terminals 1+, 3: ≥ 16 V at 20 mA
Output		
Connection		terminals 7-, 8+,9; 10-, 11+,12
Load		0 ... 550 Ω
Output signal		0/4 ... 20 mA (overload > 25 mA)
Ripple		$\leq 50 \mu A_{rms}$
Transfer characteristics		
Deviation		at 20 °C (68 °F), 0/4 ... 20 mA $\leq 10 \mu A$ incl. calibration, linearity, hysteresis, loads and fluctuations of supply voltage
Influence of ambient temperature		0.25 $\mu A/K$
Frequency range		field side into the control side: bandwidth with 0.5 V_{pp} signal 0 ... 7.5 kHz (-3 dB) control side into the field side: bandwidth with 0.5 V_{pp} signal 0.3 ... 7.5 kHz (-3 dB)
Settling time		200 μs
Rise time/fall time		20 μs
Electrical isolation		
Output/power supply		functional insulation, rated insulation voltage 50 V AC
Output/Output		functional insulation, rated insulation voltage 50 V AC
Directive conformity		
Electromagnetic compatibility		
Directive 2004/108/EC		EN 61326-1:2006
Conformity		
Electromagnetic compatibility		NE 21:2011
Degree of protection		IEC 60529:2001
Protection against electrical shock		UL 61010-1:2012
Ambient conditions		
Ambient temperature		-20 ... 60 °C (-4 ... 140 °F)
Mechanical specifications		
Degree of protection		IP20
Mass		approx. 200 g
Dimensions		20 x 124 x 115 mm (0.8 x 4.9 x 4.5 in) , housing type B2
Mounting		on 35 mm DIN mounting rail acc. to EN 60715:2001
Data for application in connection with Ex-areas		
EC-Type Examination Certificate		BAS 99 ATEX 7060 , for additional certificates see www.pepperl-fuchs.com
Group, category, type of protection		Ex II (1)G [Ex ia Ga] IIC , Ex II (1)D [Ex ia Da] IIIC
Input		[Ex ia Ga] IIC, [Ex ia Da] IIIC
Supply		
Maximum safe voltage	U_m	250 V (Attention! The rated voltage can be lower.)
Equipment		terminals 1+, 3-
Voltage	U_o	25.4 V
Current	I_o	86.8 mA
Power	P_o	551 mW
Permissible connection values [EEx ia]		
Equipment		terminals 2-, 3
Current I_o /Current I_i		74 mA / 115 mA
Current	I_i	115 mA
Voltage	U_o	3.5 V
Current	I_o	74 mA
Power	P_o	64 mW
Permissible connection values [EEEx ia]		

Release date 2014-12-01 16:23 Date of issue 2015-02-27 231389_eng.xml

Refer to "General Notes Relating to Pepperl+Fuchs Product Information".

Pepperl+Fuchs Group
www.pepperl-fuchs.com

USA: +1 330 486 0002
pa-info@us.pepperl-fuchs.com

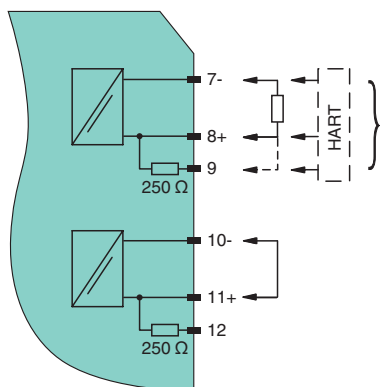
Germany: +49 621 776 2222
pa-info@de.pepperl-fuchs.com

Singapore: +65 6779 9091
pa-info@sg.pepperl-fuchs.com

Equipment		terminals 1+, 2 / 3-
Voltage	U_i	30 V
Current	I_i	115 mA
Voltage	U_o	25.4 V
Current	I_o	115 mA
Power	P_o	584 mW
Permissible connection values [EEx ia]		
Equipment		terminals 5-, 6+
Voltage	U_i	30 V
Current	I_i	115 mA
Voltage	U_o	8.7 V
Current	I_o	0 mA
Output		
Maximum safe voltage	U_m	250 V (Attention! The rated voltage can be lower.)
EC-Type Examination Certificate		DMT 01 ATEX E 133
Group, category, type of protection		⊕ I (M1) [Ex ia] I
Statement of conformity		TÜV 99 ATEX 1499 X , observe statement of conformity
Group, category, type of protection, temperature class		⊕ II 3G Ex nA II T4 [device in zone 2]
Electrical isolation		
Input/Output		safe electrical isolation acc. to IEC/EN 60079-11, voltage peak value 375 V
Input/power supply		safe electrical isolation acc. to IEC/EN 60079-11, voltage peak value 375 V
Directive conformity		
Directive 94/9/EC		EN 60079-0:2012 , EN 60079-11:2012 , EN 60079-15:2010 , EN 50303:2000
International approvals		
UL approval		
Control drawing		116-0173 (cULus)
IECEX approval		IECEX BAS 04.0016
Approved for		[Ex ia Ga] IIC, [Ex ia Da] IIIC, [Ex ia Ma] I
General information		
Note		Both output loads must be connected to ensure complete and correct operation within the technical specification.
Supplementary information		EC-Type Examination Certificate, Statement of Conformity, Declaration of Conformity, Attestation of Conformity and instructions have to be observed where applicable. For information see www.pepperl-fuchs.com .

Configuration active output (source)

If only one output of the two outputs is used, a jumper have to be set as follows.



Release date 2014-12-01 16:23 Date of issue 2015-02-27 231389_eng.xml

Accessories

Power feed module KFD2-EB2

The power feed module is used to supply the devices with 24 V DC via the Power Rail. The fuse-protected power feed module can supply up to 150 individual devices depending on the power consumption of the devices. Collective error messages received from the Power Rail activate a galvanically-isolated mechanical contact.

Power Rail UPR-03

The Power Rail UPR-03 is a complete unit consisting of the electrical insert and an aluminium profile rail 35 mm x 15 mm. To make electrical contact, the devices are simply engaged.

Profile Rail K-DUCT with Power Rail

The profile rail K-DUCT is an aluminum profile rail with Power Rail insert and two integral cable ducts for system and field cables. Due to this assembly no additional cable guides are necessary.



Power Rail and Profile Rail must not be fed via the device terminals of the individual devices!