

PART NAME

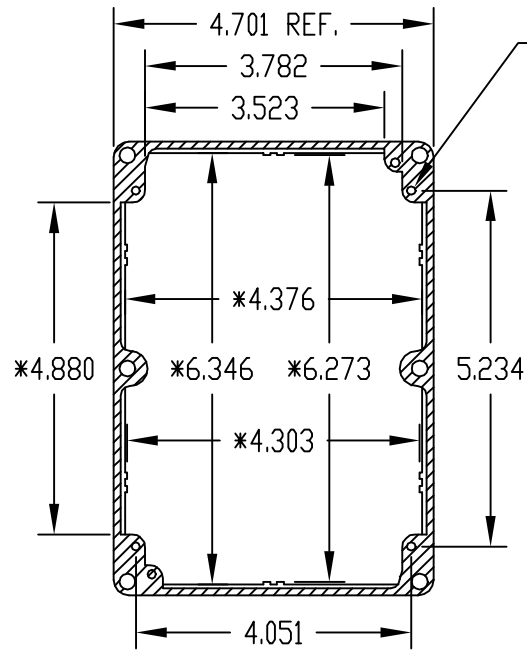
NEMA 4 ENCLOSURE

PART No.

AN-1306, AN-1306-G, AN-2806 & AN-2806-B

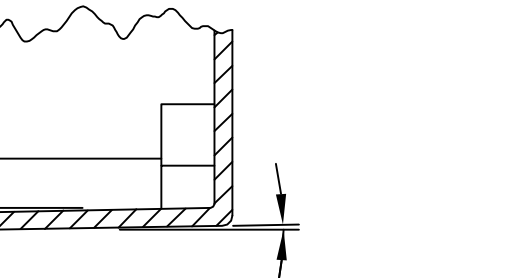
REV. DATE

2-12-04

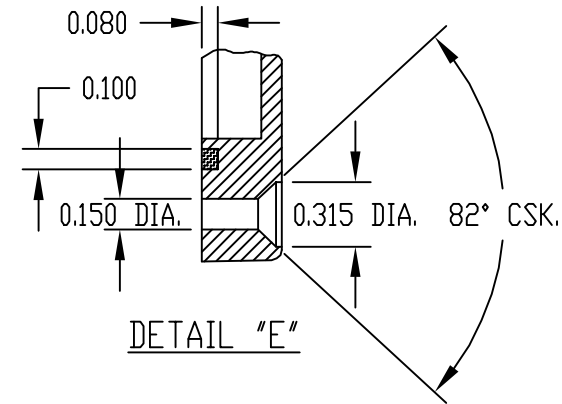


0.125 DIA. x 0.250 DEEP
 (4) PLACES
 ACCEPTS EITHER M3.5 METRIC
 OR #6 STD. SHEET METAL
 SCREWS x 0.250" LG.
 (NOT SUPPLIED)

1° DRAFT REF.



SECTION "B-B" 1° DRAFT REF.



DETAIL "E"

MATERIAL: ALUMINUM ALLOY #ADC-10

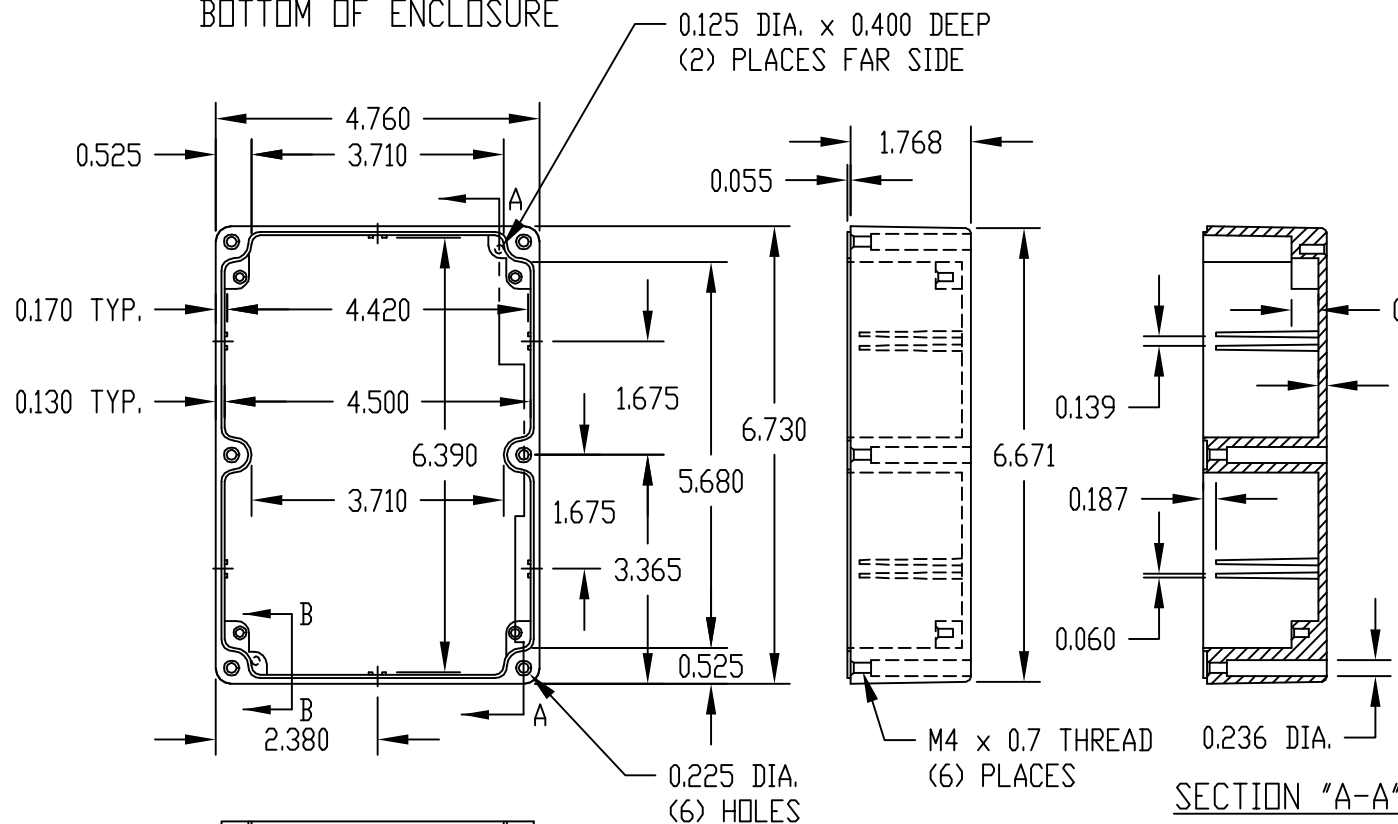
FINISH: NATURAL (NO SUFFIX)
 GRAY (SUFFIX -G)
 SMOOTH BLACK (SUFFIX -B)

SIX (6) M4 x 20mm (0.787") LG. SCREWS
 SUPPLIED FOR ASSEMBLY.

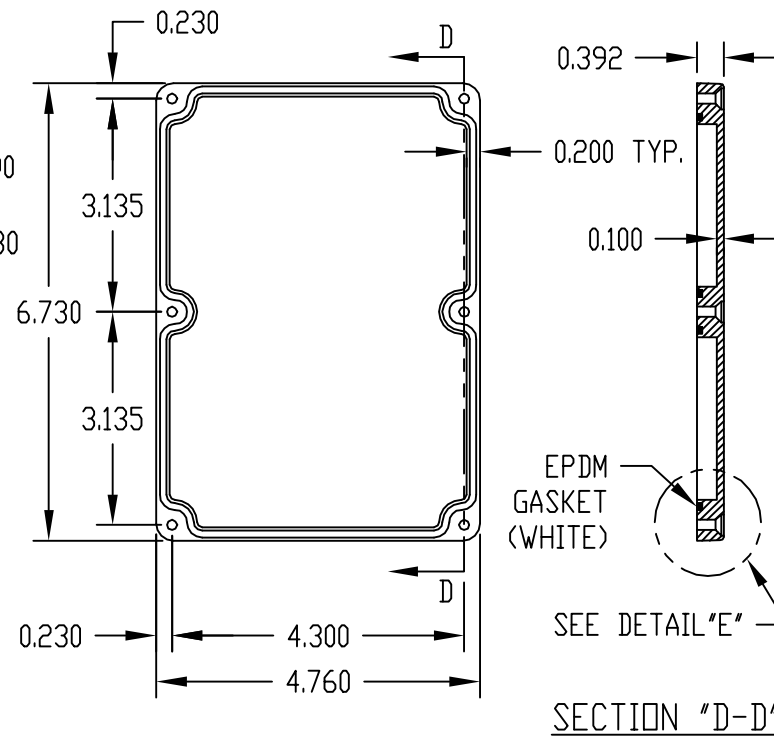
TWO (2) M3.5 x 6mm LG. NICKEL PLATED
 SCREWS AND WASHERS SUPPLIED FOR
 GROUNDING

ALL DIMENSIONS HAVE ±0.015 TOLERANCE
 UNLESS OTHERWISE SPECIFIED

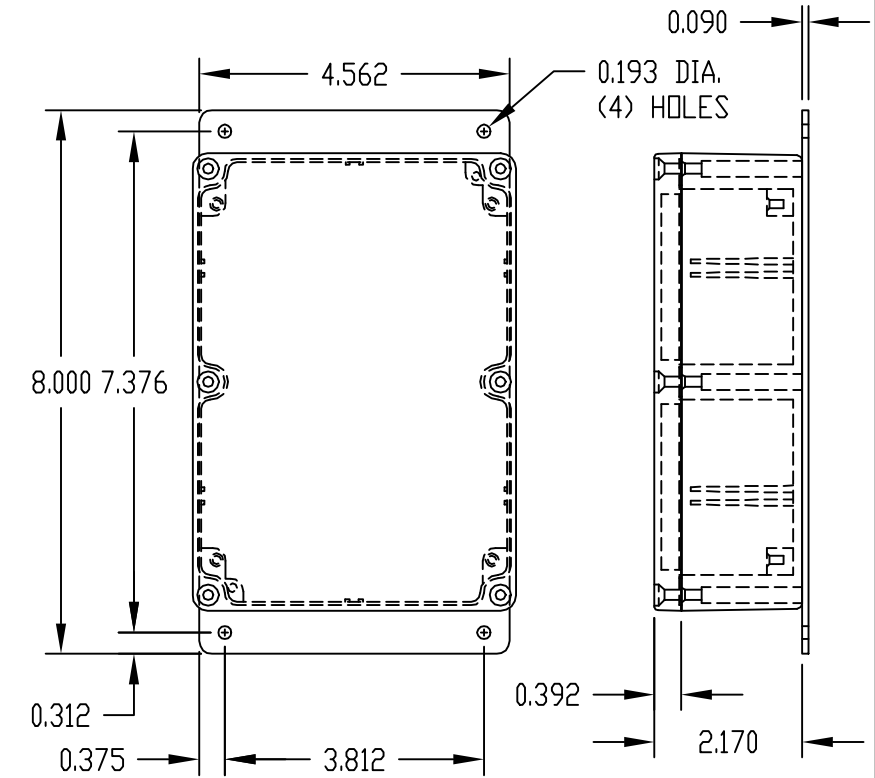
SECTION "C-C"
 * DIMENSIONS ARE AT
 BOTTOM OF ENCLOSURE



BODY



COVER



PART NO. AN-2806 & AN-2806-B
 ARE SUPPLIED WITH A WELDED
 ON MOUNTING BRACKET ONLY.