

206306-4 Product Details

[Share](#) [Print](#) [Email](#)




206306-4

TE Internal Number: 206306-4

 Active

[View 3D PDF](#)

CPC (Circular Plastic) and Circular Metal-Shell Connectors

 Always EU RoHS/ELV Compliant
(Statement of Compliance)

Product Highlights:

- Housing
- Connector Style = Receptacle
- 37 Positions
- 37 Signal Positions
- 0 Power Positions

[View all Features](#)

Quick Links

- ▶ [Pricing & Availability](#)
- ▶ [Search for Tooling](#)
- ▶ [View Mating Products \(2\)](#)
- ▶ [Product Feature Selector](#)
- ▶ [Contact Us About This Product](#)

[Add to My Part List](#)

[Request Sample](#)

[Find Similar Products](#)

[Buy Product](#)

Documentation & Additional Information

Product Drawings:

- [RECEPTACLE HOUSING, REVERSE SEX, SHELL SIZE 23, CPC](#) (PDF, English)

Catalog Pages/Data Sheets:

- [AMP Circular Connectors for Commercial Signal & Powe...](#) (PDF, English)

Product Specifications:

- None Available

Application Specifications:

- [Circular Plastic Connectors \(CPC\)](#) (PDF, English)

Instruction Sheets:

- None Available

CAD Files: (CAD Format & Compression Information)

- [2D Drawing](#) (DXF, Version AH)
- [3D Model](#) (IGES, Version AH)
- [3D Model](#) (STEP, Version AH)

[List all Documents](#)

Related Products:

- [Tooling](#)
- [Mating Products \(2\)](#)

Product Features (Please use the Product Drawing for all design activity)

Product Type Features:

- Connector Type = Housing
- Mount Angle = Straight
- Shell Size = 23
- Shell Type = All Plastic
- Product Series = Series 1
- Thread Size = 1-3/8 - 18 UNEF-2A
- Sealed = Yes

Mechanical Attachment:

- Mount = Free Hanging
- Mating Retention Type = Threaded Coupling

Termination Features:

- Seal Type = Peripheral

Configuration Features:

- Number of Positions = 37
- Number of Signal Positions = 37
- Number of Power Positions = 0
- Environmental Protection = With
- Reverse Numbering = Without

Industry Standards:

- VDE Tested = No
- RoHS/ELV Compliance = RoHS compliant, ELV compliant
- Lead Free Solder Processes = Not relevant for lead free process
- RoHS/ELV Compliance History = Always was RoHS compliant

Contact Features:

- [Contact Type](#) = Socket
- [Reverse Gender](#) = Reverse

Housing Features:

- [Connector Style](#) = Receptacle
- Mating Alignment Type = Keyed
- Housing Material = Nylon
- Housing Color = Black
- UL Flammability Rating = UL 94V-0

Identification Marking:

- Keying = A

Environmental:

- [Fluid Resistance](#) = Immersion

Other:

- Brand = AMP
- Comment = 5 Locating Key Arrangement.

Corporate Information

[About TE](#)
[Investors](#)
[News Room](#)
[Supplier Portal](#)
[Careers](#)
[Terms & Conditions](#)
[Privacy Policy](#)

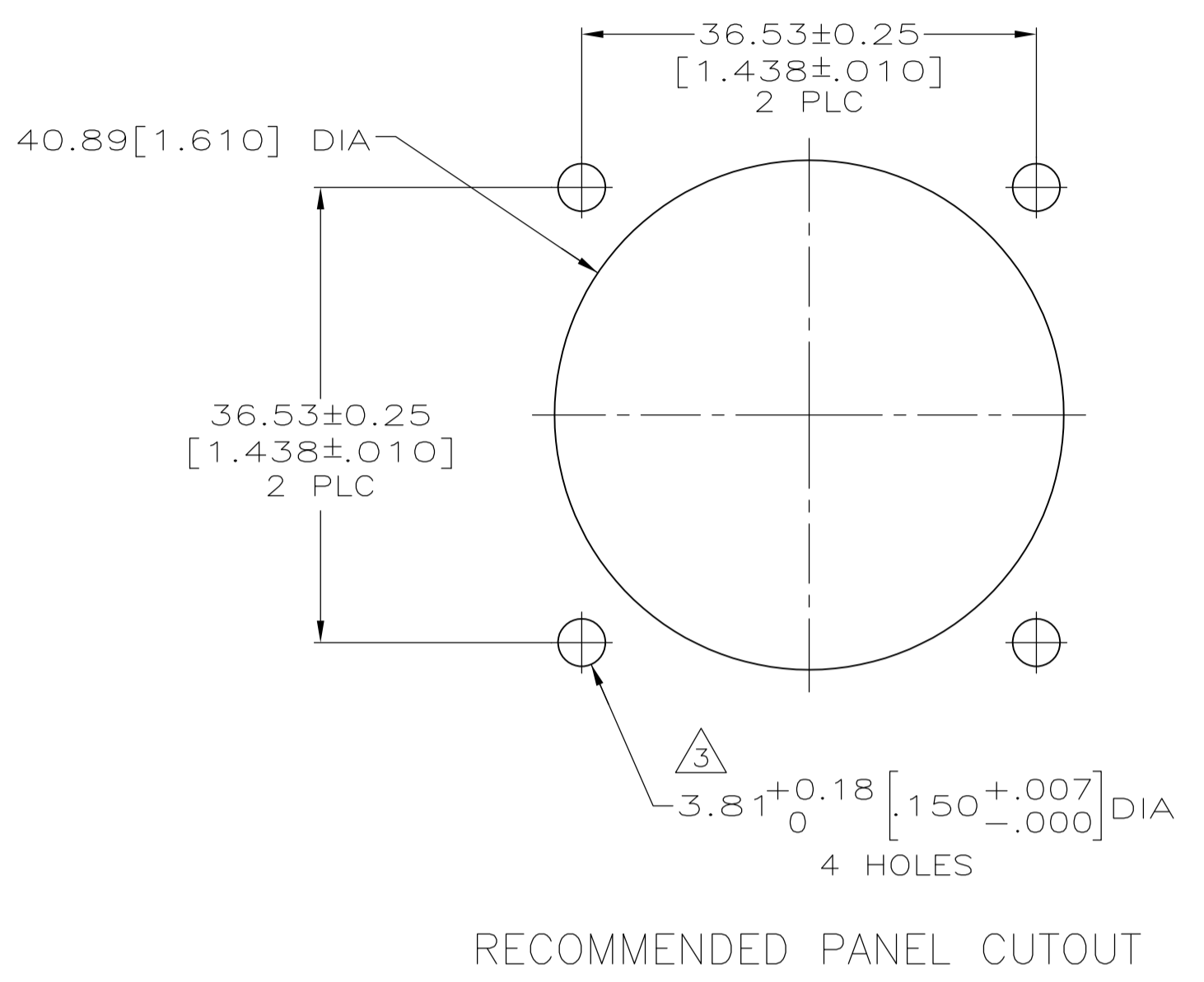
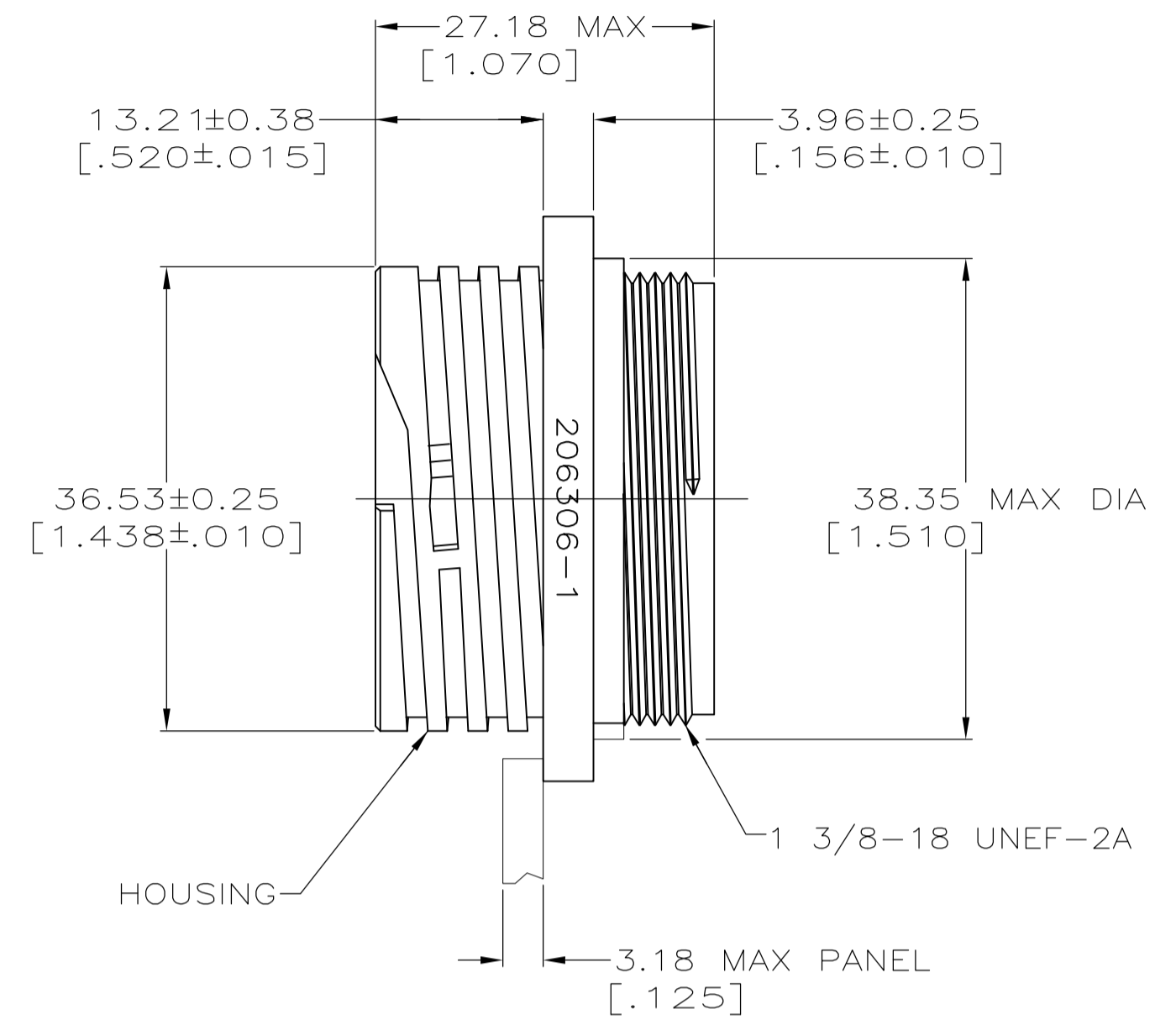
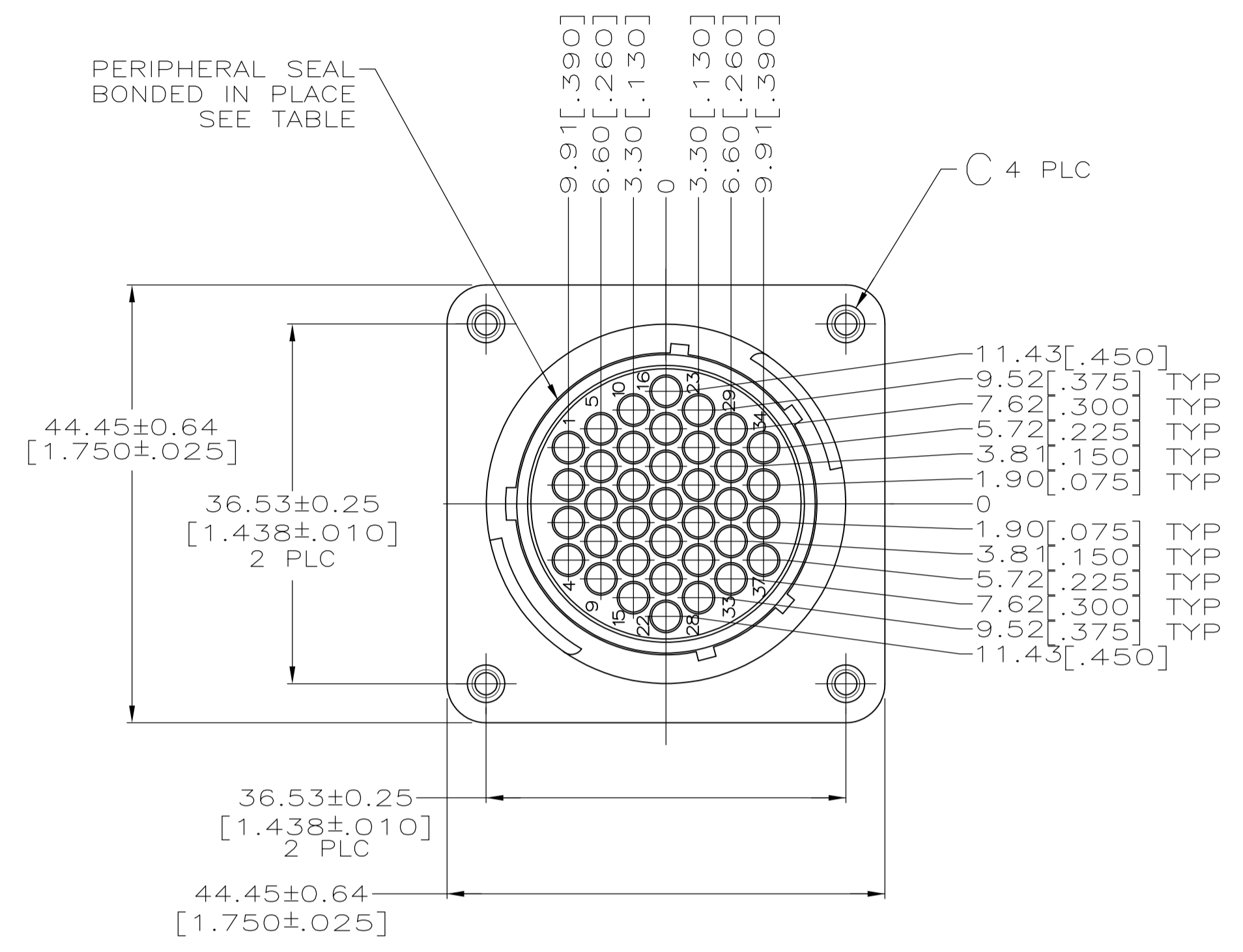
Quick Links

[Distributor Inventory](#)
[Product Cross Reference](#)
[Documents & Drawings](#)
[Product Compliance Support Center](#)
[Site Map](#)

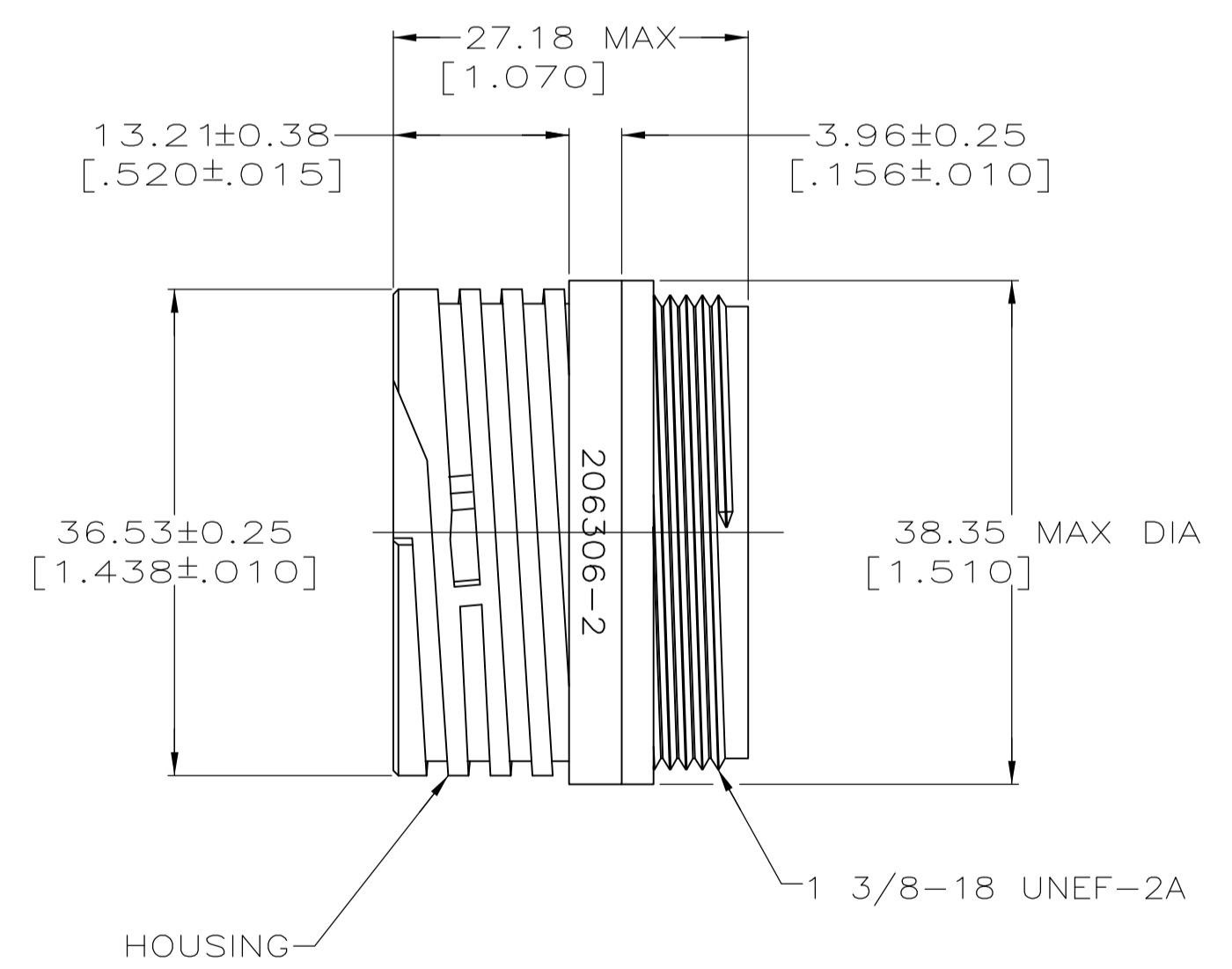
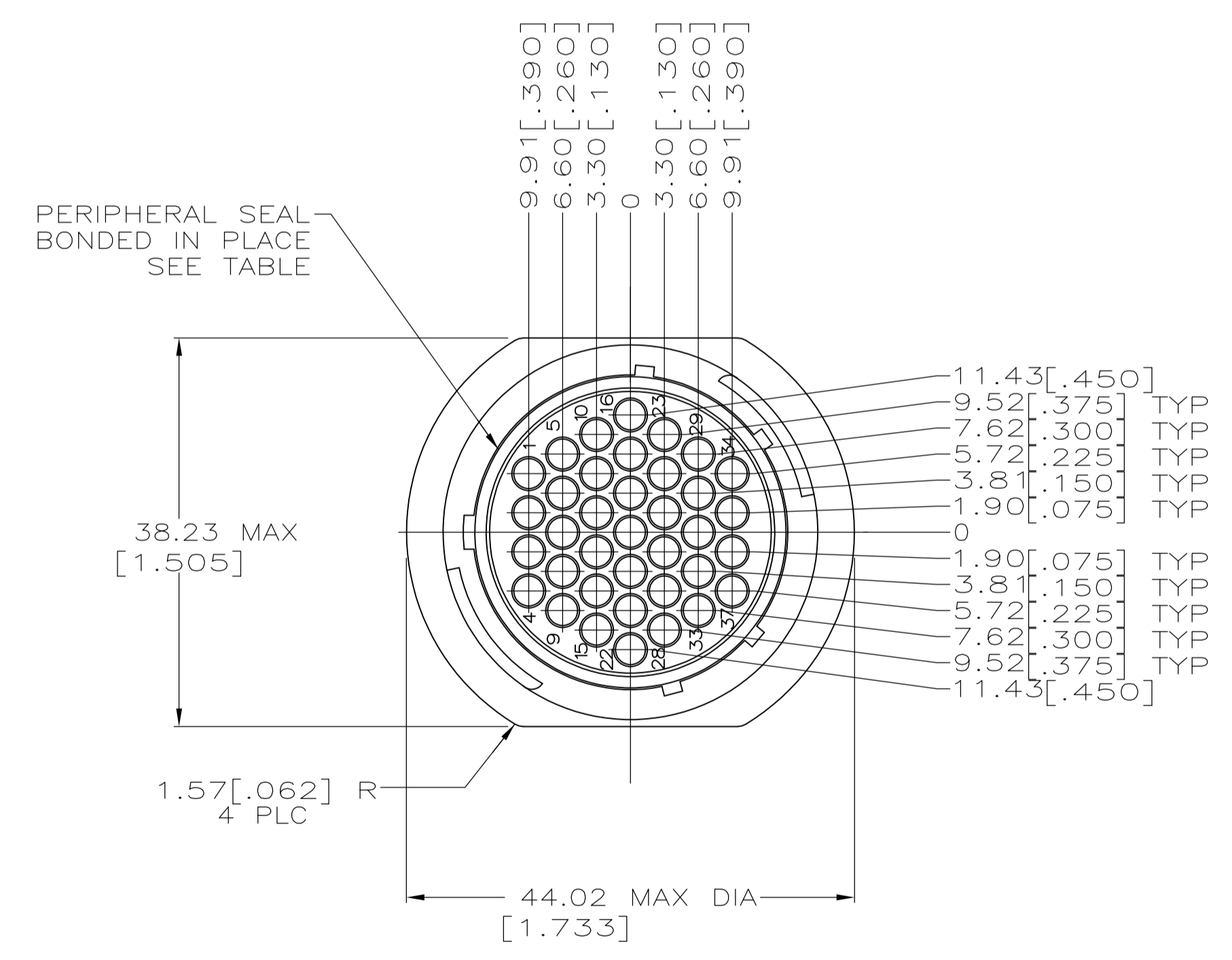
Customer Support

[Email or Chat With Us](#)
[Find a Phone Number](#)
[Knowledge Base](#)
[Manage Your Account](#)

Keep Me Informed



DETAIL A



DETAIL B

- 1 CAVITY IDENTIFICATION ON FRONT AND REAR FACE.
- 2 WILL ACCEPT THIRTY-SEVEN (37) MULTIMATE SOCKET CONTACTS.
- 3 NO 4 FASTENER RECOMMENDED FOR MOUNTING.
- 4 NYLON 6/6, NATURAL.
- 5 OBSOLETE PARTS: OBSOLETE CIS STREAMLINING PER D.RENAUD/D.SINISI

OBSOLETE 5	STANDARD	NO	3.81 [.150] DIA HOLE	A	4 206306-8-
	SMALL PACK	NO	3.81 [.150] DIA HOLE	A	206306-6-
	STANDARD	NO	4-40 THREADED INSERT	A	206306-5
	STANDARD	YES	-	B	206306-4
	STANDARD	YES	3.81 [.150] DIA HOLE	A	206306-3
	STANDARD	NO	-	B	206306-2
	STANDARD	NO	3.81 [.150] DIA HOLE	A	206306-1
	PACKAGING	PERIPHERAL SEAL		C	SEE DETAIL

THIS DRAWING IS A CONTROLLED DOCUMENT.

DIMENSIONS: MM [INCHES]	TOLERANCES UNLESS OTHERWISE SPECIFIED:	DIN D.GELTZ 07/26/93	APVD R.STONE 08/13/93	NAME
0 PLC ± -	1 PLC ± -	2 PLC ± 0.13 [.005]	3 PLC ± -	4 PLC ± -
ANGLES ± -		SIZE	CAGE CODE	DRAWING NO
MATERIAL HOUSING: NYLON, BLACK	FINISH -	WEIGHT -	A1 00779	C=206306
INSERT: BRASS		CUSTOMER DRAWING	SCALE 2:1	SHEET 1 OF 1 REV

STE TE Connectivity

RECEPTACLE HOUSING, REVERSE SEX, SHELL SIZE 23, CPC