



**Have a Question?**  
 Chat with a Product Information Specialist

What can we help you find?

[Products](#) | 
 [Industries](#) | 
 [Resources](#) | 
 [About TE](#) | 
 [My Account](#) | 
 [Innovation](#) | 
 [Support Center](#)

## 206044-1 Product Details

[Share](#) | 
 [Print](#) | 
 [Email](#)



**206044-1**

TE Internal Number: 206044-1

Active

View 3D PDF

### CPC (Circular Plastic) and Circular Metal-Shell Connectors

Always EU RoHS/ELV Compliant (Statement of Compliance)

**Product Highlights:**

- Housing
- Connector Style = Plug
- 14 Positions
- 14 Signal Positions
- 0 Power Positions

[View all Features](#)

### Quick Links

- ▶ [Pricing & Availability](#)
- ▶ [Search for Tooling](#)
- ▶ [View Mating Products \(8\)](#)
- ▶ [Product Feature Selector](#)
- ▶ [Contact Us About This Product](#)

[Add to My Part List](#) | 
 [Request Sample](#) | 
 [Find Similar Products](#) | 
 [Buy Product](#)

Documentation & Additional Information	
<p><b>Product Drawings:</b></p> <ul style="list-style-type: none"> <li>• <a href="#">PLUG ASSEMBLY, SHELL SIZE 17, REVERSE SEX, CPC (PDF, English)</a></li> </ul> <p><b>Catalog Pages/Data Sheets:</b></p> <ul style="list-style-type: none"> <li>• <a href="#">AMP Circular Connectors for Commercial Signal &amp; Powe... (PDF, English)</a></li> </ul> <p><b>Product Specifications:</b></p> <ul style="list-style-type: none"> <li>• None Available</li> </ul> <p><b>Application Specifications:</b></p> <ul style="list-style-type: none"> <li>• <a href="#">Circular Plastic Connectors (CPC) (PDF, English)</a></li> </ul> <p><b>Instruction Sheets:</b></p> <ul style="list-style-type: none"> <li>• <a href="#">Sealed Circular Plastic Connectors (PDF, English)</a></li> <li>• <a href="#">Circular Plastic Connectors (CPC) (PDF, English)</a></li> </ul> <p><b>CAD Files: (CAD Format &amp; Compression Information)</b></p> <ul style="list-style-type: none"> <li>• <a href="#">2D Drawing (DXF, Version K)</a></li> <li>• <a href="#">3D Model (IGES, Version K)</a></li> <li>• <a href="#">3D Model (STEP, Version K)</a></li> </ul>	<p><b>Additional Product Images:</b></p> <ul style="list-style-type: none"> <li>• <a href="#">Contact Arrangement</a></li> <li>• <a href="#">Keying Options</a></li> </ul> <p><b>Related Products:</b></p> <ul style="list-style-type: none"> <li>• <a href="#">Tooling</a></li> <li>• <a href="#">Mating Products (8)</a></li> </ul>

[List all Documents](#)

Product Features (Please use the Product Drawing for all design activity)	
<p><b>Product Type Features:</b></p> <ul style="list-style-type: none"> <li>• Connector Type = Housing</li> <li>• Mount Angle = Straight</li> <li>• Shell Size = 17</li> <li>• Shell Type = All Plastic</li> <li>• Product Series = Series 1</li> <li>• Thread Size = 15/16-20 UNEF-2A</li> <li>• Sealed = No</li> </ul> <p><b>Mechanical Attachment:</b></p> <ul style="list-style-type: none"> <li>• Mount = Free Hanging</li> <li>• Mating Retention Type = Threaded Coupling</li> </ul> <p><b>Contact Features:</b></p> <ul style="list-style-type: none"> <li>• Contact Type = Pin</li> <li>• Reverse Gender = Reverse</li> </ul> <p><b>Housing Features:</b></p> <ul style="list-style-type: none"> <li>• Connector Style = Plug</li> <li>• Mating Alignment Type = Keyed</li> <li>• Housing Material = Thermoplastic - GF</li> <li>• Housing Color = Black</li> <li>• UL Flammability Rating = UL 94V-0</li> </ul>	<p><b>Configuration Features:</b></p> <ul style="list-style-type: none"> <li>• Number of Positions = 14</li> <li>• Number of Signal Positions = 14</li> <li>• Number of Power Positions = 0</li> <li>• Environmental Protection = Without</li> <li>• Reverse Numbering = Without</li> </ul> <p><b>Industry Standards:</b></p> <ul style="list-style-type: none"> <li>• VDE Tested = No</li> <li>• RoHS/ELV Compliance = RoHS compliant, ELV compliant</li> <li>• Lead Free Solder Processes = Not relevant for lead free process</li> <li>• RoHS/ELV Compliance History = Always was RoHS compliant</li> </ul> <p><b>Identification Marking:</b></p> <ul style="list-style-type: none"> <li>• Keying = A</li> </ul> <p><b>Environmental:</b></p> <ul style="list-style-type: none"> <li>• Fluid Resistance = None</li> </ul> <p><b>Other:</b></p> <ul style="list-style-type: none"> <li>• Brand = AMP</li> </ul>

THIS DRAWING IS UNPUBLISHED.

RELEASED FOR PUBLICATION

--

© COPYRIGHT - By -

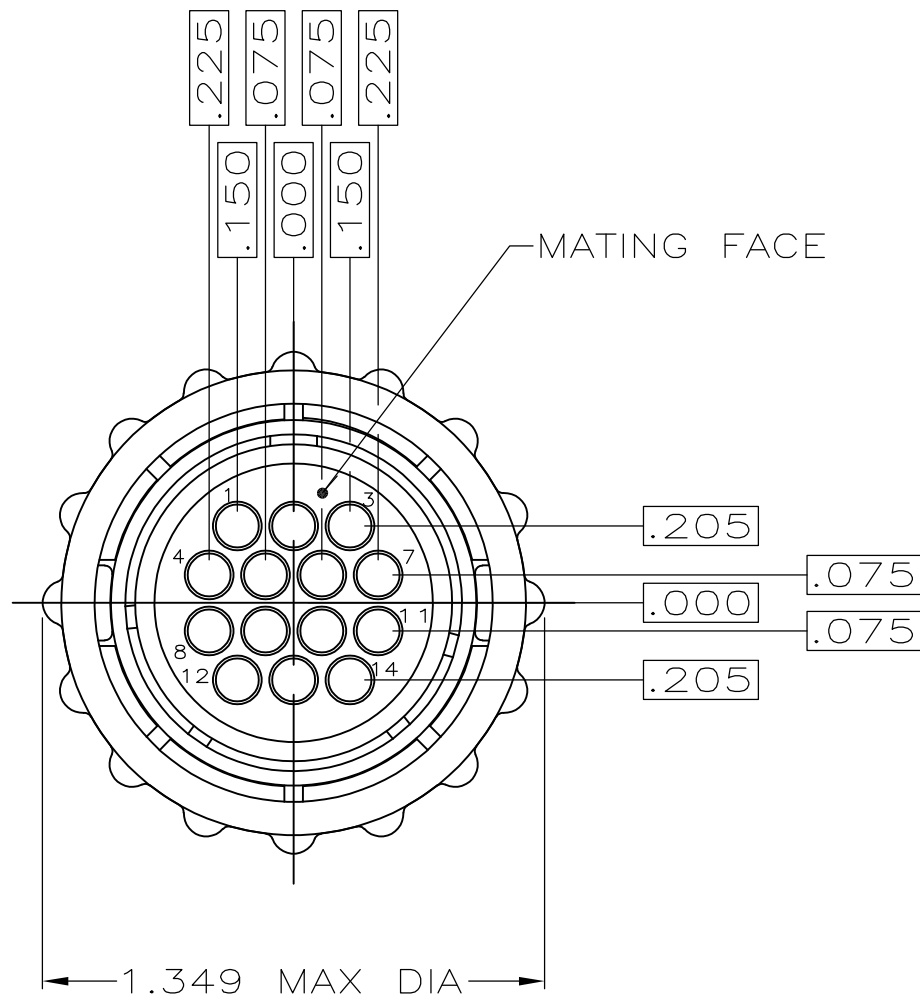
ALL RIGHTS RESERVED.

LOC  
FT

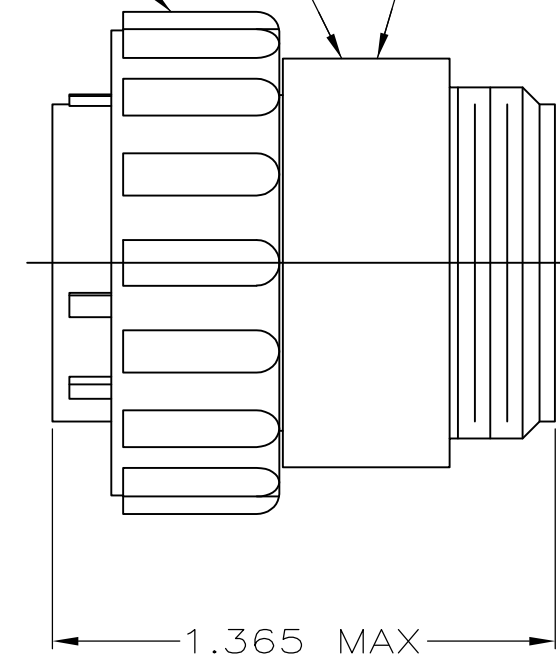
DIST  
4

REVISIONS

P	LTR	DESCRIPTION	DATE	DWN	APVD
G1		REVISED PER ECO-11-004587	11MAR11	RK	HMR



GLASS FILLED NYLON, 6/6, BLACK  
 POLYESTER, BLACK  
 AMP & PART NUMBER THIS DIA



206044-1  
 PART NUMBER

- CONTACT CAVITIES IDENTIFIED BY CHARACTERS ON FRONT AND REAR FACE OF CONNECTOR.
- WILL ACCEPT (14) MULTIMATE PIN CONTACTS.

THIS DRAWING IS A CONTROLLED DOCUMENT.		DWN S.RIDGLEY	7/31/90	<b>STE</b> TE Connectivity	
		CHK R.STONE	04/26/91		
DIMENSIONS: INCHES		TOLERANCES UNLESS OTHERWISE SPECIFIED:		NAME PLUG ASSEMBLY, SHELL SIZE 17, REVERSE SEX, CPC	
		0 PLC	± -	APPLICATION SPEC	
		1 PLC	± -	PRODUCT SPEC	
MATERIAL SEE CALLOUTS		2 PLC	± -	SIZE	
		3 PLC	± -	CAGE CODE	
		4 PLC	± -	DRAWING NO	
		ANGLES	± -	RESTRICTED TO	
		FINISH	-	A300779 C-206044	
		WEIGHT		SCALE 2:1	
		CUSTOMER DRAWING		SHEET 1 OF 1	
				REV G1	