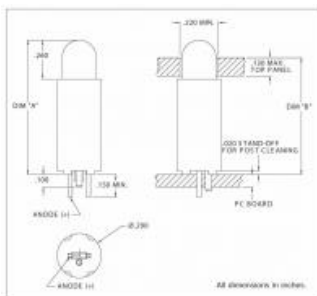


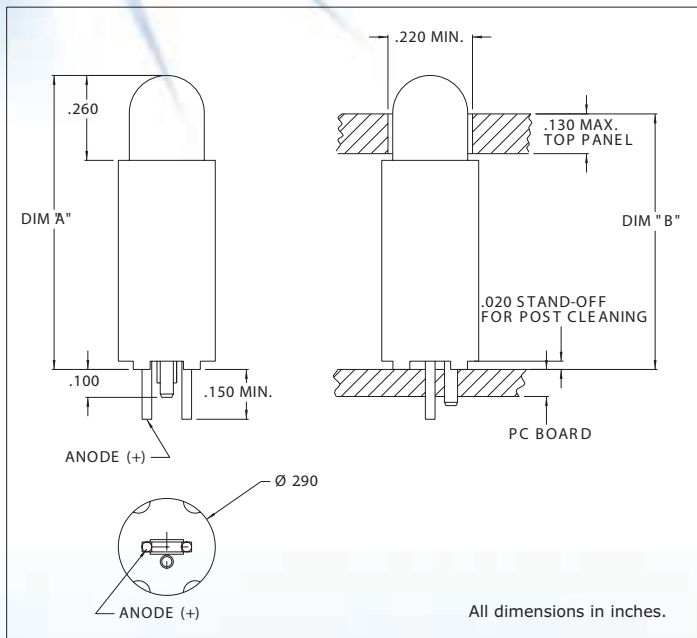
Circuit Board Indicators

CML LED assemblies are available in both right angle and vertical package and utilize the CML IT line of high quality LEDs. Parts range in voltage from 2V to 12V and in current from 2mA to 20mA. The UL94V0 housings ensure proper LED alignment.



Part Number: 5330H1
Serial Number: 5330H
Emitted color: Red
Lens color: Red
Lum in min (mcd): 2.2
Lum in typ (mcd): 6.3
Rated current (mA): 10.0
Cont forward current max: 60.0
Fwd volts type: 2.0
Forward volt max.: 3.0
Reverse breakdown V: 3
Viewing angle (°): 50
Peak wave length (mA): 650
Housing type: UL94V-0
RoHS Status: Yes

5330H Series Variable Height LED T-1 3/4 (5mm) Lamp Assembly
DESCRIPTION AND FEATURES



- Features**
- Block mounting design and spacing-alignment saves assembly cost and time.
 - Super Brite T-1 3/4 diffused LED-wide angle viewing.
 - Press-in mounting pin secures assembly to PC board while being soldered.
 - Standoffs prevent flux entrapment.
- Housing: Black Nylon, UL94V-O

ELECTRO-OPTICAL CHARACTERISTICS AND RATINGS

Part Number	Color	Typ. Intensity (mcd)	Rated Current (mA)	Continuous Forward Current Max. (mA)	Forward Voltage Typ. (V)	Forward Voltage Max. (V)	Peak Forward Current @ 1ms-300pps (A)	Reverse Break-down Voltage Min. (V)	Peak Wavelength (nm)	DIM A (inches)	DIM B (inches)
5330H1	Red	30	20	35	2.0	3.0	1.0	5	635	.870	.750
5330H3	Amber	20	20	35	2.0	3.0	1.0	5	608	.870	.750
5330H5	Green	30	20	30	2.2	3.0	.09	5	562	.870	.750
5330H7	Yellow	25	20	35	2.2	3.0	1.0	5	585	.870	.750
5330H1LC	Red	2.0	2	7	1.8	2.2	.007	5	635	.870	.750
5330H5LC	Green	2.5	2	7	1.8	2.2	.007	5	562	.870	.750
5330H7LC	Yellow	2.0	2	7	1.9	2.7	.007	5	585	.870	.750
5330H1-5V	Red	6.0	10	15	5	7.5	-	5	635	.870	.750
5330H3-5V	Amber	7.0	10	15	5	7.5	-	5	583	.870	.750
5330H5-5V	Green	10.0	10	15	5	7.5	-	5	565	.870	.750
5335H1	Red	30	20	35	2.0	3.0	1.0	5	635	.570	.450
5335H3	Amber	20	20	35	2.0	3.0	1.0	5	603	.570	.450
5335H5	Green	30	20	30	2.2	3.0	.09	5	562	.570	.450
5335H7	Yellow	25	20	35	2.2	3.0	1.0	5	585	.570	.450
5335H1LC	Red	2.0	2	7	1.8	3.3	.007	5	635	.570	.450
5335H1LC	Green	2.5	2	7	1.8	3.3	.007	5	562	.570	.450
5335H1LC	Yellow	2.0	2	7	1.9	3.7	.007	5	585	.570	.450
5335H1-5V	Red	6.0	10	15	5	7.5	-	5	635	.570	.450
5335H3-5V	Amber	7.0	10	15	5	7.5	-	5	583	.570	.450
5335H5-5V	Green	10.0	10	15	5	7.5	-	5	562	.570	.450