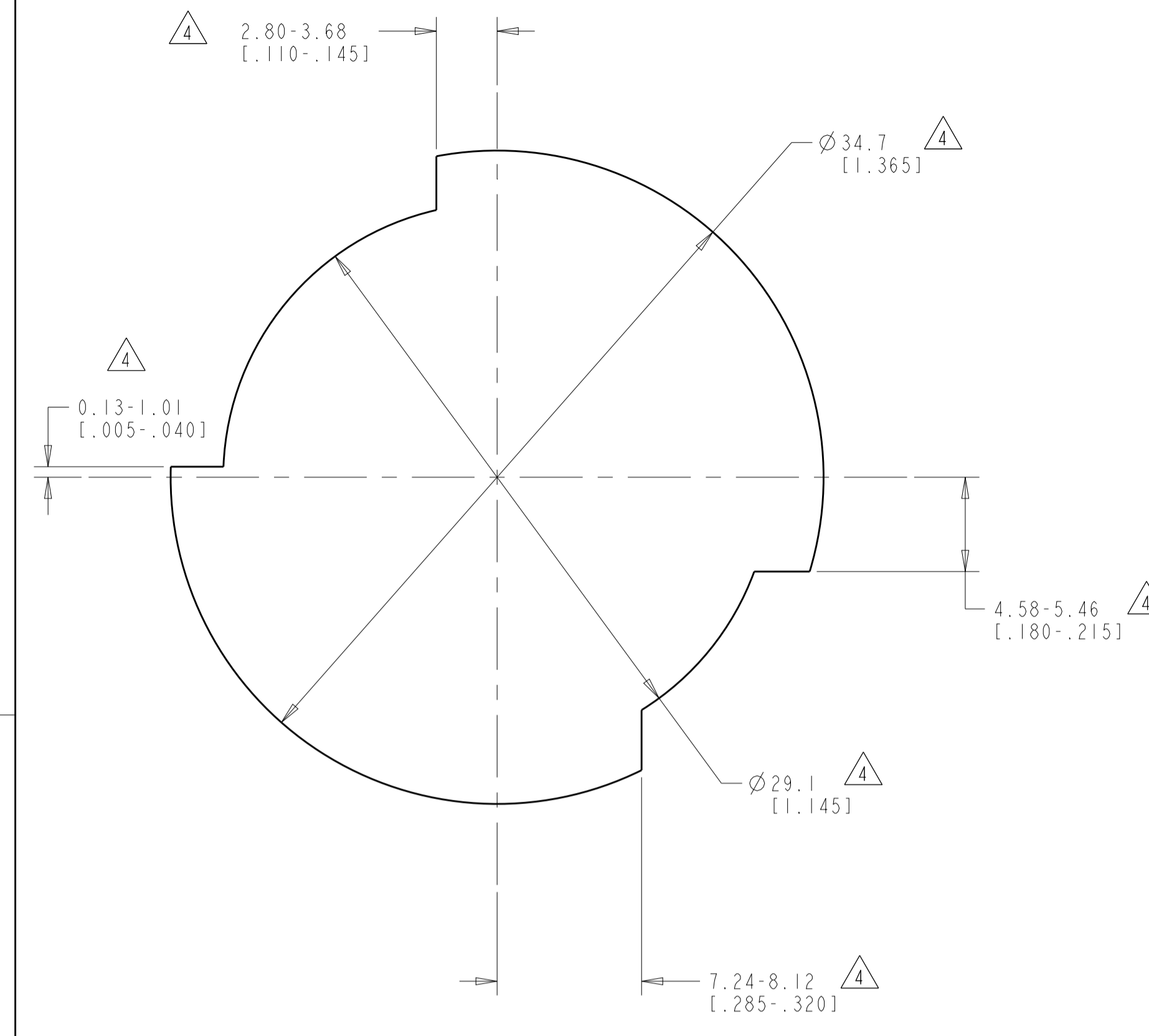
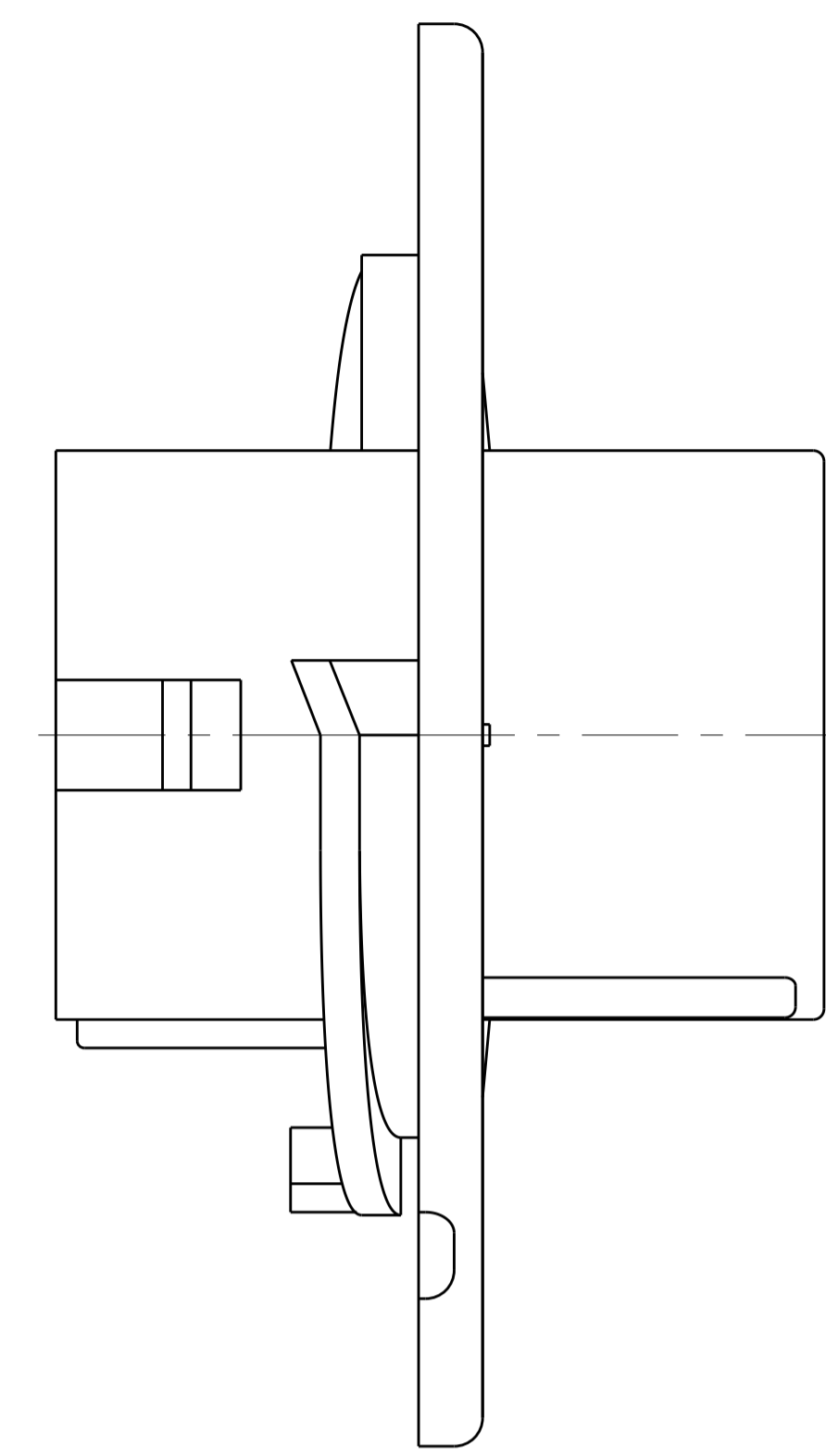


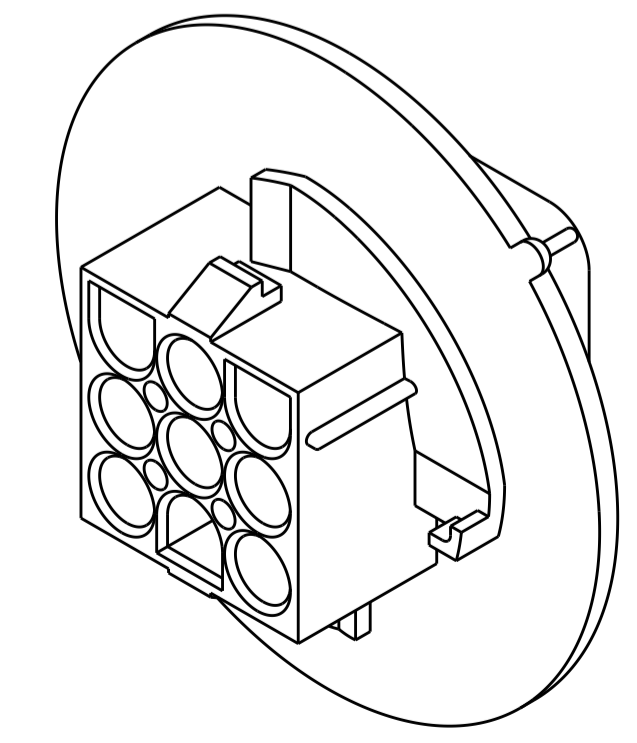
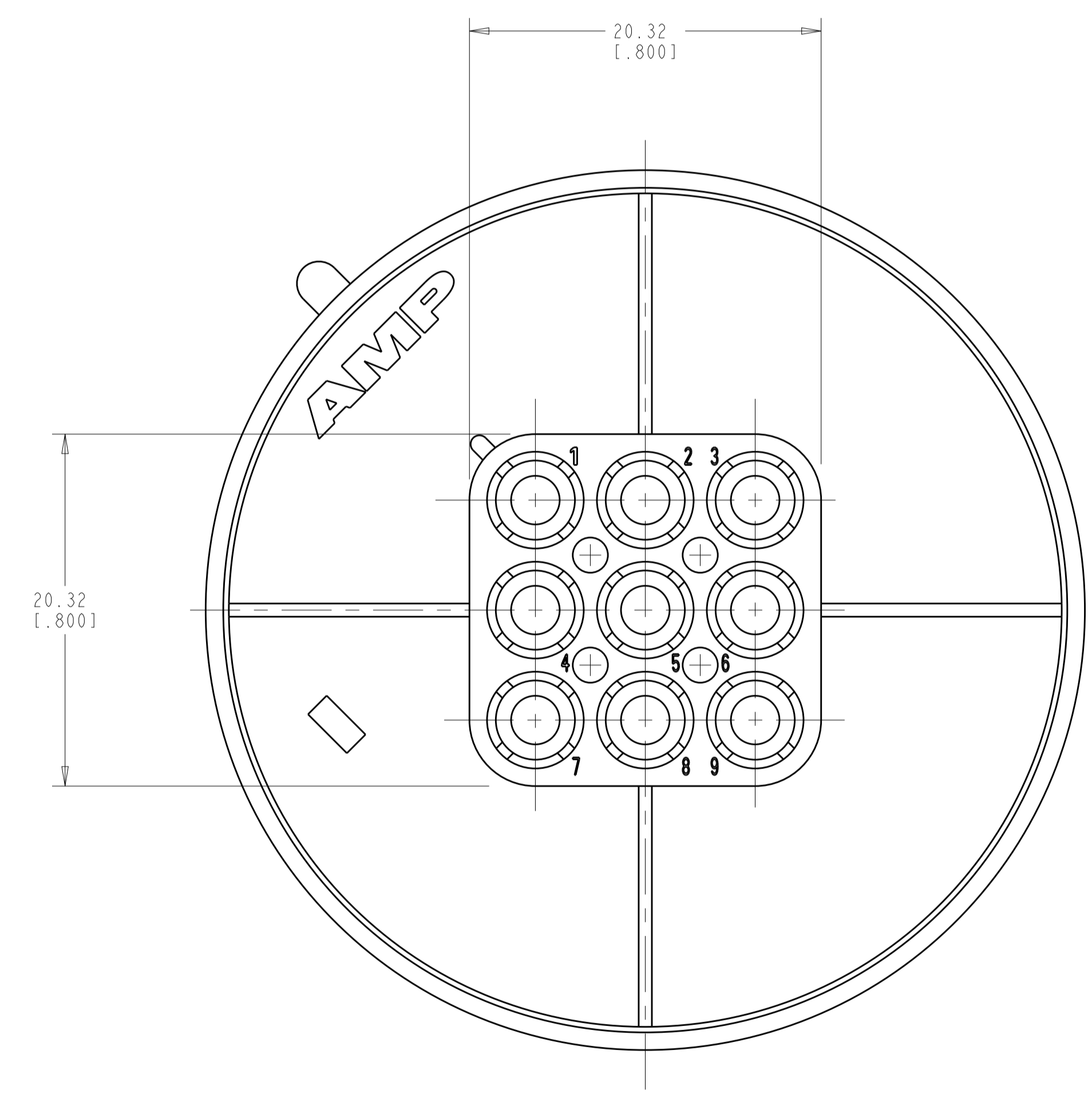
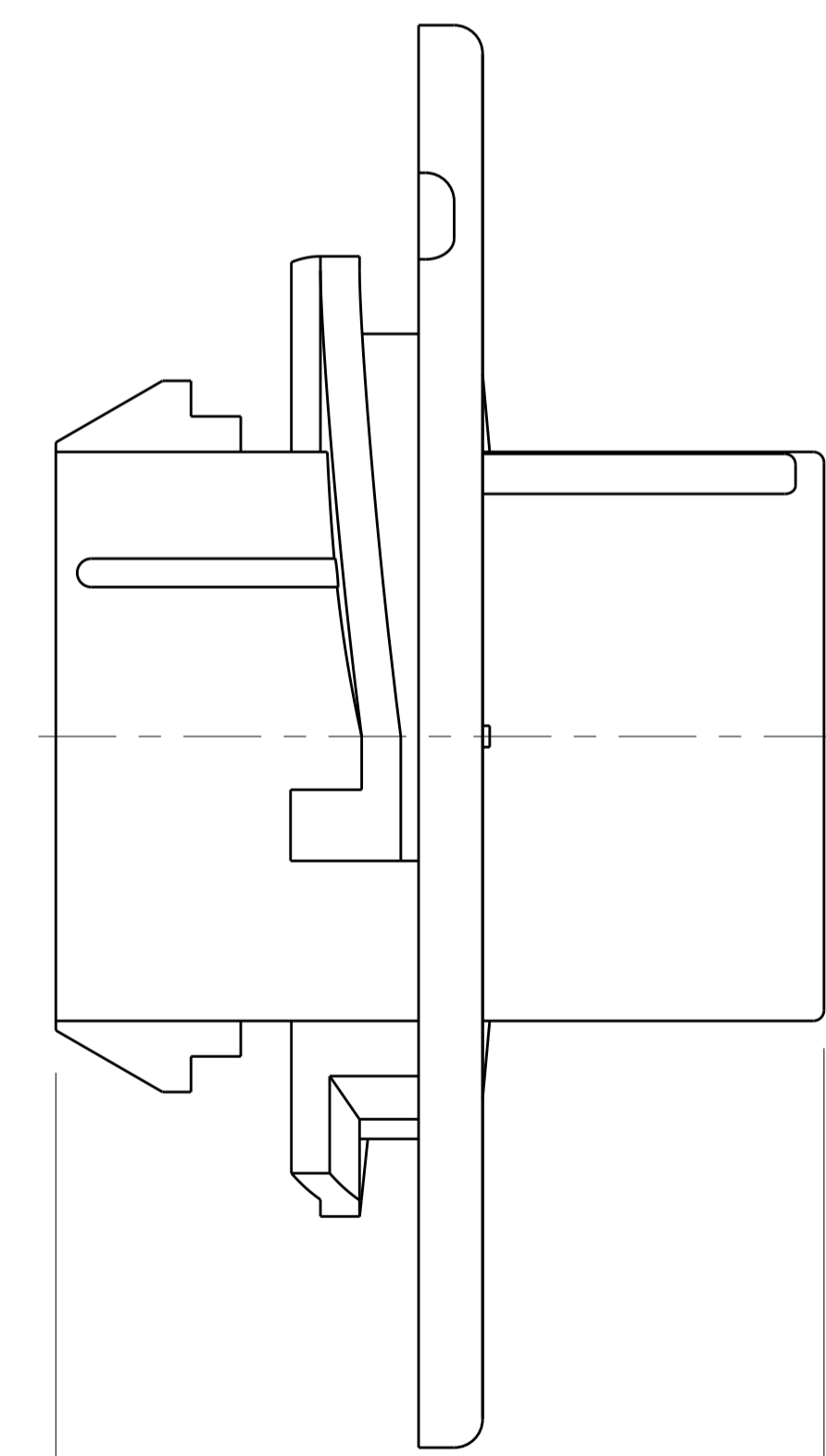
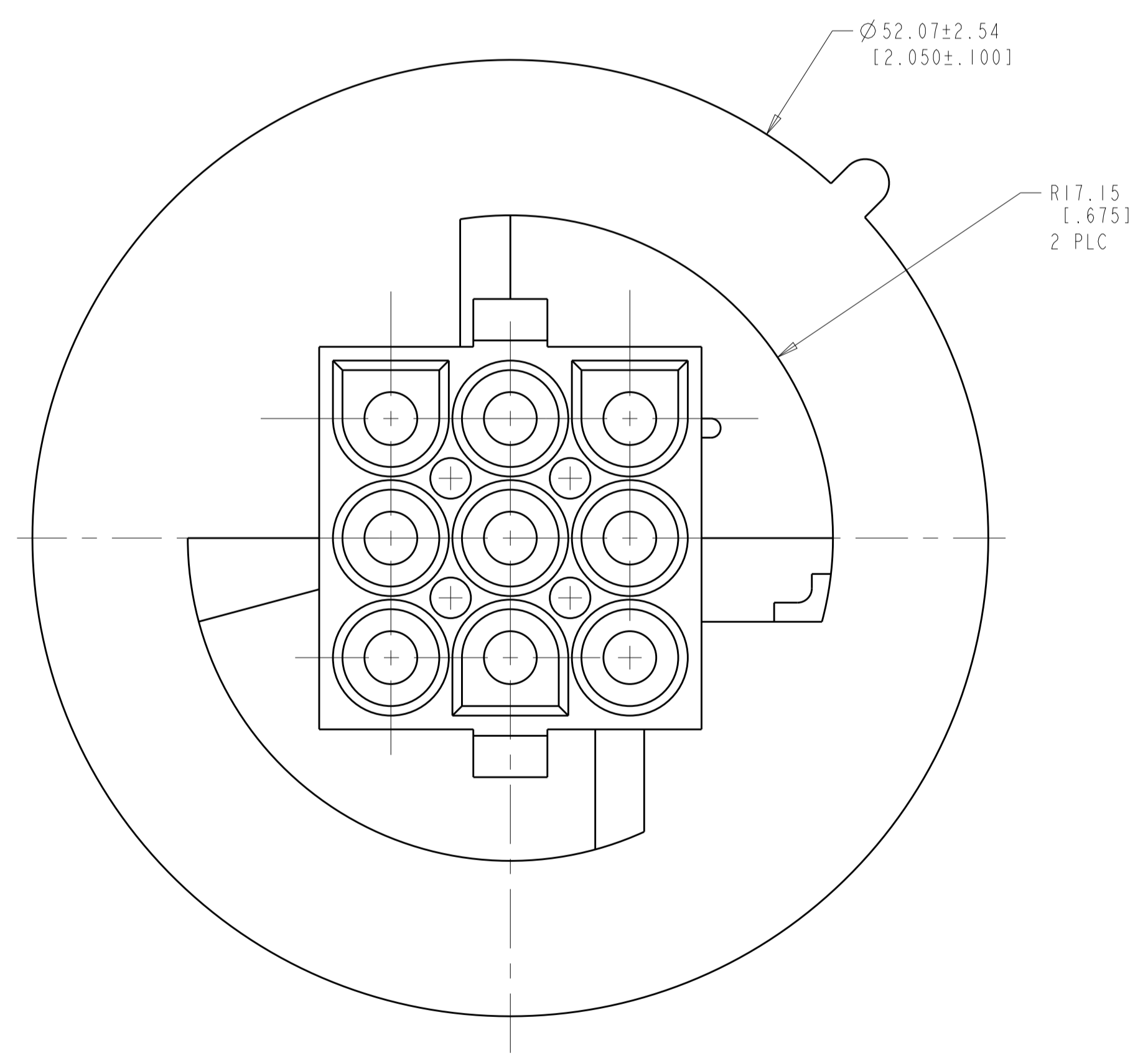
| LOC | | DIST | | REVISIONS | | | |
|-----|----|------|-----|---------------------------|-----------|-----|------|
| CM | 00 | P. | LTN | DESCRIPTION | DATE | DMN | APVD |
| | | E | | REVISED PER ECR-10-022954 | 03MAR2011 | HMR | TM |
| | | E1 | | REVISED PER ECR-14-001377 | 17APR2015 | AV | DZ |



RECOMMENDED CUT OUT

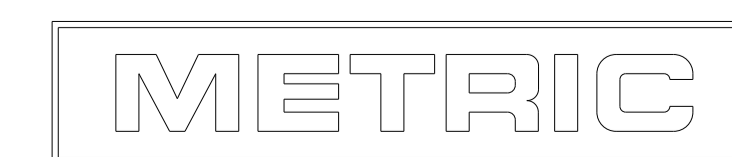


- MATES WITH APPROPRIATE UNIVERSAL MATE-N-LOK™ PLUG.
 - RECOMMENDED PANEL THICKNESS 0.76 - 2.29 [0.030 - .090].
 - PANEL MUST BE PUNCHED SO THAT THE HOUSING ENTERS THE PANEL IN THE SAME DIRECTION AS THE PUNCH.
- △ DIMENSIONS INDICATED ARE REFERENCE. ADDITIONAL GROWTH DUE TO SUBSEQUENT MOISTURE ABSORPTION MAY OCCUR.



3-DIMENSIONAL MODEL
SCALE 2:1

| | |
|---------|-------------|
| BLACK | 1-794761-9 |
| GRAY | 1-794761-8 |
| BLUE | 1-794761-6 |
| GREEN | 1-794761-5 |
| YELLOW | 1-794761-4 |
| ORANGE | 1-794761-3 |
| RED | 1-794761-2 |
| BROWN | 1-794761-1 |
| NATURAL | 794761-1 |
| COLOR | PART NUMBER |



| | | | |
|--|--------------------------|------------------------------------|---|
| THIS DRAWING IS A CONTROLLED DOCUMENT. | | DMN K. WHITAKER 20-JUNE-2000 | NAME CAP. 9 CIRCUIT, UNIVERSAL MATE-N-LOK(TM), SPECIAL |
| DIMENSIONS: mm [INCHES] | | CHK K. COBLE 20-JUNE-2000 | |
| TOLERANCES UNLESS OTHERWISE SPECIFIED: | | APVD K. COBLE 20-JUNE-2000 | SIZE A1 |
| 0 PLC | ± | PRODUCT SPEC | CAGE CODE 00779 |
| 1 PLC | ± | APPLICATION SPEC | DRAWING NO 794761 |
| 2 PLC | ±0.511(.020) | WEIGHT | SHEET 1 OF 1 |
| 3 PLC | ± | FINISH | REV E |
| 4 PLC | ± | ANGLES | SCALE 4:1 |
| 5 PLC | ± | FINISH | |
| 6 PLC | ± | | |
| 7 PLC | ± | | |
| 8 PLC | ± | | |
| 9 PLC | ± | | |
| ANGLES | ±40° 30' | | |
| MATERIAL | NYLON UL 94V-0, WHITE | CUSTOMER DRAWING | |