

Form 486-070924

Description

Part Number	Description
OAC5Q	4-Channel AC Output 12–280 VAC, 5 VDC Logic

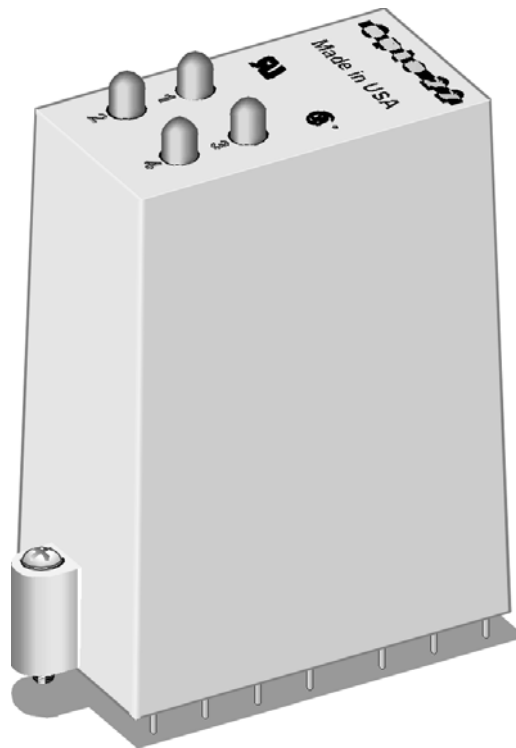
Quad Pak modules contain the equivalent of four, single channel I/O circuits in a single high-density package. Each Quad Pak module can be divided into two pairs with each pair sharing a common connection. The Quad Pak modules are designed to plug into the Quad Pak high-density I/O mounting racks only and cannot be plugged into single channel racks. Quad Pak modules are designed to work with a 5 VDC logic voltage only and can be used with Optomux, Pamux, and Mystic protocol brain boards and mounting racks as well as racks using a direct cable connection to a computer.

AC output modules are used for controlling or switching AC loads. Each module provides up to 4,000 V_{rms} of optical isolation between the field devices and the control logic. The Quad Pak AC output module features zero voltage turn-on and zero current turn-off.

Typical uses and applications for AC output modules include switching the following loads:

Relays

- Solenoids and Contactors
- Motor Starters
- Heaters
- Lamps or Indicators



DATA SHEET

Form 486-070924

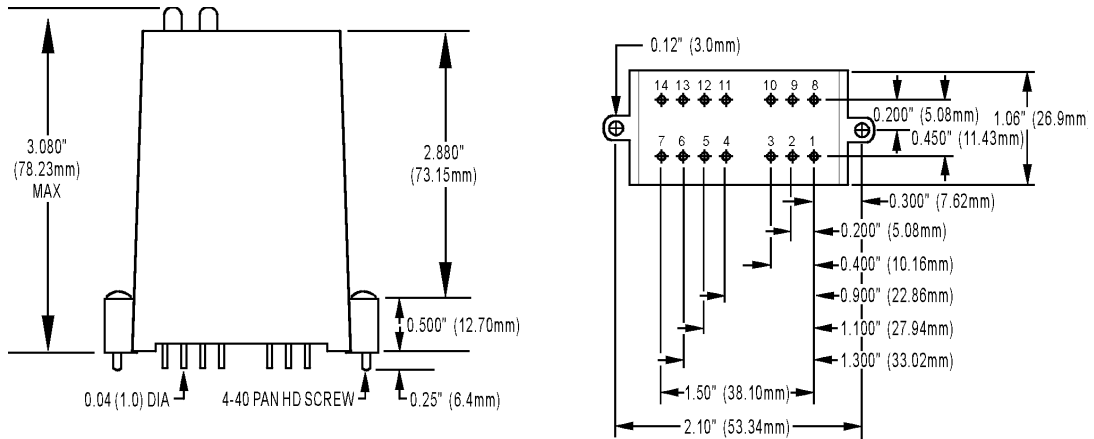
Specifications

Line Voltage–Nominal	120/240 VAC
Operating Voltage Range	12–280 VAC
Current Rating (each channel) @ 20° C Ambient @ 45° C Ambient	3 amps 2 amps
One Cycle Surge	80 amps
Logic Voltage–Nominal	5 VDC
Logic Voltage Range (Vcc)	4–8 VDC
Logic Pickup Voltage	4.0 VDC
Logic Dropout Voltage	2.3 VDC
Logic Input Current @ Nominal Logic Voltage (I _{out} in Schematic Diagram)	12 mA
Control Resistance (R _c in Schematic Diagram)	220 ohms

Peak Repetitive Voltage	500 volts
Operating Ambient Temperature	-30° to 70° C
Isolation Input-to-Output	4,000 Vrms
Minimum Load Current	20 milliamps
Operating Frequency	25–65 Hz
Turn-on Time	1/2 cycle maximum-zero voltage
Turn-off Time	1/2 cycle maximum-zero current
DV/DT-Off-state	snubbed for rated 0.5 power factor load
Output Voltage Drop Maximum Peak	1.6 volts
Off-state Leakage @ Nominal Voltage-60Hz	5 milliamps, ms

Form 486-070924

Dimensions



Schematics

