

# Safety isolating transformer **ACT 100**



Picture shows ACT 100

## Advantages

Integrated short circuit and overload protection thanks to temperature fuse in the input and fuse in the output (ACT 10 only temperature fuse)

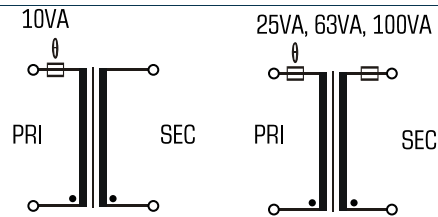
Permanent corrosion protection, high insulation value and maximum electrical reliability thanks to XtraDenseFill resin encapsulation

Stable plastic housing for rail mounting, e.g. in consumer units or meter mounting boards

## Applications

Safety isolating transformer for the safe electrical isolation of the input and output sides. The transformer is suitable for creating SELV and PELV circuits because of the limit on the output voltage.

## Sample application



## Standards



Safety isolating transformer  
to: VDE 0570 Part 2-6, DIN EN 61558-2-6, EN 61558-2-6, IEC 61558-2-6

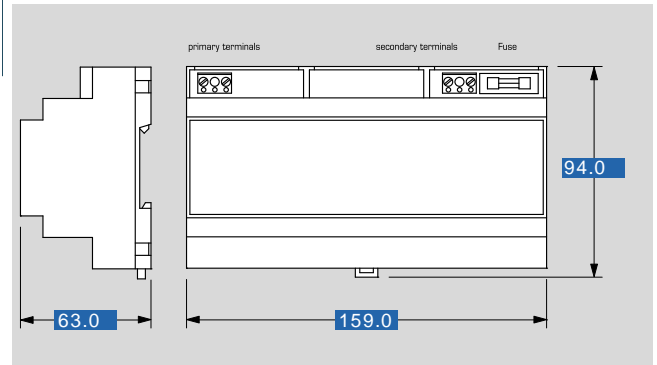
## Approvals



# Safety isolating transformer ACT 100

Electrical data	
<b>Type</b>	
Input	
Rated input voltage	230 Vac
Rated frequency	50 - 60 Hz
Output	
Rated output voltage	24 Vac
Rated Power	100 VA
Environment	
Ambient temperature max.	25 °C
Cooling method	self-cooling
Safety and protection	
Type	Resin encapsulated transformer
Class of Insulation System	B
Protection index	IP 00
Safety class (prepared)	II
Short circuit strength	non-inherently short-circuit proof
Test voltage	3750 Vac, 50 Hz
Order numbers	
<b>Order Number</b>	<b>ACT 100</b>

Mechanical data	
<b>Type</b>	
Terminal and mounting	
Fixing method	Panel installation on mounting rails
Terminals	Screw-type terminal
Measures and weights	
Weight	1.93 kg
Dimensions W x H x D	94 x 63 x 159 mm



Subjects to change.