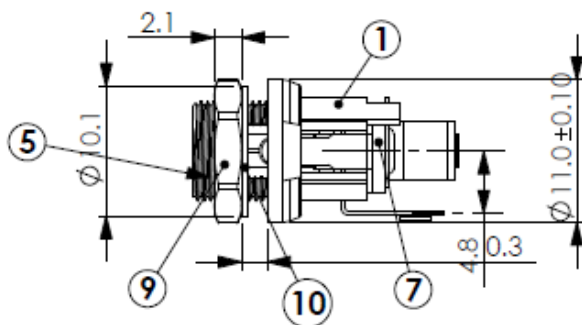
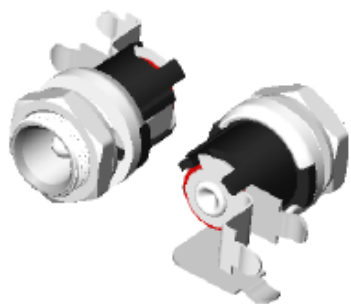
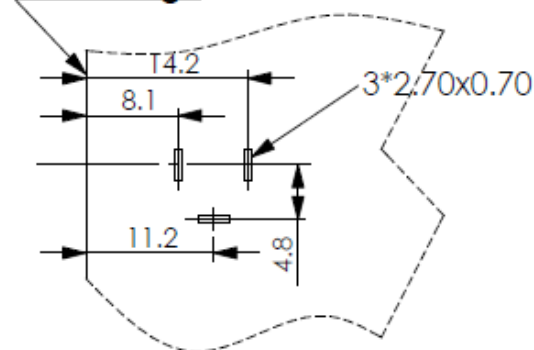


Data sheet

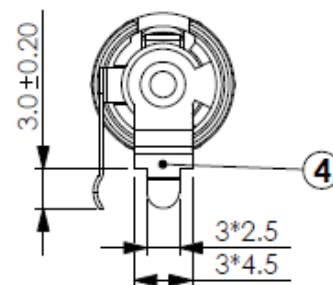
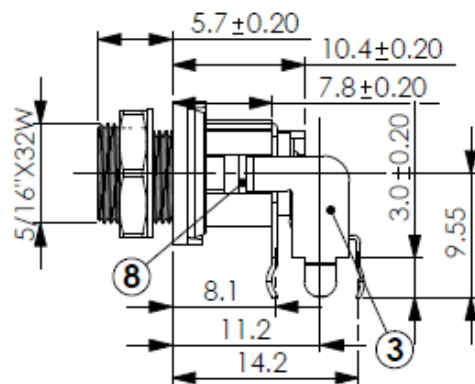
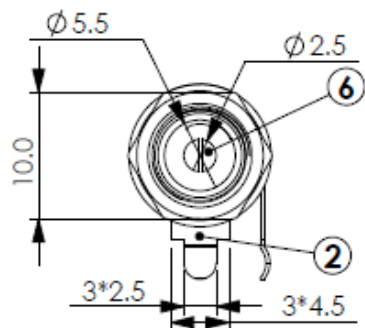
DC Power Socket



board edge



PCB LAYOUT DIMENTIONS





No.	Description	Material
1	Housing	PBT
2	Sleeve Spring	Phosphor Bronze
3	Break Terminal	Brass
4	Pin Terminal	Brass
5	Bushing	Brass
6	Pin	Copper
7	Insulator A	Vulcanited Fibre
8	Insulator B	Vulcanited Fibre
9	Screw Nut	Brass
10	Washer	Brass

Specifications:

- Rating: 5A 12V AC max.
- Contact Resistance: 20m Ω max.
- Insulation Resistance: min. 1000m Ω @ 500V AC
- Voltage Withstand: 500V AC R.M.S for 1minute