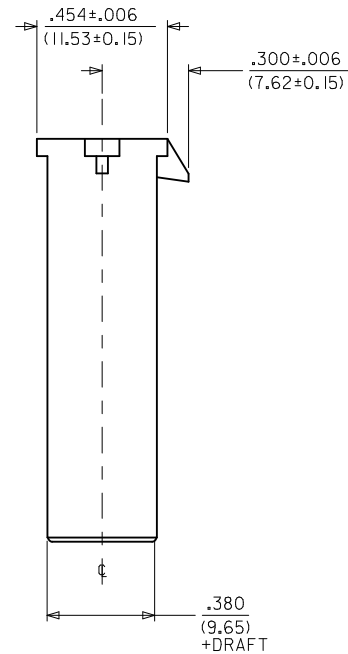
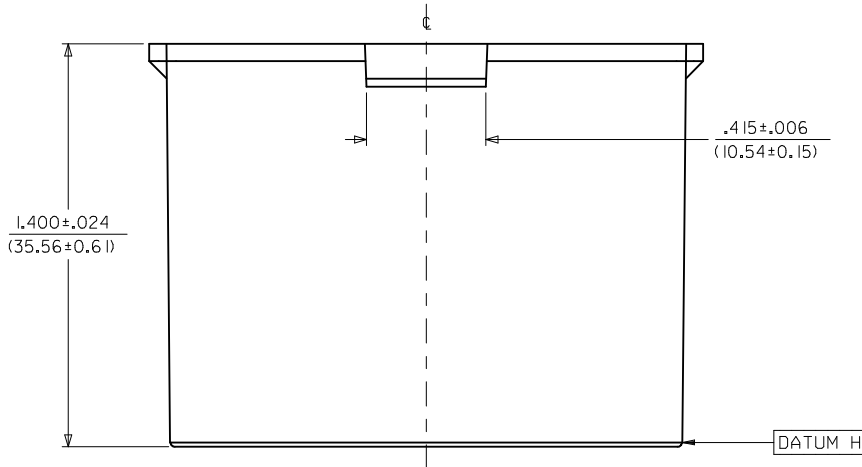
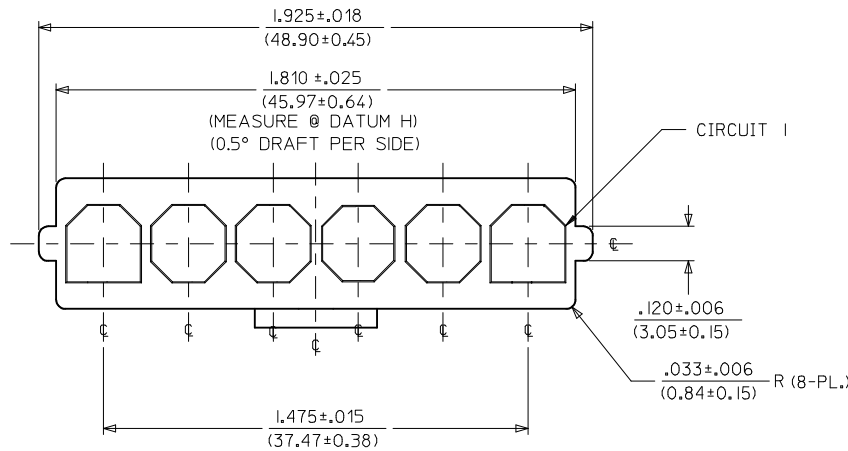


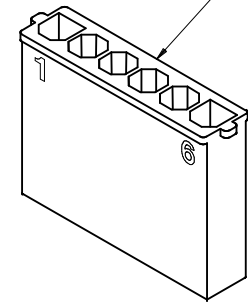
ITEM NUMBER	MATERIAL	COLOR
43680-2006	UL94V-0 NYLON	BLACK
43680-1006	UL94V-2 NYLON	NATURAL (TRANSLUCENT)

NOTE:

1. MATERIAL: SEE CHART.
2. FINISH: NONE.
3. PRODUCT SPECIFICATION: PSX-44441-9999.
4. PACKAGING: PK-43680-001.
5. THIS CONNECTOR HOUSING FOR USE WITH 43178-\*\*\*\* TERMINALS.
6. THIS CONNECTOR HOUSING WILL MATE TO 43335-\*\*\*6, 43179-\*\*\*6 AND 44441-\*\*\*6 HOUSINGS.
7. PARTS CONFORM TO CLASS B REQUIREMENTS OF COSMETIC SPEC PS-45499-002.



LOCKING NUB IS LOCATED HERE



43680-\*006  
(NO SCALE)

ADD DATUM H/ REV. TOL. EC NO: UCP2013-4295 DRWN: AELHAG 2013/04/06 CHKD: JBEL 2013/04/06 APPR: FSMITH 2013/04/16	QUALITY SYMBOLS ▽=0 ▽=0	GENERAL TOLERANCES (UNLESS SPECIFIED)		DIMENSION STYLE <b>IN/MM</b>	SCALE <b>4:1</b>	DESIGN UNITS <b>INCH</b>	THIRD ANGLE PROJECTION		
		4 PLACES ± --- ± --- 3 PLACES ± --- ± .010 2 PLACES ± 0.25 ± .014 1 PLACE ± 0.35 ± ---	mm INCH	DRAWN BY CM	DATE 03/22/96	TITLE <b>6-CIR. PLUG HOUSING</b> <b>.125/(3.18)X.020/(0.51)</b> <b>SABRE - TPA</b>			
		ANGULAR ± 1/2°		CHECKED BY KBP	DATE 03/22/96	MOLEX INCORPORATED			
		DRAFT WHERE APPLICABLE MUST REMAIN WITHIN DIMENSIONS		APPROVED BY RAS	DATE 03/22/96	MATERIAL NO. <b>SEE CHART</b>	DOCUMENT NO. <b>SD-43680-*006</b>	SHEET NO. <b>1 OF 1</b>	
D1	REV	THIS DRAWING CONTAINS INFORMATION THAT IS PROPRIETARY TO MOLEX INCORPORATED AND SHOULD NOT BE USED WITHOUT WRITTEN PERMISSION							