

Item # 711-0150 115VAC/60Hz, 2.28 inch Dia., Flush mount, screw termination



115VAC/60Hz, 2.28 inch Dia., Flush mount, screw termination

These 7 figures, AC hour meters with running indicators, offer crisp, distinctive styling for many panel applications. Available in square and round bezel, flush mount or three-hole round panel mount. Each is light-weight, low power, and carry UL, CSA and CE approvals.

Specifications

Model No.	711
Mounting	Panel (mounting hardware included)- Flush Mount
Reset	Non-reset
Termination	1/4 inch (6.3mm) spade terminals with removable screws.
Display	7 figures, 0.14 inch high (3.6mm), 99999.99 hours
Display Height	0.14 Inch
Display Height	3.6 mm
No. of Digits	7
Records	99999.99 hours
Input Voltage	115 VAC 60 Hz \pm 10%
Power	3 watts
Operating Temperature	-22 to +158 °F
Operating Temperature	-30 to +70 °C
Weight	2 oz
Weight	57 gm
Panel Cutout	1.81 Sq. Inch 1.99 Dia. Inch
Panel Cutout	46 Sq. mm 50 Dia. mm
Approvals	UL Recognized and CSA Certified. CE Approved
Stock Availability	Yes



Description

These 7 figure, AC or DC hour meters with running indicators, offer crisp, distinctive styling for many panel applications. Available in square and round bezel, flush mount, or three-hole round panel mount. Each is light-weight, low power, and carry UL, CSA and CE approvals.

Features

- 7 figure, 99999.99
- Various voltage inputs
- Distinctive styling

Options

- Terminations
- Din rail
- Voltages

Specifications

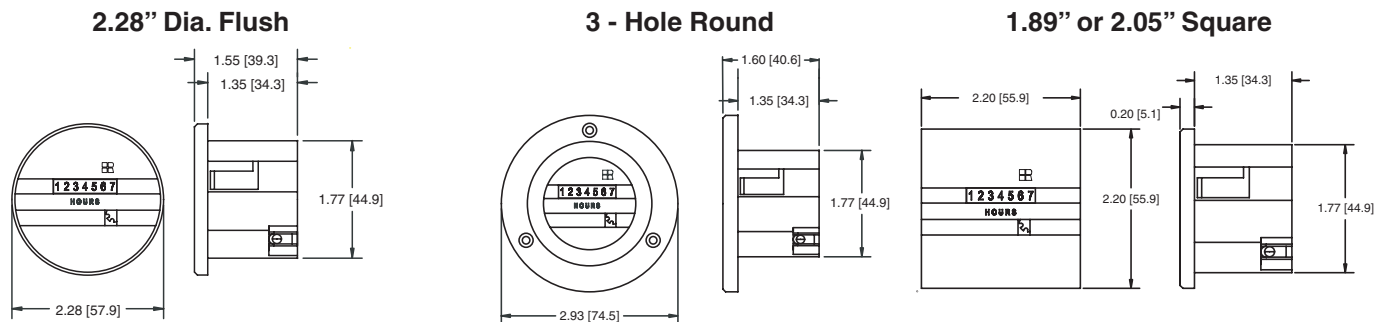
Figures: 7 figures, 0.14" high [3.6mm], 99,999.99 hours
Reset: Non-reset
Voltages: 24, 115, or 230VAC (+/-10%), 50 or 60Hz., 10-80 VDC
Power: 3 watts (AC), 1.2 watt maximum (DC)
Terminations: 1/4" [6.3mm] spade terminals, with removable screws, or 8" [203mm] wire leads

Mounting: Panel (mounting hardware included)
Front Panel: IP65
Temp. Range: -22°F to +158°F [-30°C to +70°C]
Approvals: UL Recognized and CSA Certified (AC only), CE Compliant
Weight: 1.6 oz. [46g]

Models	Description	Models	Description
711-0150	115VAC/60Hz, 2.28" Dia., Flush mount, screw termination	711-0182	24VAC/60Hz, 1.89" Sq., Flush mount, screw termination
711-0152	230VAC/60Hz, 2.28" Dia., Flush mount, screw termination	711-0190	115VAC/60Hz, 2.05" Sq., Flush mount, screw termination
711-0160	115VAC/60Hz, 2.93" Dia., 3-hole round, screw termination	711-0192	24VAC/60Hz, 2.05" Sq., Flush mount, screw termination
711-0162	230VAC/60Hz, 2.93" Dia., 3-hole round, screw termination	711-0193	115VAC/50Hz, 2.05" Sq., Flush mount, screw termination
711-0163	230VAC/50Hz, 2.93" Dia., 3-hole round, screw termination	711-0195	24VAC/50Hz, 2.05" Sq., Flush mount, screw termination
711-0164	24VAC/60Hz, 2.93" Dia., 3-hole round, screw termination		
711-0171	115VAC/60Hz, 2.93" Dia., 3-hole round, 8" wire leads	731-0046	10-80VDC, 2.93" Dia., 3-hole round, screw termination
711-0180	115VAC/60Hz, 1.89" Sq., Flush mount, screw termination		

* Items in bold are normally in factory stock.

Dimensions



Panel cutout: 1.99" [50] Dia. or 1.81" [46]

Panel cutout: 1.99" [50] Dia. or 1.81" [46] Sq.
Screws provided: 4-40 x 5/8" [16]
Bolt hole circle: 2.44" [62]

Panel cutout: 1.99" [50] Dia. or 1.81" [46] Sq.
(for 1.89" Sq. use 1.81" [46] Sq. cutout only)

Applications

Medical equipment



Test equipment



Office equipment

