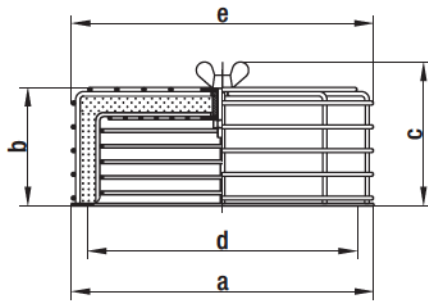


# Air filter



- **Material:** Steel wire / sheet steel, plastic coated in RAL no. 9005, black
- **Filter:** Viledon filter type R: PSB / 29 OS (according to DIN 24185)  
Separation capacity: < 86 %  
Efficiency: < 20 %  
Dust binding capacity: 650 g/m<sup>2</sup>

## Air filters for centrifugal blowers (with die-cast aluminium housing)

| Part no.     | Size            | a     | b    | c    | d       | e     | Spare filter |
|--------------|-----------------|-------|------|------|---------|-------|--------------|
| 95777-1-5171 | 108 / 120       | 142.0 | 66.0 | 83.0 | 118-132 | 145.0 | 95779-1-5171 |
| 95778-1-5171 | 140 / 146 / 160 | 185.0 | 74.0 | 91.0 | 158-175 | 185.0 | 95780-1-5171 |
| 95347-1-5171 | 180             | 210.0 | 74.0 | 91.0 | 194.0   | 185.0 | 95780-1-5171 |

subject to alterations