



## MRT6S-C4

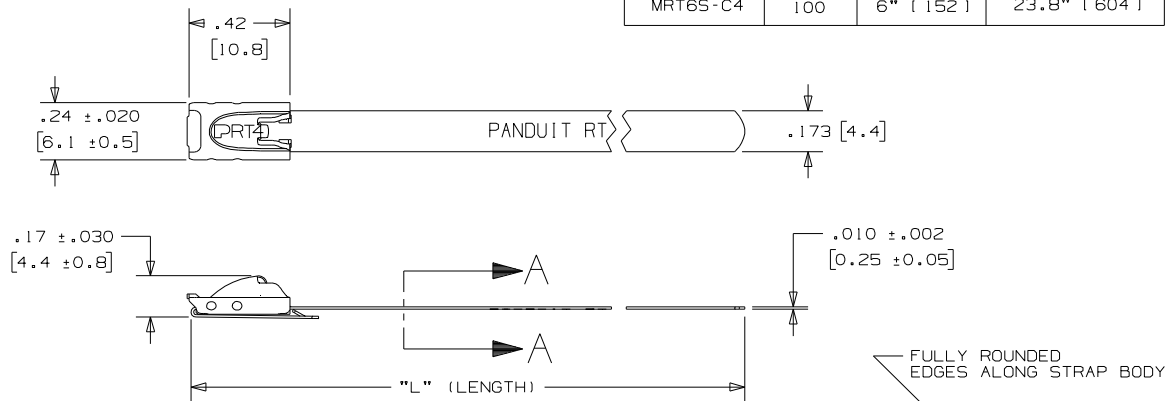


- Provide tight bundling of armored cables, pipes, conduit and other rigid materials in harsh conditions for a reliable, easy to install fastening solution
- Self-locking cable tie design locks into place at any length along the tie body, unlike fixed diameter band clamps
- Smooth surfaces and rounded edges assures cable protection and worker safety
- Available in AISI 304 stainless steel for general-purpose applications
- Available in AISI 316 stainless steel for the most corrosive environments

▪ Part Number	MRT6S-C4
▪ RoHS Compliancy Status	Compliant
▪ Part Description	Retained tension, stainless steel cable tie, standard, 6.0" (152mm) max. bundle diameter.
▪ Product Type	Cable Ties
▪ Material	Stainless Steel Type 304
▪ Length (In.)	23.8
▪ Length (mm)	604
▪ Width (In.)	.18
▪ Width (mm)	4.4
▪ Cross Section	Standard
▪ Max. Bundle Diameter (In.)	6.0
▪ Max. Bundle Diameter (mm)	152
▪ Min. Bundle Diameter (In.)	.75
▪ Min. Bundle Diameter (mm)	19.1
▪ Min. Loop Tensile Strength (Lbs.)	180
▪ Min. Loop Tensile Strength (N)	800
▪ Pricing Description	Retained Tension Tie, 304 SS, Standard, 23.8" (604mm), .010" (.25mm) thk
▪ Thickness (In.)	.010
▪ Thickness (mm)	.25
▪ Tool	MTRTLS
▪ Min. Order UOM	PC
▪ Min. Order Qty.	100
▪ BOM Qty. (# of Pkgs.)	

THIS COPY IS PROVIDED ON A RESTRICTED BASIS AND IS NOT TO BE USED IN ANY WAY DETRIMENTAL TO THE INTERESTS OF PANDUIT CORP.


PANDUIT PART NO.	PACKAGE QTY.	MAX. BUNDLE DIAMETER	LENGTH "L" ±.3" [7]
MRT1S-C4	100	1" [25]	8.1" [205]
MRT2S-C4	100	2" [51]	11.3" [287]
MRT4S-C4	100	4" [102]	17.6" [447]
MRT6S-C4	100	6" [152]	23.8" [604]



NOTES:

- 1.) APPLICATION TOOLS - MTRTLS
- 2.) MINIMUM LOOP TENSILE STRENGTH - 180 lbs. (800 NEWTONS) WHEN TESTED ON A 1.5" MANDREL.
- 3.) [ ] DENOTES DIMENSION IN MILLIMETERS
- 4.) TOLERANCES:  
 .XXX = ±.010 [.25]  
 .XX = ±.02 [.5]  
 .X = ±.03 [.8]  
 ANGLES = ±2°
- 5.) MATERIAL: 304 STAINLESS STEEL

S41243\_03

03	7/07	JMMR	EJD	UPDATED APPLICATION TOOLS FROM MTRT1 & PRT1	-----	 T <sup>M</sup> <b>PANDUIT</b> TINLEY PARK, ILLINOIS
02	3/07	JAMB	EJD	CHANGED ALL PART NO. PACKAGE CODE FROM "L" TO "C" AND QTY FROM 50 TO 100	SS00340	
01	1/07	JAMB	EJD	REMOVED PART NO'S. MRT8S-L4 FROM TABLE	SS00317	
00	11/06	JAMB	EJD	DRAWING RELEASED	SS00266	
REV	DATE	BY	CHK	DESCRIPTION	ECN #	
						METAL TIE RETAINED TENSION - STANDARD SERIES 304 STAINLESS STEEL
					DRAWN BY	JAMB
					CHK'D	EJD
					SCALE	2:1
					DRAWING NO.	S41243