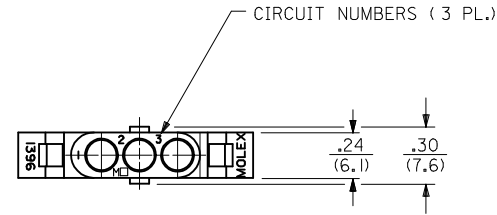
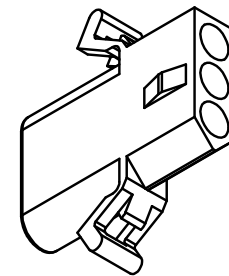
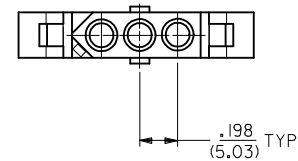
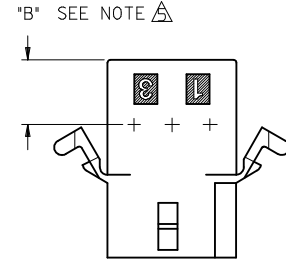
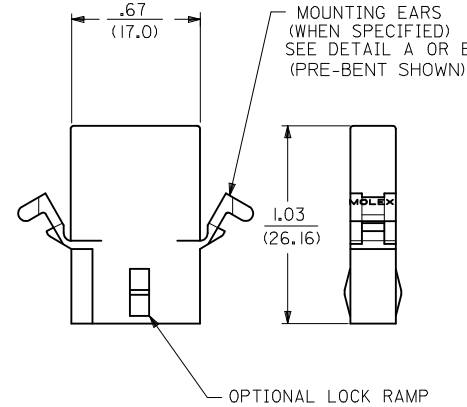


PLUG

1396-P SHOWN ABOVE (WITH STANDARD MOUNTING EAR)

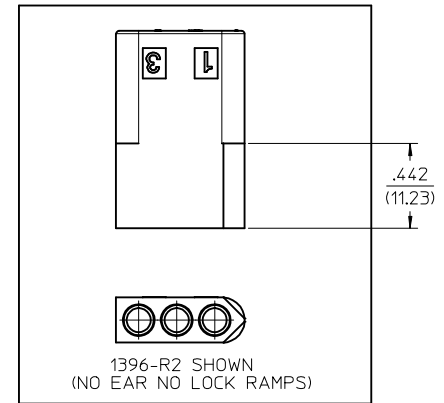


ALTERNATE END CONFIGURATION
SEE NOTE A



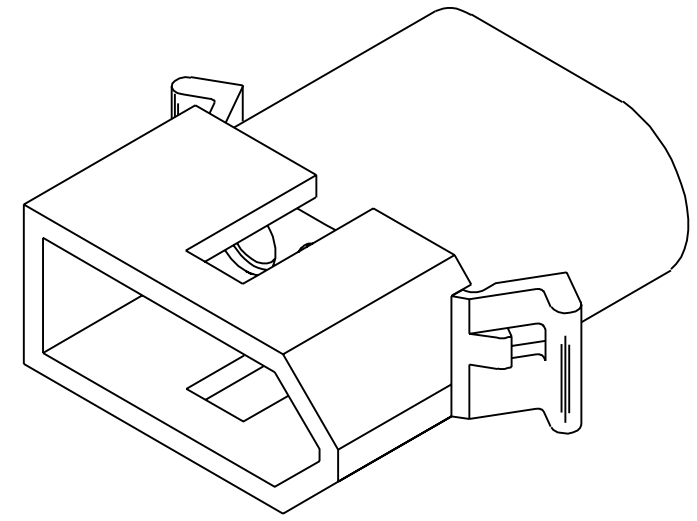
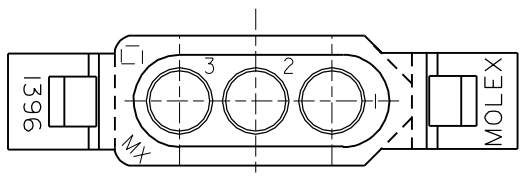
RECEPTACLE

1396-R4 SHOWN (WITH PRE-BENT EAR)



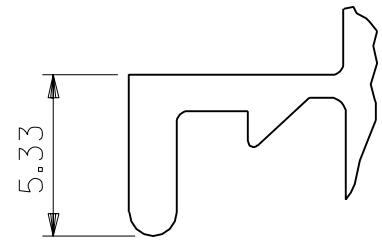
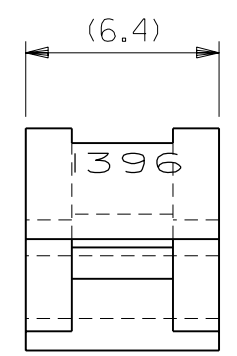
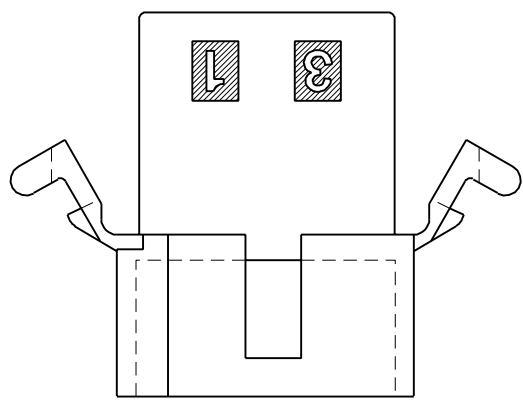
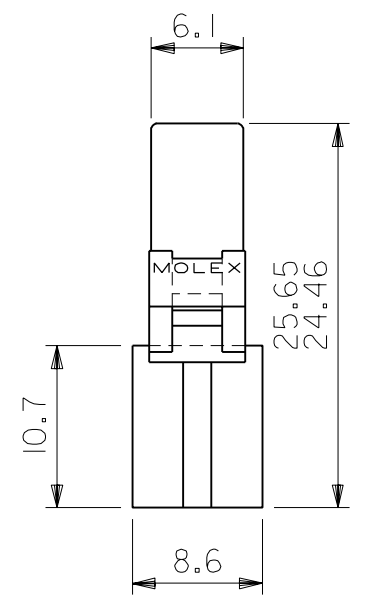
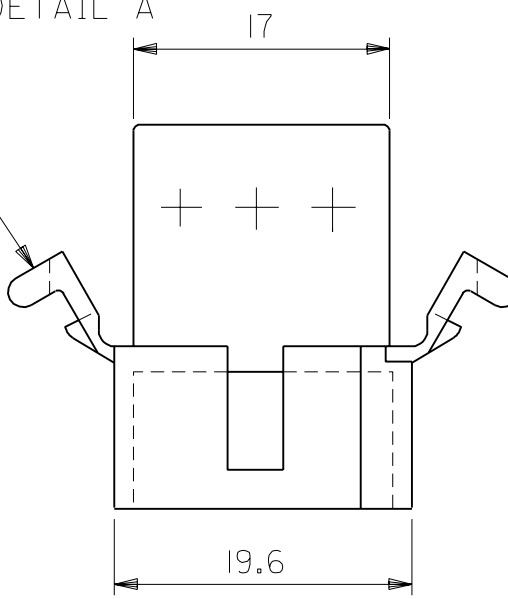
ADD PK-1396-002 EC NO: UCP2016-2183 DRWN:KIPPER 2015/12/09 CHKD:JBELL 2015/12/09 APPR:FSMITH 2015/12/23	QUALITY SYMBOLS ▽=0 ▽=0 ▽=0	GENERAL TOLERANCES (UNLESS SPECIFIED)		DIMENSION STYLE IN/MM	SCALE 2:1	DESIGN UNITS INCH	THIRD ANGLE PROJECTION	
		4 PLACES ± --- ± ---	3 PLACES ± --- ± .010	DRAWN BY JJS	DATE 1988/04/08	TITLE .093/(2.36) HOUSING PLUG AND RECEPTACLE 3 CIRCUIT .198 CENTERS		
		2 PLACES ± 0.25 ± .014	1 PLACE ± 0.35 ± ---	CHECKED BY RW	DATE 1988/04/08	molex		
		0 PLACE ± --- ± ---	ANGULAR ±1/2°		APPROVED BY FSMITH	DATE 2014/06/23	DOCUMENT NO. SD-1396-*	SHEET NO. 1 OF 2
Z3	DESCRIPTION	DRAFT WHERE APPLICABLE MUST REMAIN WITHIN DIMENSIONS		MATERIAL NO. SEE CHART	THIS DRAWING CONTAINS INFORMATION THAT IS PROPRIETARY TO MOLEX INCORPORATED AND SHOULD NOT BE USED WITHOUT WRITTEN PERMISSION			

DWG. NO.
SD-1396-002

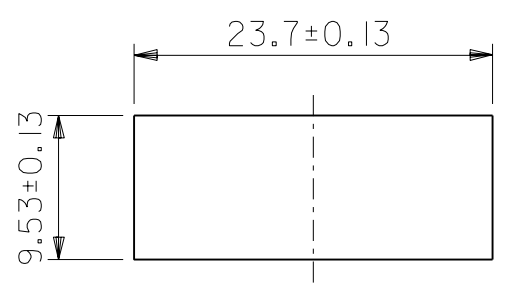
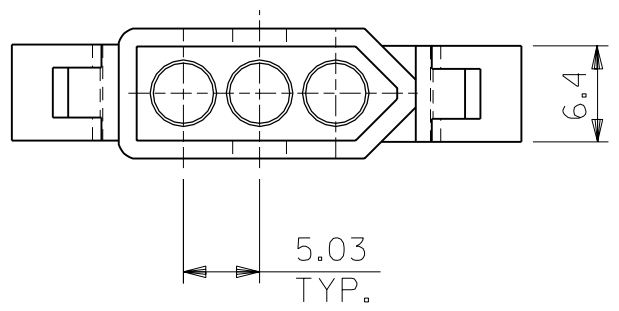


PLUG

MT'G EARS (表参照)
参照 DETAIL A



DETAIL A
(SCALE 4:1)



パネル取付穴寸法
(パネル厚 2.29最大)

1396P1	03-09-2032	無	WITHOUT
1396P	03-09-2031	有	WITH
ENG. NO.	EDP NO.	MT'G EARS	

DO NOT SCALE DRAWING

EC NO.	EC NO.	EC NO.	EC NO.
DRWN:	DRWN:	DRWN:	DRWN:
CHK:	CHK:	CHK:	CHK:
APPR:	APPR:	APPR:	APPR:

RELEASED
EC NO. JC2001-0078
DRWN: K.KOHAMA '00/08/28
CHK: T.YAMAGUCHI
APPR: M.FUKUSHIMA

MATERIAL 材料	NYLON66 94V-2
FINISH 仕上り	
WIRE RANGE 適用電線範囲	
INS. RANGE 被覆外径	

GENERAL TOLERANCES: (UNLESS SPECIFIED) 一般公差	SCALE 2 : 1
10 UNDER 未満	DESIGN UNITS <input checked="" type="checkbox"/> mm <input type="checkbox"/> INCH
10 OVER 30 UNDER 以上 未満	THIRD ANGLE PROJECTION
30 OVER 以上	±0.25 ±0.2
ANGLE 角度	±3°

MODEL NO.	03-09-2***	DIMENSIONS:	SHT	REV
SCALE	2 : 1	<input type="checkbox"/> mm <input type="checkbox"/> INCH <input checked="" type="checkbox"/> mm ONLY		
DRAWN BY & DATE	K.KOHAMA '00/08/28	TITLE:	3 CIRCUITS PLUG HSG (0.093 DIA TERMINAL)	
CHECKED BY & DATE	T.YAMAGUCHI '00/08/28	MOLEX INCORPORATED		
APPROVED BY & DATE	M.FUKUSHIMA '00/08/28	MATERIAL NO.	DRAWING NO.	SHEET NO.
CAD FILENAME	1396002.S01	SEE NOTES	SD-1396-002	1 OF 1
THIS DRAWING CONTAINS INFORMATION THAT IS PROPRIETARY TO MOLEX INCORPORATED AND SHOULD NOT BE USED WITHOUT WRITTEN PERMISSION.				SIZE B