

PATLITE

■ LCE-U / 40mm



TYPE 4/4X/13

Indoor, Direct-Mount Only



The LCE-U Series is a silver-color body LED towers that is versatile and attractive.

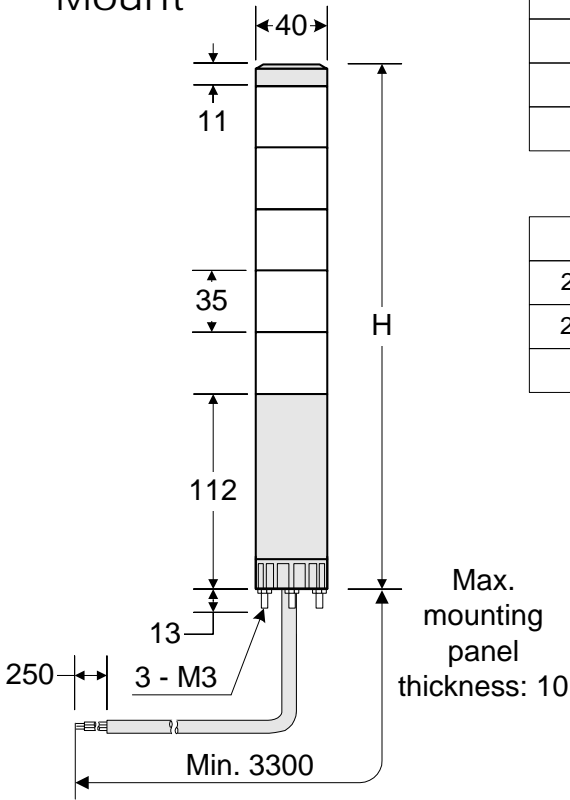
SIZE:	40mm diameter
INPUT VOLTAGE	AC/DC24V
OPTIONS:	
FUNCTIONS	- Continuous only
AVAILABLE:	- Continuous, Flashing, Alarms
MOUNTING OPTIONS:	- Pole mount: with 300mm steel pole, SZ-012 angle bracket, 2 nuts, 2 washers - Direct mount: includes 3 mounting nuts
BODY STYLE:	- Pre-assembled, pre-wired - Interchangeable and stackable after purchase
BODY COLOR:	Gray
TIERS:	1-5 modules can be stacked
MODULE COLORS:	Red / Amber / Green / Blue / Clear
ALARMS (FB STYLE ONLY):	- Alarm 1: selectable, single-tone, intermittent (fast beep) alarm, 85dB (at 1m) - Alarm 2: selectable, single tone, intermittent (slow beep) alarm, 85dB (at 1m)
RATINGS:	- CE - UL Component Recognition (US) - UL Component Recognition (Canada) - RoHS
PROTECTION:	- IP-65 - Type 4 / 4X / 13 (indoor, direct-mount only)
CONTROL OPTIONS:	- Dry contact closure such as switches or relay contacts - Open-collector transistor (NPN or PNP for DC24V) - Direct voltage control for DC24V, continuous and alarm functions only

PART NUMBER GUIDE

L C E - 5 0 2 U F B W - R Y G B C		Top to Bottom
1. Series	LCE : 40mm diameter	6. Lens Color
2. No. of Modules Stacked	1 to 5	5. Pole Options
3. Rated Voltage	02 : AC/DC24V	Blank : Pole-mount
4. Tower Style	U : Silver body color	W : Direct-mount
		Blank : Continuous only
		FB : Continuous / Flashing / Alarms

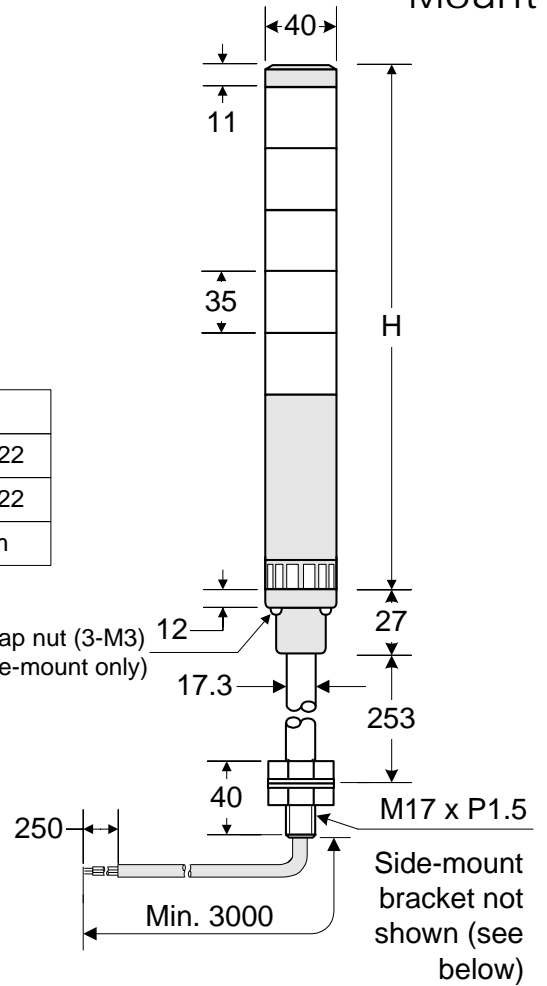
Pole Mount

Direct Mount

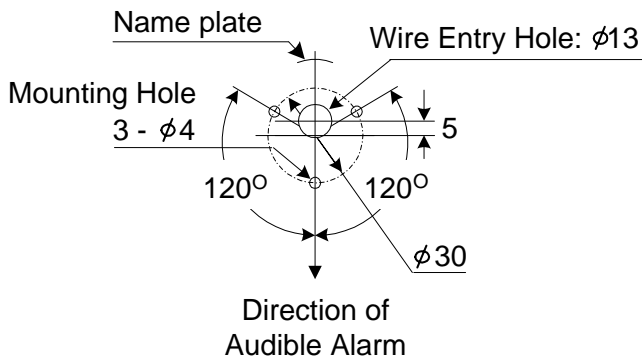


Tower Height [H]
1 Light : 158
2 Lights : 193
3 Lights : 228
4 Lights : 263
5 Lights : 298

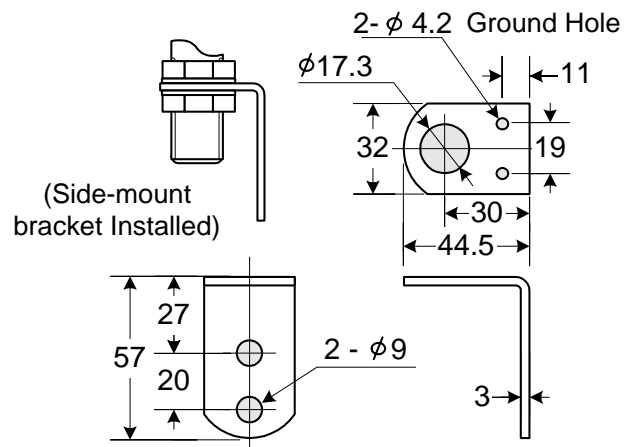
Wire Size Chart	
24V: Signal Wires	AWG22
24V: Power Wires	AWG22
Cable O.D.	8mm



Mounting Dimensions



Side-mount Bracket (Supplied)



Specifications

LCE-U

Input Voltage		Options		AC/DC24V						
		Rated Voltage		AC/DC24V (50-60 Hz)						
		Operating Voltage		Rated Voltage + or - 10%						
Operating temperature Range		-25°C ~ +60°C								
Relative Humidity		Less than 90%								
Flashing Cycle ("FB" styles only)		60 + or - 12 flashes per minute								
Alarm Sound Level ("FB" styles only)		Max: 85 + or - 4dB (at 1m) Min: 70 + or - 4dB (at 1m)								
Alarm Sound Description ("FB" styles only)		Intermittent, single-tone; Alarm 1: fast beep, Alarm 2: slow beep								
Mounting Location Options		Indoor use only								
Mounting Direction Options		Upright only								
Protection Rating		IP-65								
Vibration		19.6m/s ² (30Hz) (2 hours each: front-back, right-left, up-down)								
Insulation Resistance		More than 1 Megohm between terminals and chassis at DC500V								
Withstand Voltage (AC/DC24V)		AC500V applied between terminals and chassis for 1 minute without breaking insulation								
Luminous Intensity (mcd = millicandela)		Red	Amber	Green	Blue	Clear				
		760mcd	830mcd	1290mcd	210mcd	400mcd				
Applicable Standards		CE	EN60958-1: 1993							
		UL	UL Component Recognition per UL-508 (File No. E215660)							
		RoHS	RoHS Directive 2005/95/EC							
Power Consumption		Red	Amber	Green	Blue	Clear	Steady	Inrush	Steady	Inrush
AC/DC24V	Current (mA @ 24V)	28	28	22	23	23	40	250	40	250
	Watts	0.7	0.7	0.6	0.6	0.6	1.0	-----	1.0	-----
Contact Capacity (I _s = current capacity; V _s = withstand voltage; V _c = dielectric breakdown voltage; I _L = leakage current)										
AC/DC24V			Contact Capacity				Transistor Capacity (NPN and PNP)			
	LED Light Module		I _s >= 100mA; V _s >= AC35V				I _c >= 100mA; V _c >= 35V			
	Alarm		I _s >= 300mA; V _s >= AC35V				I _c >= 300mA; V _c >= 35V			
	Power Supply		I _s >= 500mA; V _s >= AC35V							
Leakage Current		I _L = 0.1mA or less								
Fuse (not included)		1A (250V)								