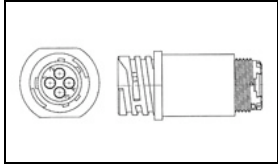


## 796096-2 Product Details



**796096-2**

TE Internal Number: 796096-2



### CPC (Circular Plastic) and Circular Metal-Shell Connectors

 Always EU RoHS/ELV Compliant (Statement of Compliance)

#### Product Highlights:

- Housing
- Connector Style = Receptacle
- 4 Positions
- 4 Signal Positions
- 0 Power Positions

### Documentation & Additional Information

#### Product Drawings:

- [RECEPTACLE ASSEMBLY, 11-4, STANDARD SEX, SERIES I, S...](#) (PDF, English)

#### Catalog Pages/Data Sheets:

- [AMP Circular Connectors for Commercial Signal & Powe...](#) (PDF, English)

#### Product Specifications:

- None Available

#### Application Specifications:

- None Available

#### Instruction Sheets:

- None Available

#### CAD Files: (CAD Format & Compression Information)

- [2D Drawing](#) (DXF, Version 0)
- [3D Model](#) (IGES, Version 0)
- [3D Model](#) (STEP, Version 0)

#### Related Products:

- [Tooling](#)

### Product Features (Please use the Product Drawing for all design activity)

#### Product Type Features:

- Connector Type = Housing
- Mount Angle = Straight
- Shell Size = 11
- Shell Type = All Plastic
- Product Series = Series 1
- Thread Size = 5/8 - 24 UNEF-2A
- Sealed = Yes

#### Mechanical Attachment:

- Mount = Free Hanging
- Mating Retention Type = Threaded Coupling

#### Termination Features:

- Seal Type = Peripheral, Wire Entry

#### Contact Features:

- Contact Type = Pin
- Reverse Gender = Standard

#### Housing Features:

- Connector Style = Receptacle
- Mating Alignment Type = Keyed
- Housing Material = Nylon
- Housing Color = Black

#### Configuration Features:

- Number of Positions = 4
- Number of Signal Positions = 4
- Number of Power Positions = 0
- Environmental Protection = With
- Reverse Numbering = Without

#### Industry Standards:

- VDE Tested = No
- RoHS/ELV Compliance = RoHS compliant, ELV compliant
- Lead Free Solder Processes = Not relevant for lead free process
- RoHS/ELV Compliance History = Always was RoHS compliant

#### Environmental:

- Fluid Resistance = Immersion

#### Other:

- Brand = AMP

4

3

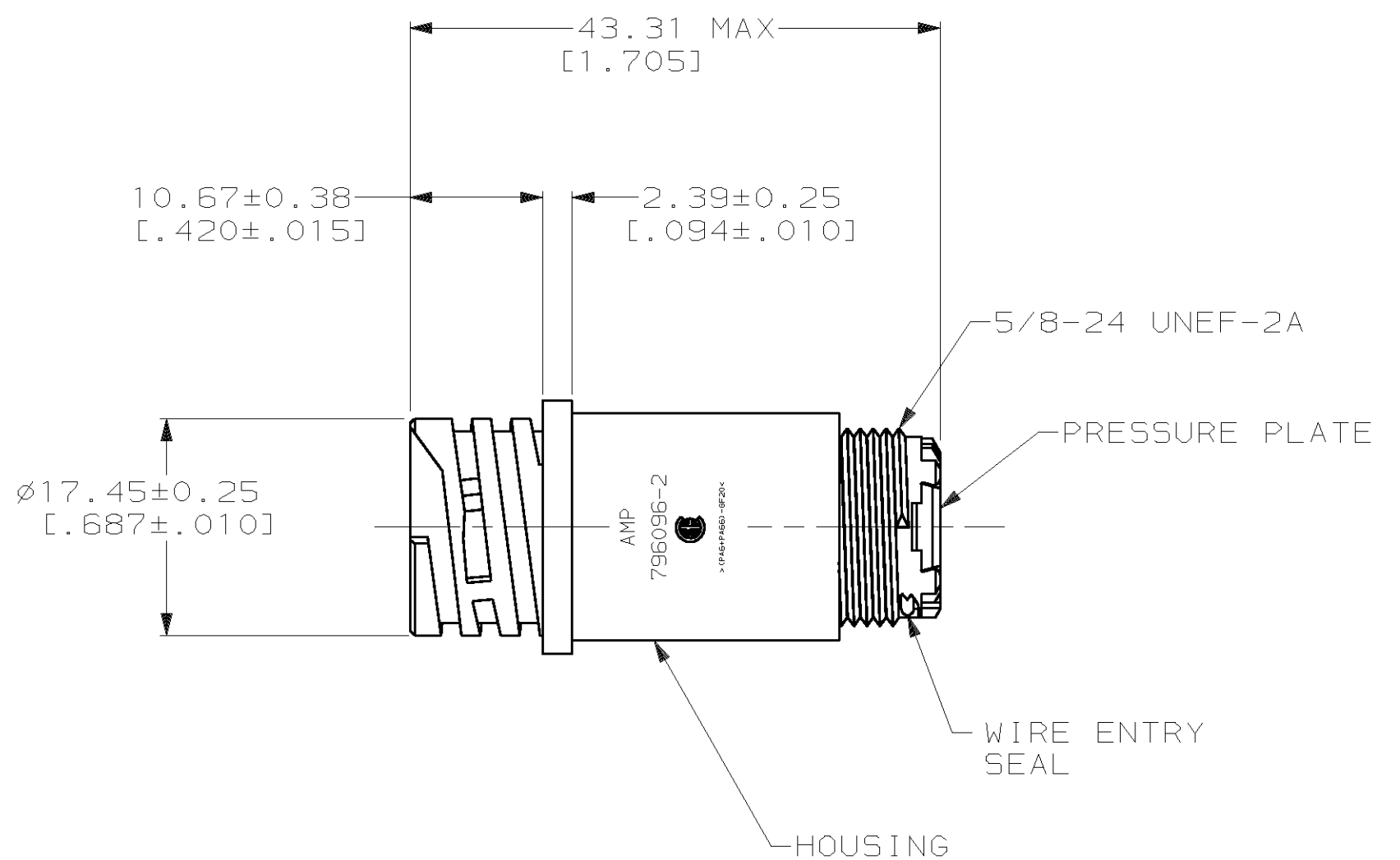
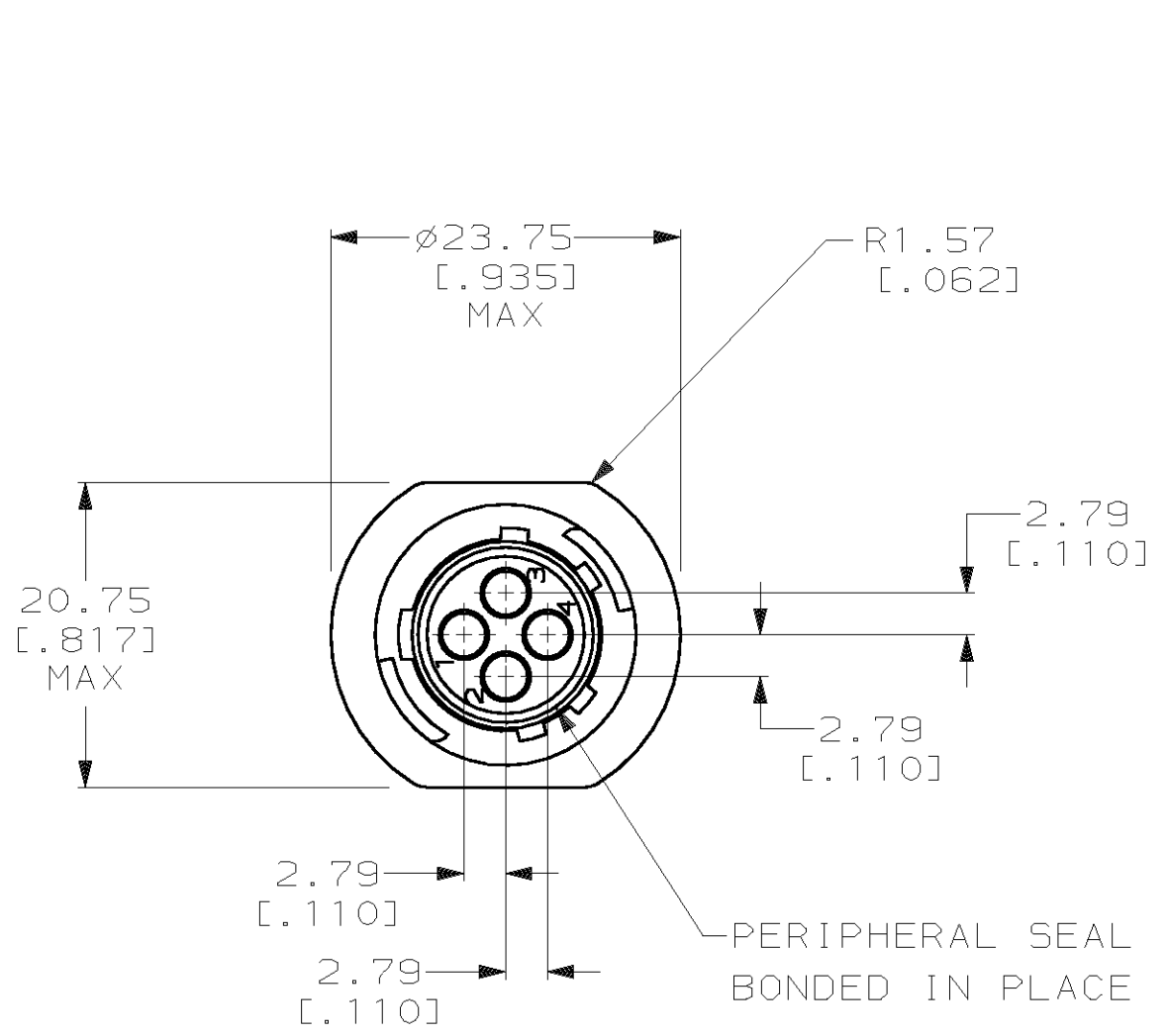
2

1

THIS DRAWING IS UNPUBLISHED. RELEASED FOR PUBLICATION, 19 .

© COPYRIGHT 19 BY AMP INCORPORATED. ALL RIGHTS RESERVED.

LOC	DIST	REVISIONS			
P	LTR	DESCRIPTION	DATE	DWN	APVD
FT	4				
		0	RELEASED PER NPR 5710 WAS 98-7970-13-4	24 SEP 98	-



- THIS PART WILL ACCEPT FOUR (4) MULTIMATE PIN CONTACTS.
- HOUSING AND PRESSURE PLATE: NYLON, BLACK.  
PERIPHERAL SEAL: ELASTOMER, GRAY.  
WIRE ENTRY SEAL: ELASTOMER, RED-IRON OXIDE.

796096-2  
PART NUMBER

THIS DRAWING IS A CONTROLLED DOCUMENT.		DWN C. DORWART 24 SEP 98	<b>AMP</b> AMP Incorporated Harrisburg, PA 17105-3608
DIMENSIONS: mm [INCHES]		CHK R. WALTER 24 SEP 98	
TOLERANCES UNLESS OTHERWISE SPECIFIED:		APVD R. WALTER 24 SEP 98	NAME RECEPTACLE ASSEMBLY, 11-4, STANDARD SEX, SERIES I, SEALED, CIRCULAR PLASTIC CONNECTOR
MATERIAL		PRODUCT SPEC -	SIZE A3
FINISH -		APPLICATION SPEC -	CAGE CODE 00779
WEIGHT -		RESTRICTED TO -	DRAWING NO C- 796096
CUSTOMER DRAWING		SCALE 2:1	SHEET 1 OF 1
		REV 0	