

206153-2 Product Details

[Share](#) [Print](#) [Email](#)



206153-2

TE Internal Number: 206153-2

Active

[View 3D PDF](#)

CPC (Circular Plastic) and Circular Metal-Shell Connectors

Always EU RoHS/ELV Compliant (Statement of Compliance)

Product Highlights:

- Housing
- Connector Style = Receptacle
- 4 Positions
- 4 Signal Positions
- 0 Power Positions

[View all Features](#)

Quick Links

- ▶ [Pricing & Availability](#)
- ▶ [Search for Tooling](#)
- ▶ [View Mating Products \(1\)](#)
- ▶ [Product Feature Selector](#)
- ▶ [Contact Us About This Product](#)

[Add to My Part List](#) [Request Sample](#) [Find Similar Products](#) [Buy Product](#)

Documentation & Additional Information

Product Drawings:

- [RECEPTACLE HOUSING, STANDARD SEX, SHELL SIZE 11, CPC \(PDF, English\)](#)

Catalog Pages/Data Sheets:

- [AMP Circular Connectors for Commercial Signal & Powe... \(PDF, English\)](#)

Product Specifications:

- None Available

Application Specifications:

- [Circular Plastic Connectors \(CPC\) \(PDF, English\)](#)

Instruction Sheets:

- None Available

CAD Files: ([CAD Format & Compression Information](#))

- [2D Drawing \(DXF, Version G\)](#)
- [3D Model \(IGES, Version G\)](#)
- [3D Model \(STEP, Version G\)](#)

[List all Documents](#)

Additional Product Images:

- [Contact Arrangement](#)

Related Products:

- [Tooling](#)
- [Mating Products \(1\)](#)

Product Features (Please use the Product Drawing for all design activity)

Product Type Features:

- Connector Type = Housing
- Mount Angle = Straight
- Shell Size = 11
- Shell Type = All Plastic
- Product Series = Series 1
- Thread Size = 5/8 - 24 UNEF-2A
- Sealed = Yes

Mechanical Attachment:

- Mount = Free Hanging
- Mating Retention Type = Threaded Coupling

Termination Features:

- Seal Type = Peripheral

Contact Features:

- Contact Type = Pin
- Reverse Gender = Standard

Housing Features:

- Connector Style = Receptacle
- Mating Alignment Type = Keyed
- Housing Material = Thermoplastic - GF
- Housing Color = Black
- UL Flammability Rating = UL 94V-0

Configuration Features:

- Number of Positions = 4
- Number of Signal Positions = 4
- Number of Power Positions = 0
- Environmental Protection = With
- Reverse Numbering = Without

Industry Standards:

- VDE Tested = No
- RoHS/ELV Compliance = RoHS compliant, ELV compliant
- Lead Free Solder Processes = Not relevant for lead free process
- RoHS/ELV Compliance History = Always was RoHS compliant

Identification Marking:

- Keying = A

Environmental:

- Fluid Resistance = Immersion

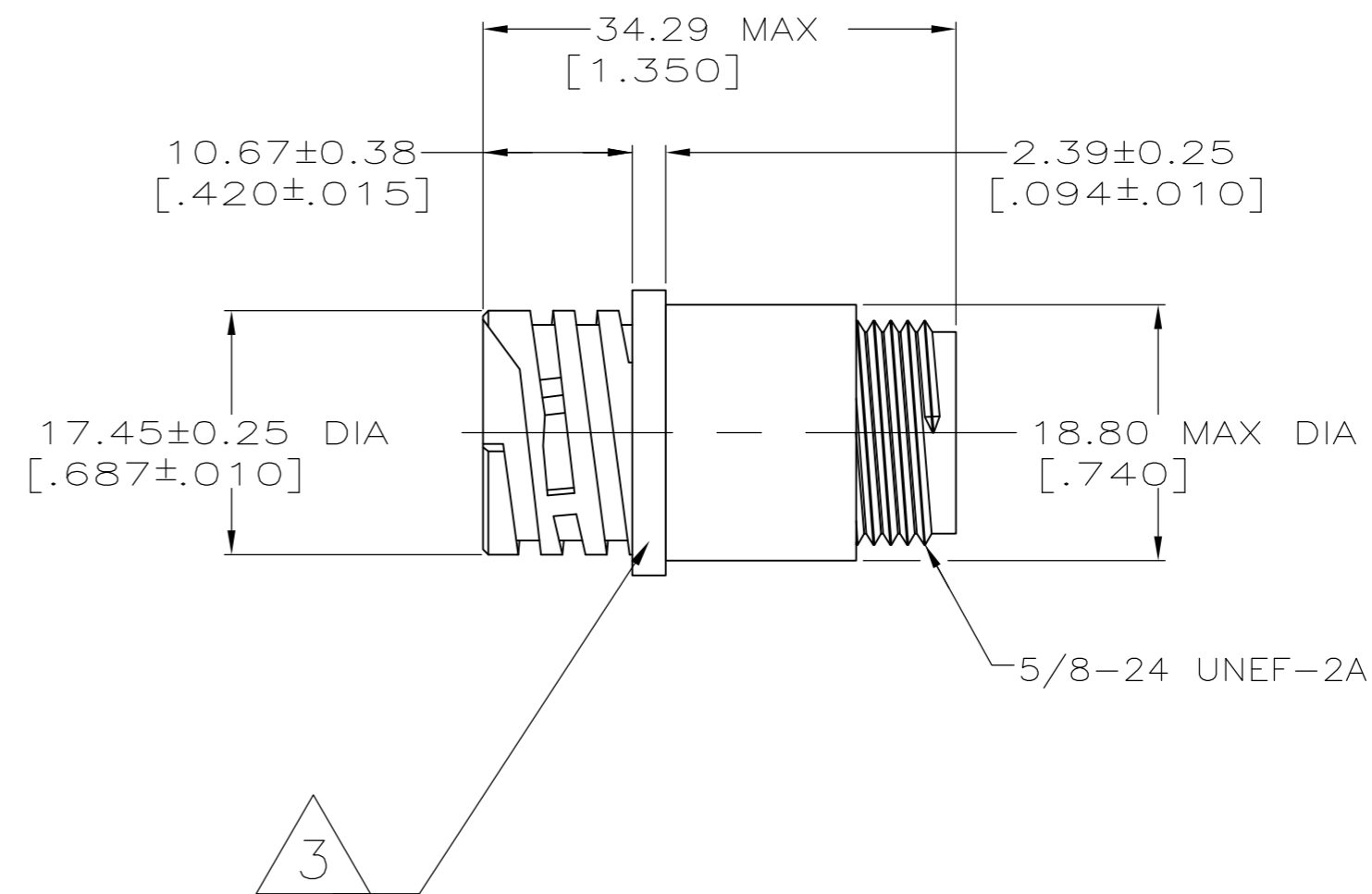
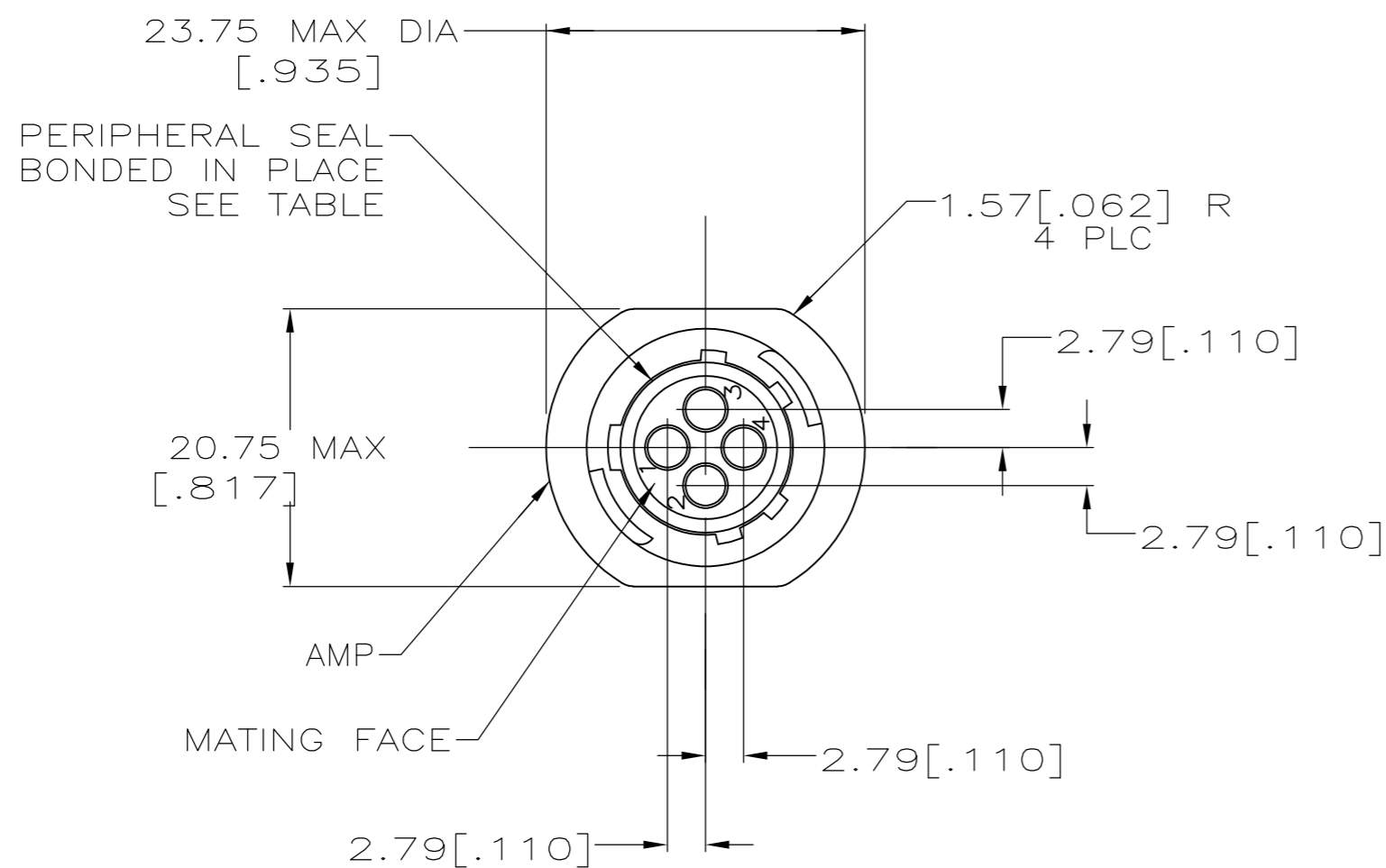
Other:

- Brand = AMP

THIS DRAWING IS UNPUBLISHED. RELEASED FOR PUBLICATION
 © COPYRIGHT - By - ALL RIGHTS RESERVED.

LOC	DIST	REVISIONS			
P	LTR	DESCRIPTION	DATE	DWN	APVD
BD	35	G2	REVISED PER ECO-13-000918	17JAN13	KH MZ

- 1 CAVITY IDENTIFICATION ON FRONT AND REAR FACE.
- 2 RECEPTACLE WILL ACCEPT FOUR (4) MULTIMATE PIN CONTACTS.
- 3 206153-1 MOLDED INTO HOUSING ON THIS SURFACE, ORIENTATION OPTIONAL.



YES	206153-2
NO	206153-1
PERIPHERAL SEAL	PART NO

THIS DRAWING IS A CONTROLLED DOCUMENT.		DWN	D.HARDY	05/18/94	 TE Connectivity RECEPTACLE HOUSING, STANDARD SEX, SHELL SIZE 11, CPC
DIMENSIONS: MM [INCHES]		CHK	R.STONE	05/20/94	
TOLERANCES UNLESS OTHERWISE SPECIFIED:		APVD	A.FRANTUM	07/12/94	
0 PLC ± - 1 PLC ± - 2 PLC ± 0.13 [.005] 3 PLC ± - 4 PLC ± - ANGLES ± -		PRODUCT SPEC	108-10024	NAME	
MATERIAL	NYLON, BLACK	FINISH	-	WEIGHT	-
CUSTOMER DRAWING		SCALE	2:1	SHEET	1 OF 1
		REV	G2	RESTRICTED TO	