



CONTACTOR, AC-3 30 KW/400 V,
AC 110V 50HZ/120V 60HZ 3-POLE, SIZE S3,
SCREW CONNECTION

General technical data:

product brand name		SIRIUS
Size of the contactor		S3
Protection class IP / on the front		IP20
Degree of pollution		3
Installation altitude / at a height over sea level / maximum	m	2,000
Ambient temperature / during operating	°C	-25 ... +60
Mechanical operating cycles as operating time		
<ul style="list-style-type: none"> • of the contactor / typical 		10,000,000
<ul style="list-style-type: none"> • of the contactor with added auxiliary switch block / typical 		10,000,000
<ul style="list-style-type: none"> • of the contactor with added electronics-compatible auxiliary switch block / typical 		5,000,000

Main circuit:

Number of NC contacts / for main contacts		0
Number of NO contacts / for main contacts		3
Operating current		
<ul style="list-style-type: none"> • at AC-1 / at 400 V <ul style="list-style-type: none"> • at 40 °C ambient temperature / rated value 	A	100
<ul style="list-style-type: none"> • at 60 °C ambient temperature / rated value 	A	90
<ul style="list-style-type: none"> • at AC-3 / at 400 V / rated value 	A	65

• at AC-4 / at 400 V / rated value	A	55
• with 1 current path / at DC-1		
• at 24 V / rated value	A	90
• at 110 V / rated value	A	4.5
• with 2 current paths in series / at DC-1		
• at 24 V / rated value	A	90
• at 110 V / rated value	A	90
• with 3 current paths in series / at DC-1		
• at 24 V / rated value	A	90
• at 110 V / rated value	A	90
• with 1 current path / at DC-3 / at DC-5		
• at 24 V / rated value	A	40
• at 110 V / rated value	A	2.5
• with 2 current paths in series / at DC-3 / at DC-5		
• at 24 V / rated value	A	90
• at 110 V / rated value	A	90
• with 3 current paths in series / at DC-3 / at DC-5		
• at 24 V / rated value	A	90
• at 110 V / rated value	A	90
Service power		
• at AC-2 / at 400 V / rated value	kW	30
• at AC-3 / at 400 V / rated value	kW	30
• at AC-4 / at 400 V / rated value	W	30,000
Active power loss / per conductor / typical	W	4.6

Control circuit:

Type of voltage / of the controlled supply voltage		AC
Control supply voltage / 1		
• at 50 Hz / for AC		
• rated value	V	110
• at 60 Hz / for AC		
• rated value	V	120
Operating range factor control supply voltage rated value / of the magnet coil		
• at 50 Hz		
• for AC		0.8 ... 1.1
• at 60 Hz		
• for AC		0.8 ... 1.1
Apparent pull-in power / of the solenoid / for AC	V·A	232
Apparent holding power / of the solenoid / for AC	V·A	20

Inductive power factor / with the pull-in power of the coil		0.55
Inductive power factor / with the pull-in power of the coil		0.28

Auxiliary circuit:

Contact reliability / of the auxiliary contacts		1 faulty switching per 100 million (17 V, 1 mA)
Number of NC contacts / for auxiliary contacts / instantaneous switching		0
Number of NO contacts / for auxiliary contacts / instantaneous switching		0
Operating current / of the auxiliary contacts		
• at AC-12 / maximum	A	10
• at AC-15		
• at 230 V	A	6
• at 400 V	A	3
• at DC-12		
• at 60 V	A	6
• at 110 V	A	3
• at 220 V	A	1
• at DC-13		
• at 24 V	A	10
• at 60 V	A	2
• at 110 V	A	1
• at 220 V	A	0.3

Short-circuit:

Design of the fuse link		
• for short-circuit protection of the auxiliary switch / required		fuse gL/gG: 10 A
• for short-circuit protection of the main circuit		
• with type of assignment 1 / required		fuse gL/gG: 250 A
• at type of coordination 2 / required		fuse gL/gG: 125 A

Installation/mounting/dimensions:

Type of mounting		screw and snap-on mounting onto 35 mm and 75 mm standard mounting rail
series installation		Yes
Width	mm	70
Height	mm	146
Depth	mm	139
Distance, to be maintained, to earthed part / sideways	mm	6

Connection type:

Design of the electrical connection		
-------------------------------------	--	--

- for main current circuit
- for auxiliary and control current circuit

screw-type terminals
screw-type terminals

Certificates/approvals:

General Product Approval

Functional Safety / Safety of Machinery

Declaration of Conformity



[Type Examination](#)



Test Certificates

[Special Test Certificate](#)

Shipping Approval



other

[Confirmation](#)

[other](#)

[Environmental Confirmations](#)

Further information:

Information- and Downloadcenter (Catalogs, Brochures,...)

<http://www.siemens.com/industrial-controls/catalogs>

Industry Mall (Online ordering system)

<http://www.siemens.com/industrial-controls/mall>

Cax online generator:

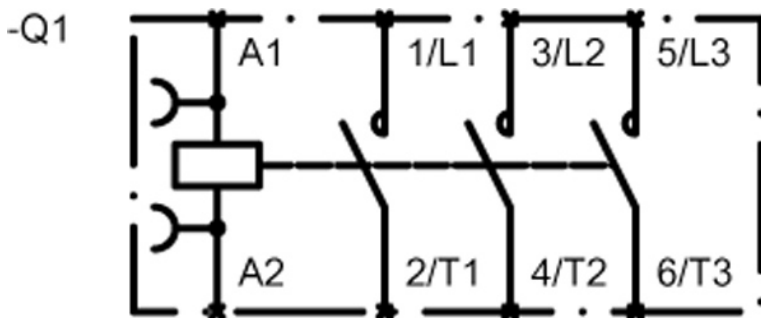
<http://www.siemens.com/cax>

Service&Support (Manuals, Certificates, Characteristics, FAQs,...)

<http://support.automation.siemens.com/WW/view/en/3RT1044-1AK60/all>

Image database (product images, 2D dimension drawings, 3D models, device circuit diagrams, ...)

http://www.automation.siemens.com/bilddb/cax_en.aspx?mlfb=3RT1044-1AK60



last change:

Jun 28, 2012