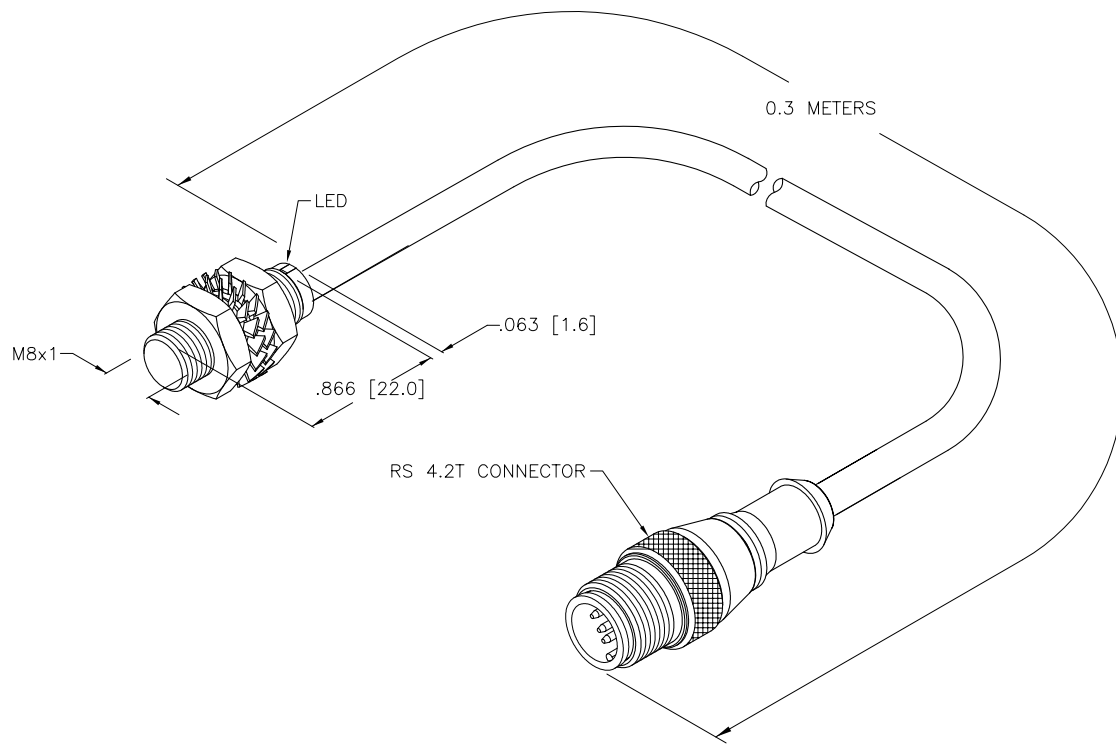


SPECIFICATIONS

RATED OPERATING DISTANCE	2.0 mm = .079" (NOMINAL)
MOUNTING MODE	FLUSH
TEMPERATURE DRIFT	≤ ± 10%
HYSTERESIS (SWITCHING DISTANCE)	1-15%
MIN. REPEAT ACCURACY	≤ 2%
OPERATING TEMPERATURE	-25°C to +70°C (-13°F to +158°F)
OUTPUT FUNCTION	2-WIRE, NORMALLY OPEN
RATED OPERATIONAL VOLTAGE	10-55 VDC
RIPPLE	≤ 10%
RATED OPERATIONAL CURRENT	≤ 100 mA
MAX OFF-STATE CURRENT	≤ 0.6 mA
RATED INSULATION VOLTAGE	≤ 0.5 kV
SHORT-CIRCUIT PROTECTED	YES
MAX VOLTAGE DROP	≤ 3.5 V
MAX. SWITCHING FREQUENCY	≤ 1.0 kHz
HOUSING MATERIAL	METAL, A4 1.4404 (AISI 316L)
ACTIVE FACE	PLASTIC, PA12-GF20
END CAP	PLASTIC, PP
CABLE	∅4.0, LIFYY, PVC
SHOCK RESISTANCE	30 g, 11 ms
VIBRATION RESISTANCE	55 Hz, 1 mm AMPLITUDE (IN ALL 3 PLANES)
DEGREE OF PROTECTION	IP67
SWITCHING STATUS INDICATION	LED: YELLOW



SOURCE DRAWING - FOR REFERENCE ONLY

NOTES:

1. "/S1589" DESIGNATES WELDGUARD FRONT FACE.

RELATED DOCUMENTS		3RD ANGLE PROJECTION		THIS DRAWING IS PROPERTY OF TURCK INC. USE OF THIS DOCUMENT WITHOUT WRITTEN PERMISSION IS PROHIBITED.		<b>TURCK INC</b> High Technology Sensors and Automation Controls 3000 CAMPUS DRIVE MINNEAPOLIS, MN 55441 1-800-544-7769 (763) 553-7300 (763) 553-0708 fax turck.com		
1.			ALL DIMENSIONS DISPLAYED ON THIS DRAWING ARE FOR REFERENCE ONLY	DRFT	RDS	DATE	01/11/06	
2.				DSGN	BT	SCALE	1=1.0	
3.				UNIT OF MEASUREMENT		DESCRIPTION		
4.				INCH [ MILLIMETER ]		BI 2-EG08K-AG41X-0.3M-RS 4.2T/S1589		
MATERIAL		SEE NOTES		CONTACT TURCK FOR MORE INFORMATION		IDENTIFICATION NO.		
FINISH		SEE NOTES		DO NOT SCALE THIS DRAWING		S4562089-1		
C		UPDATE WIRING DIAGRAM		RDS		09/11/07 18880		
REV		DESCRIPTION		BY		DATE ECO NO.		
						FILE: S4562089-1		
						SHEET 1 OF 1		