

Datasheet

## RS Pro Magnetic Lock, 250N

RS Stock No: **739-3227**



### Product Details

RS Pro magnetic lock provides a holding force when de-energised and release when pulsed. This electromagnetic lock offers 250 N dynamic holding force capacity and is suitable for typical applications such as machine mechanisms, door/guard locking and remote hold/release requirements.

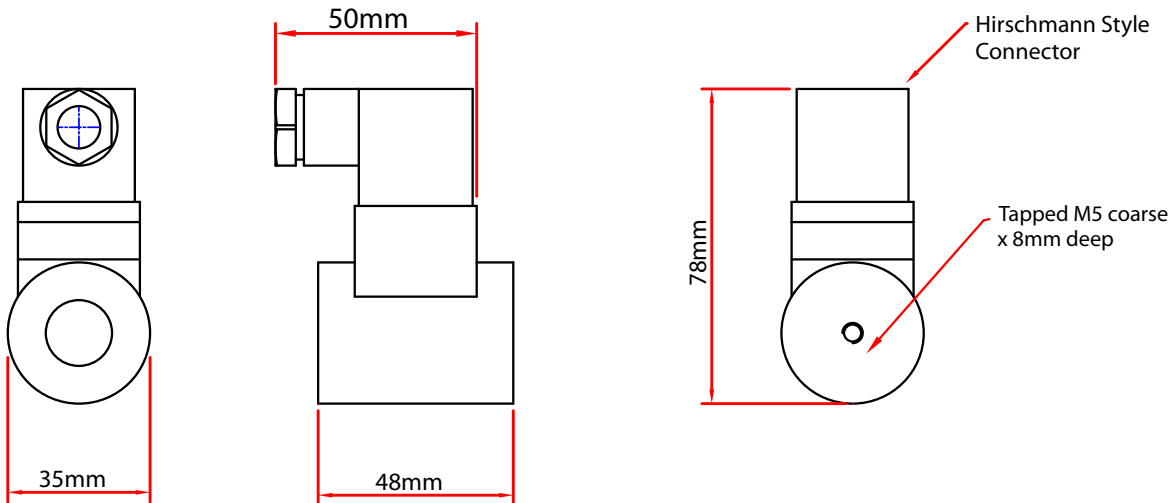
### Features and Benefits

- Holding force of 250 N
- Suitable for typical applications such as machine mechanisms, door/guard locking and remote hold/release requirements
- Provides a holding force when de-energised and release when pulsed

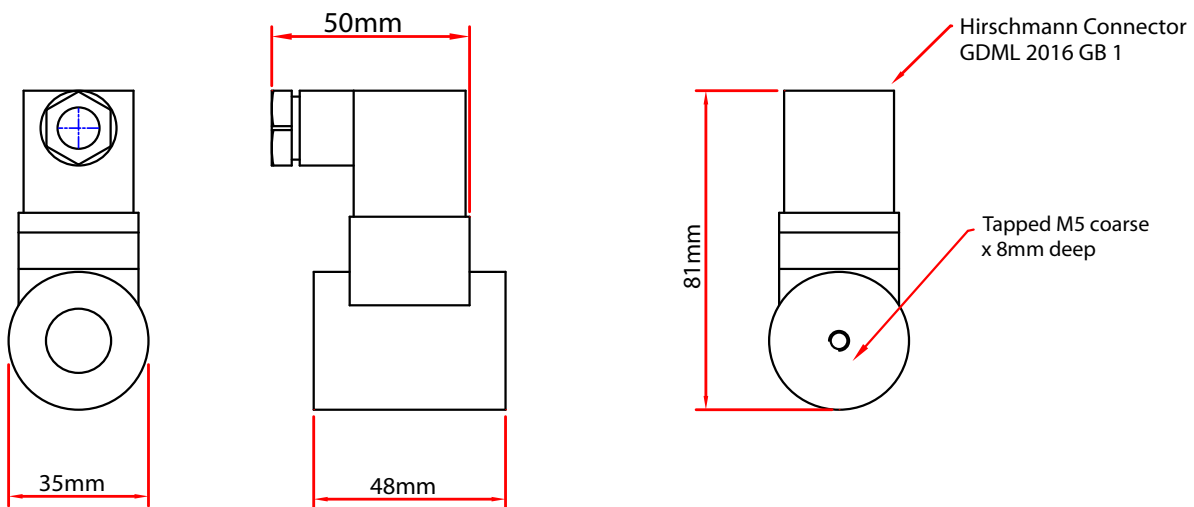
**Specifications:**

|                    |   |
|--------------------|---|
| AC or DC Operation | AC  |
| Diameter           | 35 mm   |
| Holding Force      | 250 N   |
| Length             | 81 mm   |
| Supply Voltage     | 240 V ac  |
| Application        | Machine Mechanisms, Door/Guard Locking & Remote Hold/Release Requirements |
| Current Rating     | 50 mA   |
| Finish             | Bright Nickel Plated with Machined Face                                   |
| IP Rating          | IP54  |
| Power Consumption  | 5.5 W   |
|                    |   |

# Dimensions



## 24VDC



## 240VAC