



VOLEX

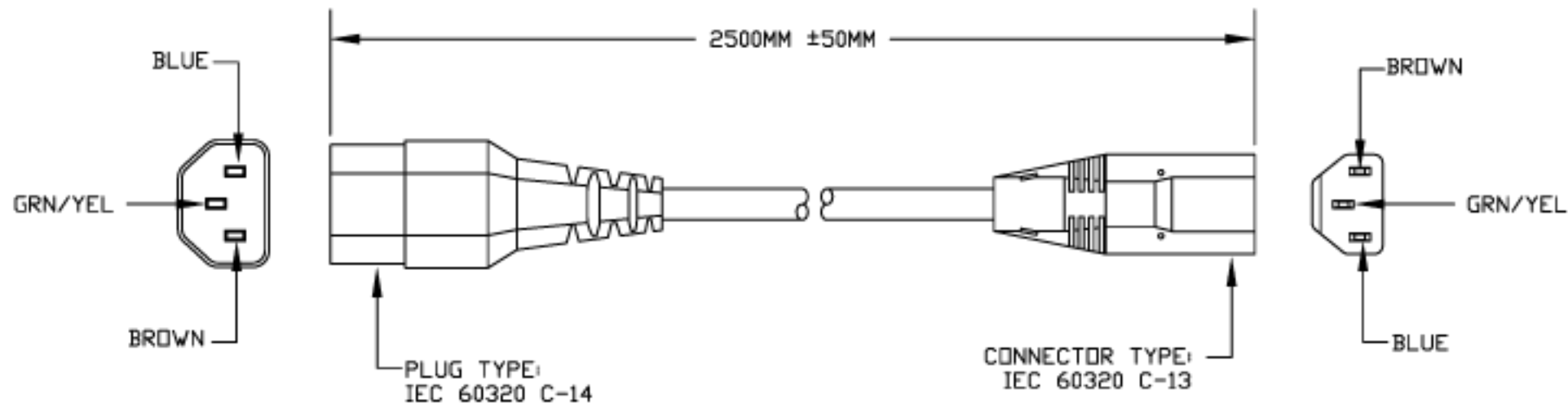
GROUP

Standard Cord Details: 2143H 10 C3



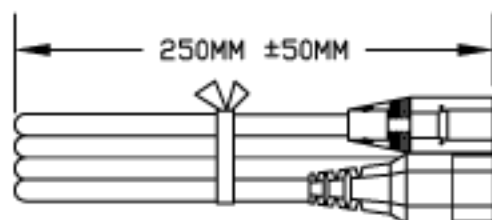
Specifications

Certifications	
Part Number	2143H 10 C3
Connector Type	C13
Plug Type	C14
Category	Plastic
Application	Jumper
Plug Catalog No.	
Connector Catalog No.	
Cable	H05VV-F 3x1.00 + SJT AWG 18x3
Jacket Color	Black
Length in Feet	8.2'
Length in Meters	2.5
Temperature Rating	60C
Packaging Units Per Carton	B-50
Color Coding	international
Nominal OD in Inches	
Nominal OD in Millimeters	
Notes	See 2117H for 1.0 meter version. See 2118H for 1.5 meter version. See 2119H for 2.0 meter version. See 2102H for ROJ version.



VOLEX RESERVES THE RIGHT TO ALTER NON-CRITICAL DIMENSIONS WITHOUT NOTICE.

PACKAGING: FOLD & TIE



NOTES:

- 1) CORDAGE: HD5VVF3G1.00 SQ MM & 18/3 SJT/BLACK
- 2) APPROVALS: VDE, CEPEC, DVE, KEMA, DEMKO, IMG, SEMKO, FIMKO, ASTA, SEV, UL, & CSA
- 3) RATING: 10 AMP/250 VOLTS
- 4) CORDAGE O.D.: 2.82MM (REF)
- 5) PACKAGING: 50 PIECES/CARTON
- 6) ALL DIMENSIONS IN MILLIMETERS.

REV	DESCRIPTION	DATE
1	C.U.D - NEW RELEASE	12/07/04



- Indianapolis, IN
- Conover, N.C.
- Freemont, CA
- Aguascalientes, MX
- Tijuana, Mexico
- Hermosillo, MX
- Clinton, AR
- Kanata, Canada

Proprietary Notice:

This document is the property of Volex Incorporated. The information contained herein is not to be disclosed to anyone without the express written consent of Volex Inc.

MATERIAL:
PLUG: PVC-BLACK
JACKET: PVC-BLACK,
LEAD FREE

FINISH:
JACKET: SMOOTH

SCALE:
NOT TO
SCALE

ECD:
N/A

ITEM DESCRIPTION
CORDSET - ARGENTINA
JUMPER CORD (2.5 METERS)

TOLERANCE
UNLESS OTHERWISE
SPECIFIED
.XXX ± .005
.XX ± .02
.X ± .03
FRACT. ± 1/32
ANGULAR ± 1/2°

APPROVED
CR

DRAWN BY
MAF

DATE:
12/07/04

PART NO.

2143H 10 C3