

HBL2731 -- Twist-Lock Plug

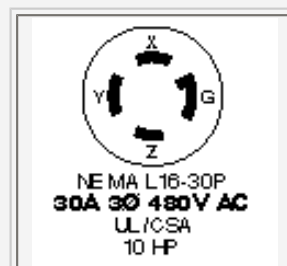


3P4W, 30A 3PH 480V, L16-30P, Black & White Nylon

Product Specifications

Product Type	 <p style="text-align: center;">Twist-Lock Devices</p>
Product Item	Plug
Wiring Scheme	3 Pole, 4 Wire Grounding
Amperage	30A
Voltage	3 Phase 480V AC
NEMA Configuration	L16-30P
Item Style	Insulgrip
Device Color	Black/White
Horsepower	10
Cord Dia.	.35"-1.15" (9-29)
Blade Holder Material	Natural White Nylon
Terminal Retainer Material	Clear polycarbonate
Housing Material	Black nylon
Cord Clamp Material	Natural (white) nylon

Blade Material	Brass
Terminal Clamp Material	.08" (2) steel-nickel plated
Terminal Screw Material	#10-32 Brass (white finish on neutral screw when used) Multi-drive
Ground Screw Material	#10-32 Brass (green finish) Multi-drive
Cord Clamp Screw Material	Steel, zinc plated Multi-drive
Body Holding Screw Material	Steel, zinc plated Multi-drive
Ratings	Molded into face
Catalog No.	Permanently ink marked on body.
Dielectric Voltage Withstand	2,000V minimum
Current Interrupting	Certified for current interrupting at full rated current
Temperature Rise	Max 30 C temperature rise at full rated current after 50 cycles of overload at 150% of rated current at a power factor of .75.
Cord Accommodation	Round portable service cords of diameters commensurate with the device rating as defined in UL Standard 62, CSA C22.2 No. 49.
Terminal Accommodation	30A #10 AWG
Terminal Identification	Terminals identified in accordance with UL 498 (X, Y, Z, White, Green)
Flammability	HB or better per UL 94 or CSA 22.2 No. 0.6
Operating Temperatures	Maximum Continuous 75 C Minimum -40 C (w/o impact)
Moisture Resistance	IP20
Listings	FED SPEC UL/CSA
Catalog Page	Click here for catalog page B43
Brochures	Click here for product brochure
Hubbellnet	Click here for Hubbellnet
Catalog Section	Click here for Section-B
UPC Number	78358503931
Weight in LBs	0.3



NEMA
Configuration



TWIST-LOCK® Devices

3 Pole, 4 Wire Grounding

30 Ampere, 3Ø 480 and 3Ø 600 Volts AC

Receptacles, INSULGRIP® Connector Bodies, Flanged Devices and Plugs



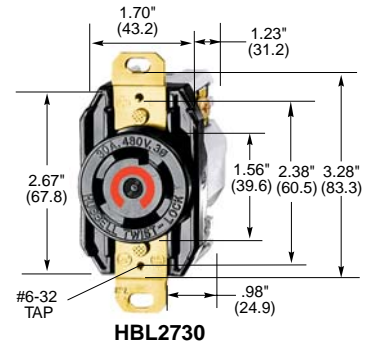
NEMA L16-30R
30A 3Ø 480V AC
UL/CSA
10 HP



NEMA L17-30R
30A 3Ø 600V AC
UL/CSA

Single Flush Receptacles, Back and Side Wired

Description	Catalog Numbers	
Black nylon face. Not Fed Spec.	HBL2730	HBL2740



Insulgrip Connector Bodies IP20 SUITABILITY

Description	Catalog Numbers	
Black and white nylon.	HBL2733	HBL2743
Corrosion resistant, yellow nylon.	HBL27CM33	HBL27CM43

Note: Cord clamp range .35"-1.15" (9-29).



Insulgrip Flanged Receptacles

Description	Catalog Numbers	
Nylon casing, back wired.	HBL2736	HBL2746



NEMA L16-30P
30A 3Ø 480V AC
UL/CSA
10 HP



NEMA L17-30P
30A 3Ø 600V AC
UL/CSA

Insulgrip Plugs IP20 SUITABILITY

Description	Catalog Numbers	
Black and white nylon.	HBL2731	HBL2741
Corrosion resistant, yellow nylon.	HBL27CM31	HBL27CM41

Notes: Cord clamp range .35"-1.15" (9-29).
See page B-73 for Add-A-Shroud™ kit.



Insulgrip Flanged Inlets

Description	Catalog Numbers	
Nylon casing, backwired.	HBL2735	HBL2745

Notes: HP ratings listed above are AC only.
See pages B-70 and B-71 for accessories.
Only receptacles and plugs are HP rated and up to 480V AC only.
For technical information see page B-83.
See page B-63 for a switched enclosure.

